



Turn to the experts



VRF System

Your VRF System of Choice

Contact us today for more information
or to talk to a distributor

www.carrier.com

Carrier is committed to continuously improving its products to ensure the highest quality and reliability standards, and to meet local regulations and market requirements. All features and specifications are subject to change without prior notice.

07/2021

1-C-VRF-073021-EN-4-SAP





OUR LEGACY 003

VRF SYSTEMS 011

PRODUCT LINEUP 015

OUTDOOR UNITS LINEUP 015

INDOOR UNITS LINEUP 017

CONTROLLER UNITS LINEUP 019

OUTDOOR UNITS 021

TOP DISCHARGE 023

SIDE DISCHARGE 041

INDOOR UNITS 059

ONE-WAY CASSETTE 065

TWO-WAY CASSETTE 069

COMPACT FOUR-WAY CASSETTE 073

FOUR-WAY CASSETTE 077

ROUND-WAY CASSETTE 081

SLIM DUCT 087

STANDARD STATIC DUCT (50/100PA) 091

STANDARD STATIC DUCT (20/200PA) 095

MEDIUM STATIC DUCT (50/120PA) 099

HIGH STATIC DUCT(100/196PA) 103

HIGH STATIC DUCT(0/200PA) 107

HIGH WALL 113

TWO-WAY CONSOLE 117

CONSOLE-RECESSED 121

FLEX CEILING FLOOR (DC MOTOR) 123

OUTSIDE AIR UNIT 129

HRV 133

AHU DX KITS CONNECTION..... 137

TA CONTROL TYPE 139

DDC CONTROL TYPE..... 141

UNIT STRUCTURE..... 143

CONTROLLER 145

INDIVIDUAL CONTROLLER 151

CENTRALIZED CONTROLLER 153

BMS 157

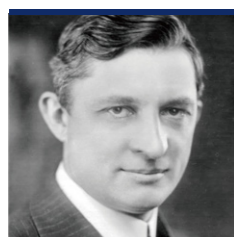
ACCESSORIES 169

HEAT PUMP - ODU PIPING 171
CONNECTION ACCESSORIES

HEAT PUMP - IDU PIPING 172
CONNECTION ACCESSORIES

CARRIER'S HERITAGE: THE INVENTION THAT CHANGED THE WORLD

On July 17, 1902, Willis Carrier designed the first modern air-conditioning system to solve a production problem at the Sackett & Wilhelms printing plant in Brooklyn, New York, launching an industry that would fundamentally improve the way we live, work and play.



Willis Carrier applied for a patent on his invention, an "Apparatus for Treating Air." He had invented the world's first spray-type air conditioning equipment, able to both wash and humidify or dehumidify air. Modern air conditioning now had its fundamental building block.



Carrier hires America's first woman air-conditioning engineer, right around the time that the decision to allow U.S. women the right to vote was being debated by lawmakers.



1904

1917

1926

1998

1911

1922

1931

2016

Willis Carrier's Rational Psychrometric Formulae brought science to what had been the often hit-or-miss design of air-conditioning systems, and in the process made Carrier an international name.



Carrier unveiled the first centrifugal chiller, which opened the door to large-scale comfort air-conditioning.



Carrier introduces the first home air conditioner.

Willis Carrier is named one of Time magazine's "100 Most Influential People of the Century."

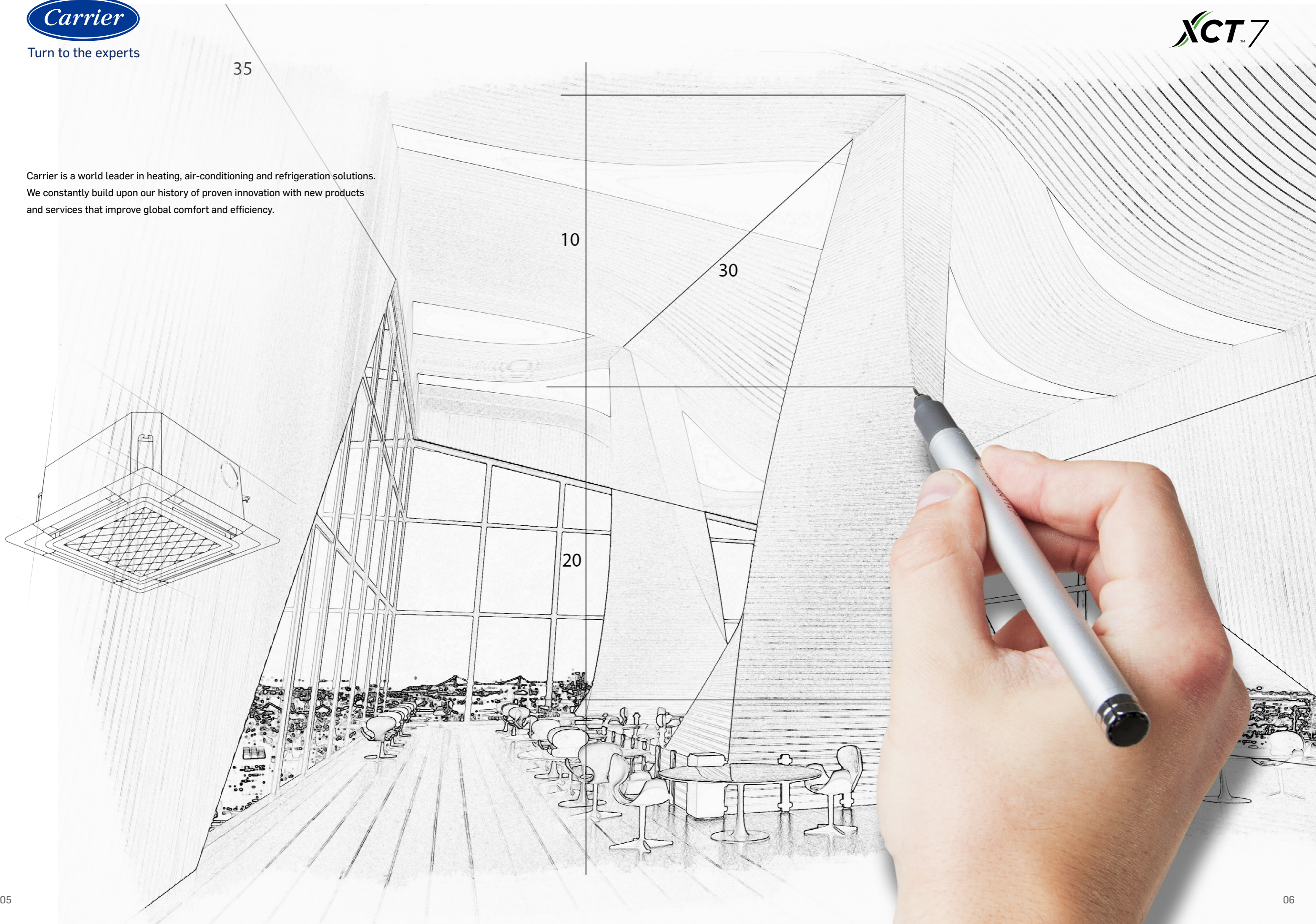
The M.V. Victoria became the first vessel to make its maiden voyage equipped with Carrier air conditioning.



Construction began on the Center for Intelligent Buildings Carrier Global Corporation Headquarters.

35

Carrier is a world leader in heating, air-conditioning and refrigeration solutions. We constantly build upon our history of proven innovation with new products and services that improve global comfort and efficiency.



Understanding VRF Systems

SETTING THE STANDARD FOR FLEXIBILITY, EFFICIENCY & PERFORMANCE

Variable Refrigerant Flow (VRF) systems are large-scale ductless HVAC systems performing at high capacity. VRF technology has the unmatched ability for multiple indoor units or zones to operate on the same outdoor system.

It is a multi-outdoor-units solution that carefully computes the precise amount of refrigerant required by each indoor unit to achieve individualized temperature control for each comfort zone.

Because of its flexibility, VRF systems can be customized to meet the specific demands of any project. It controls the refrigerant flow according to the heat load requirement to avoid over cooling or heating effectively.

Why Choose VRF Systems?



FLEXIBILITY

Whether you're looking to maximize comfort in a new building or retrofit an existing one, VRF systems join design flexibility with potential energy savings.



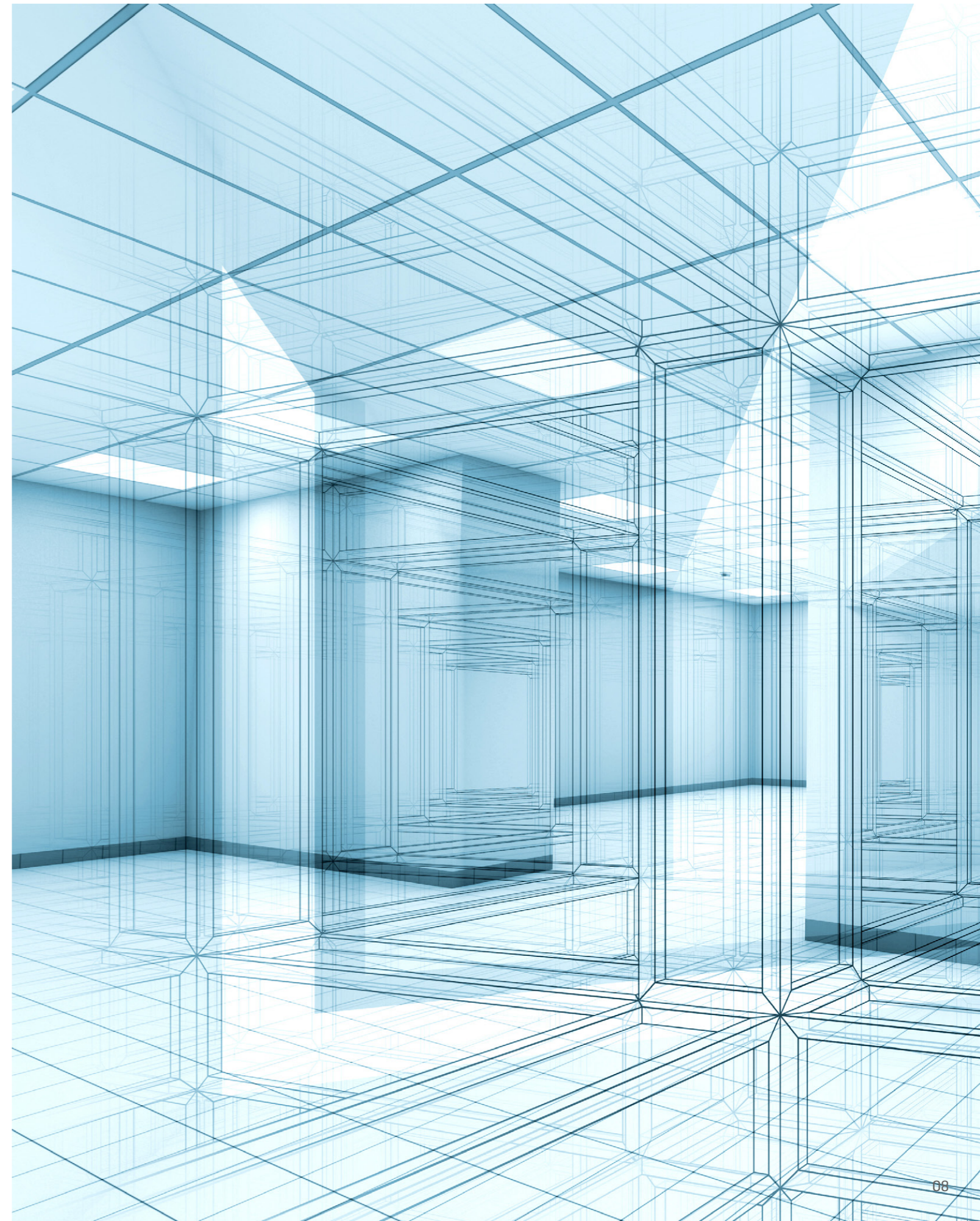
EFFICIENCY

VRF systems use minimal ductwork, and sometimes none at all (depending on the application). This makes installation and maintenance easier, and also precisely matches power requirements to eliminate any energy waste associated with central duct systems.



PERFORMANCE

System performance is significantly enhanced because of the heat transfer properties of refrigerant over other mediums, while the zone temperature control brings ideal comfort.





Turn to the experts

What is Carrier XCT7

The new XCT7, Variable (X) Comfort Technology, is the 7th generation of our VRF system that proudly represents Carrier's world leading innovation, technology and unyielding commitment to energy saving.

Carrying forth the legacy that shaped the climate control industry, Carrier's VRF systems have always delivered optimal comfort and performance that can be scaled to meet climate control needs, all the way from a small single-family residence to a commercial high-rise building. We're determined to make global impacts again with the XCT7 – a VRF system that provides unmatched advantages of high reliability, peak performance, enhanced efficiency, longer lifespan, optimal user experience and easy operation.



Ultimate Reliability



Enhanced System Performance



High-Efficiency



Large Operating Range



Easy Installation

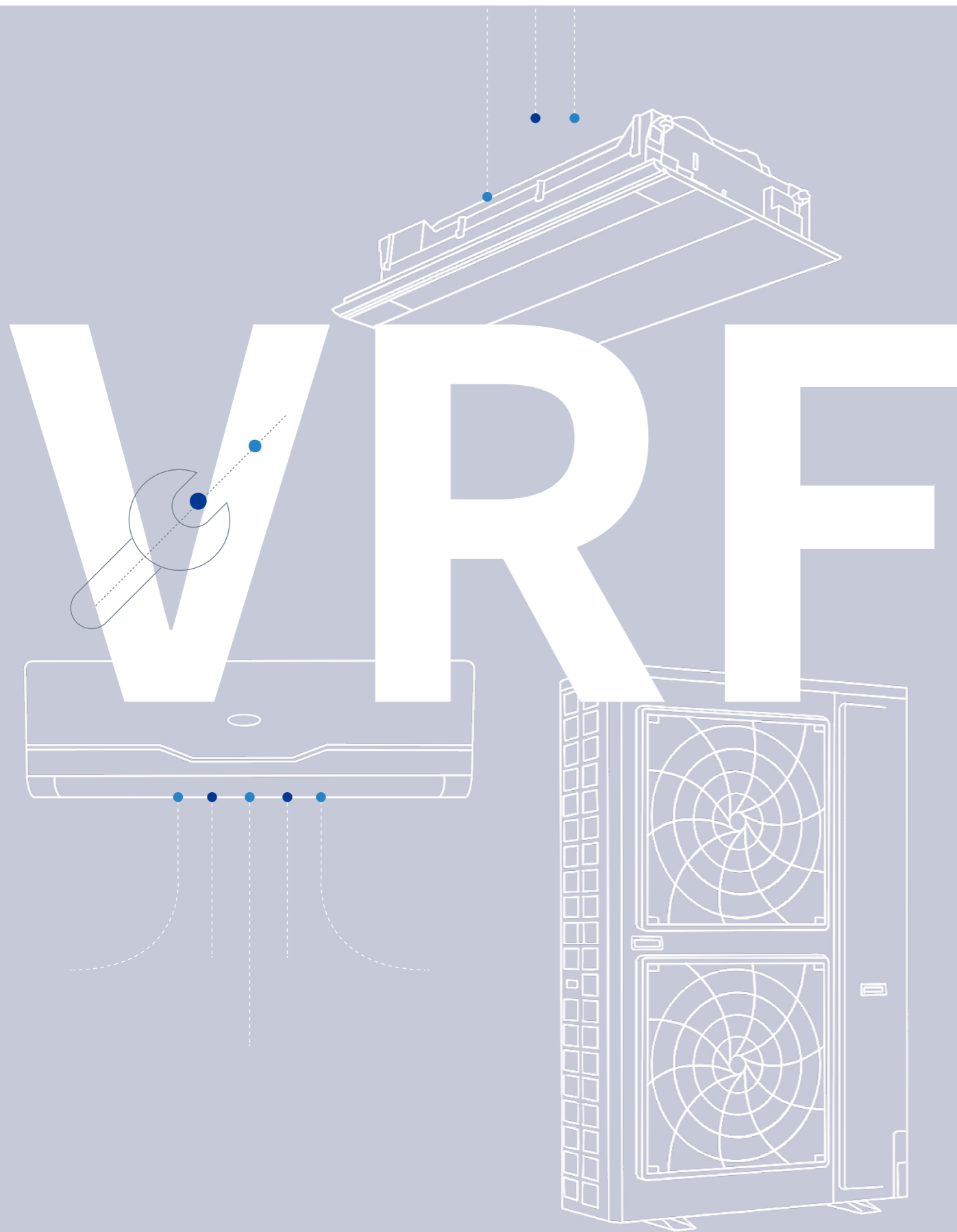


Incredible Flexibility



Wide Range of Options





Why Choose Carrier VRF?

Your choice of VRF system makes a difference. When you invest in Carrier VRF, you create a system that delivers on the promise of comfort, performance and reliability - the backbone of Carrier confidence.



Ultimate Reliability

Security is at the heart of XCT7 conception which brings customers a total peace of mind.

- Outdoor condenser with advanced black fin technology for enhanced corrosion resistance
- Reduced liquid shock failure rate thanks to the anti-liquid shock technology of the compressor



Enhanced System Performance

The enhanced system efficiency relies on the combination of the following advanced features:

- Improved refrigerant distribution balance thanks to the centrifugal oil separator
- Smooth supply of lubricant with 10-stage oil return technology which protects the compressor and the system



High-Efficiency

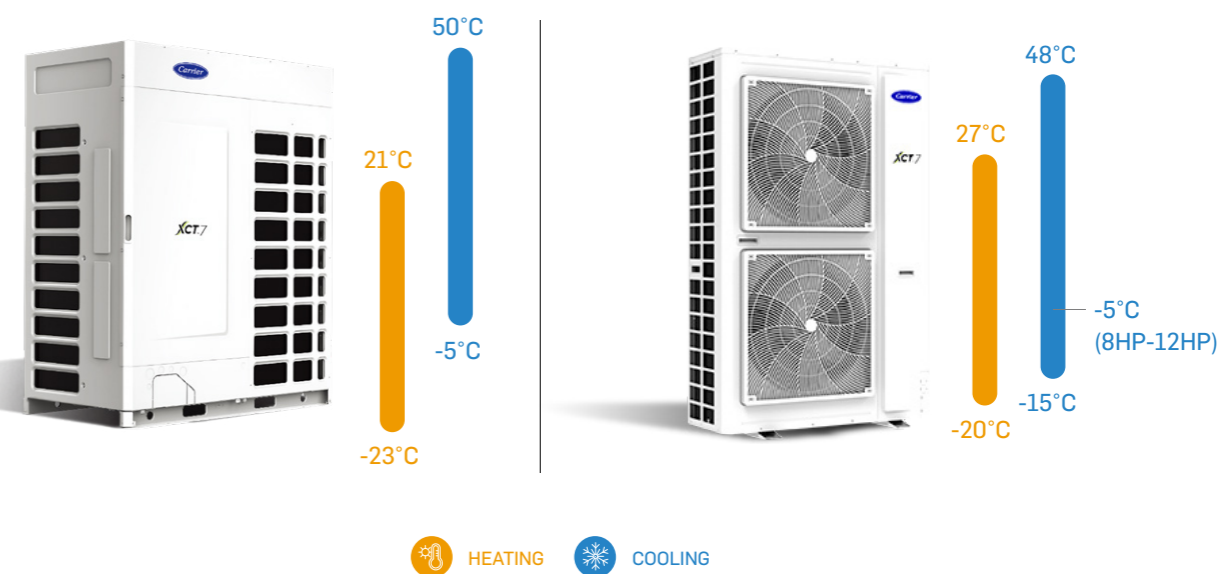
Carrier VRF achieves high-efficiency in cooling and heating by utilizing:

- High-efficient DC fan
- Advanced DC compressor



Large Operating Range

XCT7 delivers comfort solutions for any indoor space, anytime of the year.



Why Choose Carrier VRF?



Easy Installation

By design, Carrier VRF systems are user-friendly, providing easy installation and maintenance.

- Easy to open the front panel
- Easy access to the internal system components
- Branching kit designed to fit your requirements
- One button trial operation :
 - Saves 10% of test operation time
 - Tests all units in one go



Incredible Flexibility

XCT7 units provide flexibility to accommodate almost any building requirement.

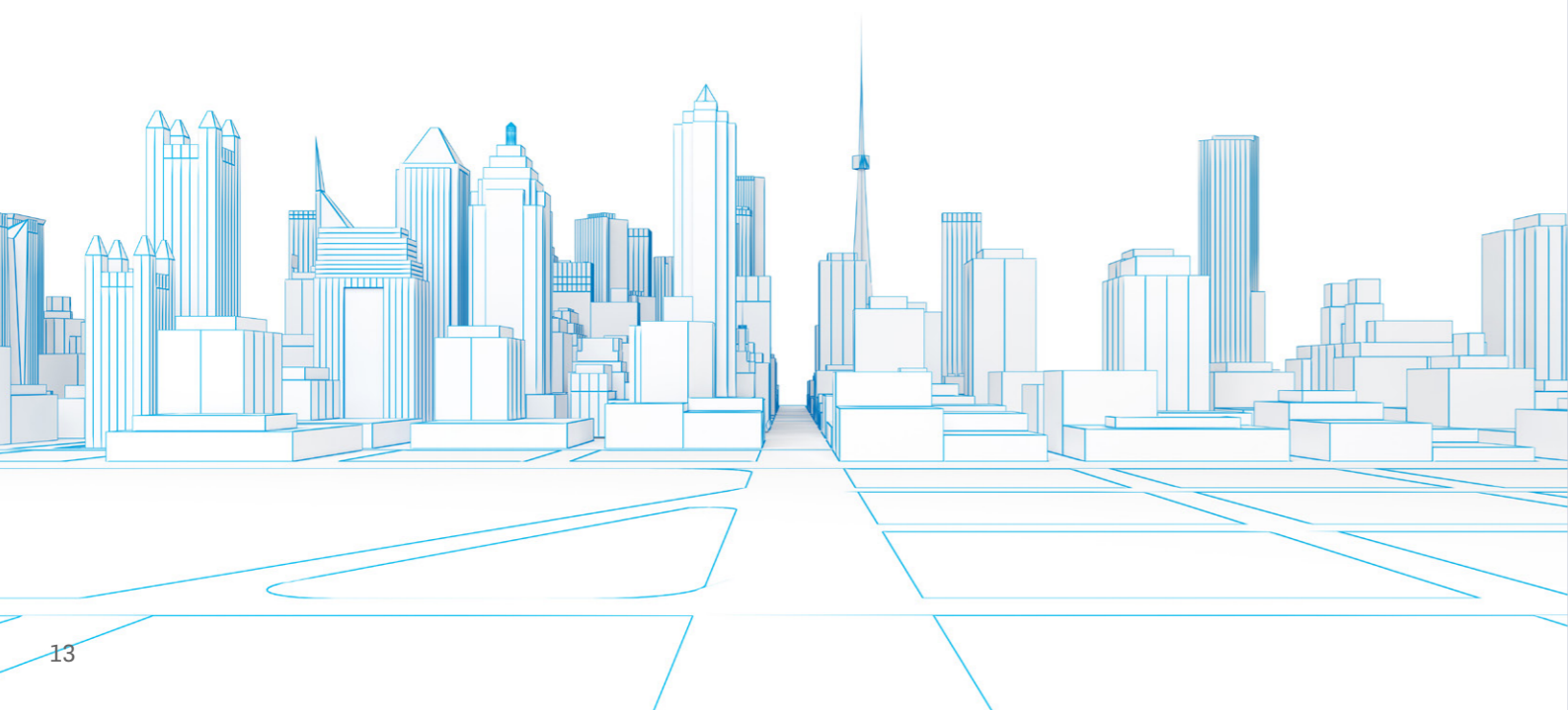
- Compact solution, perfect for limited space applications
- Up to 110 Pa of the external static pressure available
- Easily serves high-rise buildings up to 110m
- Flexible piping layout



Wide Range of Options

XCT7 units have been designed to satisfy your needs. No matter the building, application or project specifications, Carrier has a VRF solution for you.

- Single module from 4 to 26 HP
- 4 modules combination, up to 104 HP
- IDU solutions for every scenario
- Up to 64 indoor units per outdoor system
- User friendly controller solutions



Outdoor Units Lineup

Lineup	3 HP										5 HP												
kW	8										14												
Compact Side-Discharge	<p>1 Ph</p>										<p>1Ph</p>												
Lineup	4 HP					5 HP					6 HP												
kW	12.1					14					15.5												
Side Discharge	<p>1 Ph 1&3 Ph</p>					<p>1 Ph 1&3 Ph</p>					<p>1&3 Ph</p>												
Lineup	8 HP	10 HP	12 HP	14 HP	16 HP	18 HP	20 HP	22 HP	24 HP	26 HP	28 HP	30 HP	32 HP	34 HP	36 HP	38 HP	40 HP	42 HP	44 HP	46 HP	48 HP	50 HP	52 HP
kW	25.2	28	33.5	40	45	50.4	56	61.5	68	73.5	80	85	90	95.4	100.8	106.4	112	117.5	123	129.5	136	141.5	147
HP(CO) Top-discharge Up to 104HP																							

7 HP																									
18																									
1&3 Ph																									
8 HP								10 HP								12 HP									
22.6								28								31.5									
3 Ph								3 Ph								3 Ph									
54 HP	56 HP	58 HP	60 HP	62 HP	64 HP	66 HP	68 HP	70 HP	72 HP	74 HP	76 HP	78 HP	80 HP	82 HP	84 HP	86 HP	88 HP	90 HP	92 HP	94 HP	96 HP	98 HP	100 HP	102 HP	104 HP
151.2	156.8	162.4	168	173.5	179	184.5	191	197.5	204	209.5	215	220.5	224	229.5	235	240.5	246	252.5	259	265.5	272	277.5	283	288.5	294

Indoor Units Lineup

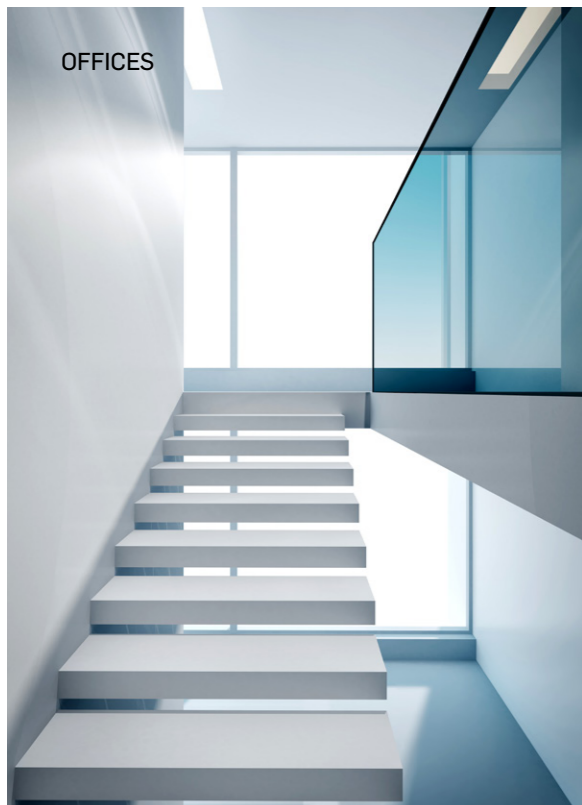
Capacity kW/kBTU/h	ONE-WAY CASSETTE	TWO-WAY CASSETTE	COMPACT FOUR-WAY CASSETTE	FOUR-WAY CASSETTE	ROUND-WAY CASSETTE	SLIM DUCT	STANDARD STATIC DUCT 50/100 PA	STANDARD STATIC DUCT 20/200 Pa
Fan Motor Type	DC	AC	DC	AC	DC	DC	AC	DC
1.5/5	●		●	●		●	●	●
2.2/7	●	●	●	●	●	●	●	●
2.8/9	●	●	●	●	●	●	●	●
3.6/12	●	●	●	●	●	●	●	●
4.5/16		●	●	●	●	●	●	●
5.6/18		●	●	●	●	●	●	●
7.1/24				●	●	●	●	●
8.0/28				●	●		●	●
9.0/30				●	●		●	●
11.2/38				●	●		●	●
14.0/48				●	●		●	●
16.0/54					●		●	●
22.6/72								
28.0/96								

MEDIUM STATIC DUCT 50/120 PA	HIGH STATIC DUCT 100/196 PA	HIGH STATIC DUCT 0/250 PA	HIGH WALL	TWO-WAY CONSOLE	CONSOLE - RECESSED	FLEX CEILING FLOOR	OUTSIDE AIR UNIT
AC	AC	DC	DC	DC	AC	DC	AC
			●	●			
		●	●	●	●		
		●	●	●	●	●	
		●	●	●	●	●	
	●	●	●	●	●	●	
	●	●	●		●	●	
●	●	●	●			●	
●	●	●				●	
●	●	●					●
		●				●	
	●	●					●
	●	●					●

Controller Units Lineup

Individual Controller	Remote Controller	IR RC (For Heat Pump)	IR RC (For Cooling Only)	Receiver (Duct unit)		
	Wired Controller	Simple RC	Wired RC 86x86	Wired Weekly Timer		
Centralized Controller		Group Controller Touchscreen up to 64 IDU	Touchscreen up to 256 IDU	Touchscreen up to 800 IDU		
Adapter		Protocol Adapter Modbus to RS485	Protocol Adapter & Electricity Data Collection	Protocol Adapter for Touchscreen		
BMS		Remote Monitoring	Local Control RS485 to USB	Lonworks™ Gateway	KNX®-8,16,64IDU Gateway	BACnet® Gateway





OFFICES



OFFICES



RETAIL



OFFICES



ADMINISTRATION

OUTDOOR UNITS

023 TOP DISCHARGE

041 SIDE DISCHARGE



OFFICES



RETAIL



ADMINISTRATIONS



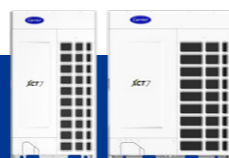
Outdoor



Outdoor

TOP DISCHARGE

Handles heating and cooling with incredible efficiency and ensures continuous comfort indoors



XCT7 Unit Special Features



One Button Trial Operation

You only need to press the outdoor PCB button once to initiate the trial operation mode instead of starting indoor units one by one.

Save up to 10% of trial operation time with this unique function for both cooling/heating modes.

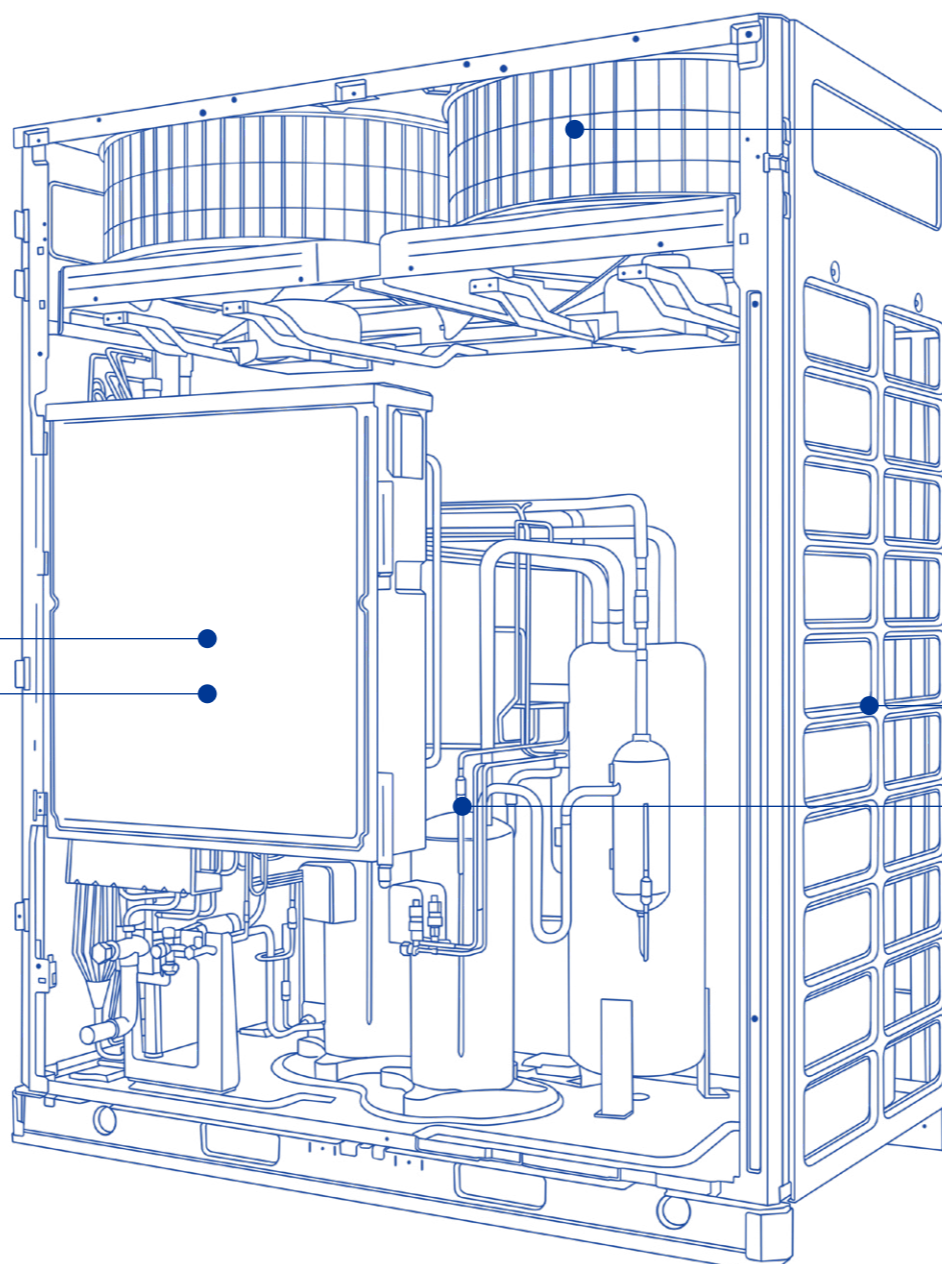


Outdoor



Less Brazing Refrigerant Accessories

The refrigerant piping accessories are pre-fitted with multiple diameters for you to simply cut depending on your needs.



High-Efficiency Outdoor Fan & Dc Inverter Stepless Fan Motor

The fan adopts an aerodynamic design for low noise and high efficiency.

The outdoor fan motor adopts unique stepless inverter regulation technology, which coordinates with the stepless inverter compressor.



Advanced Black Fin Technology

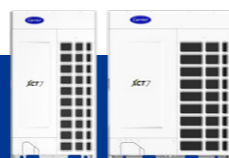
The unique advanced black-coated fin technology on the outdoor condenser enhances corrosion resistance and provides stronger protection from air pollution and salt contamination to achieve maximum system reliability.



Advanced Separator

Our advanced separator enhances heat exchanger performance, improves refrigerant distribution balance, and increases overall system efficiency.



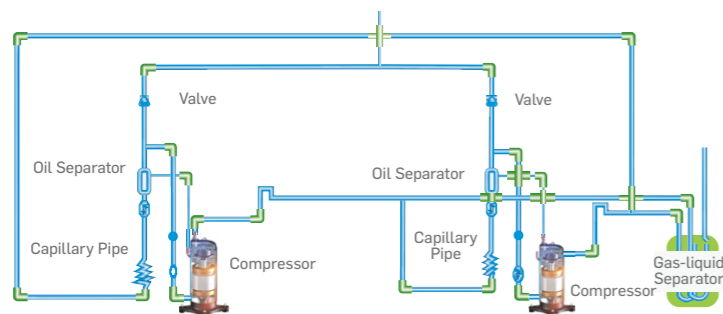


XCT7 Unit Special Features



Reliable Multi-layer Oil Return Technology

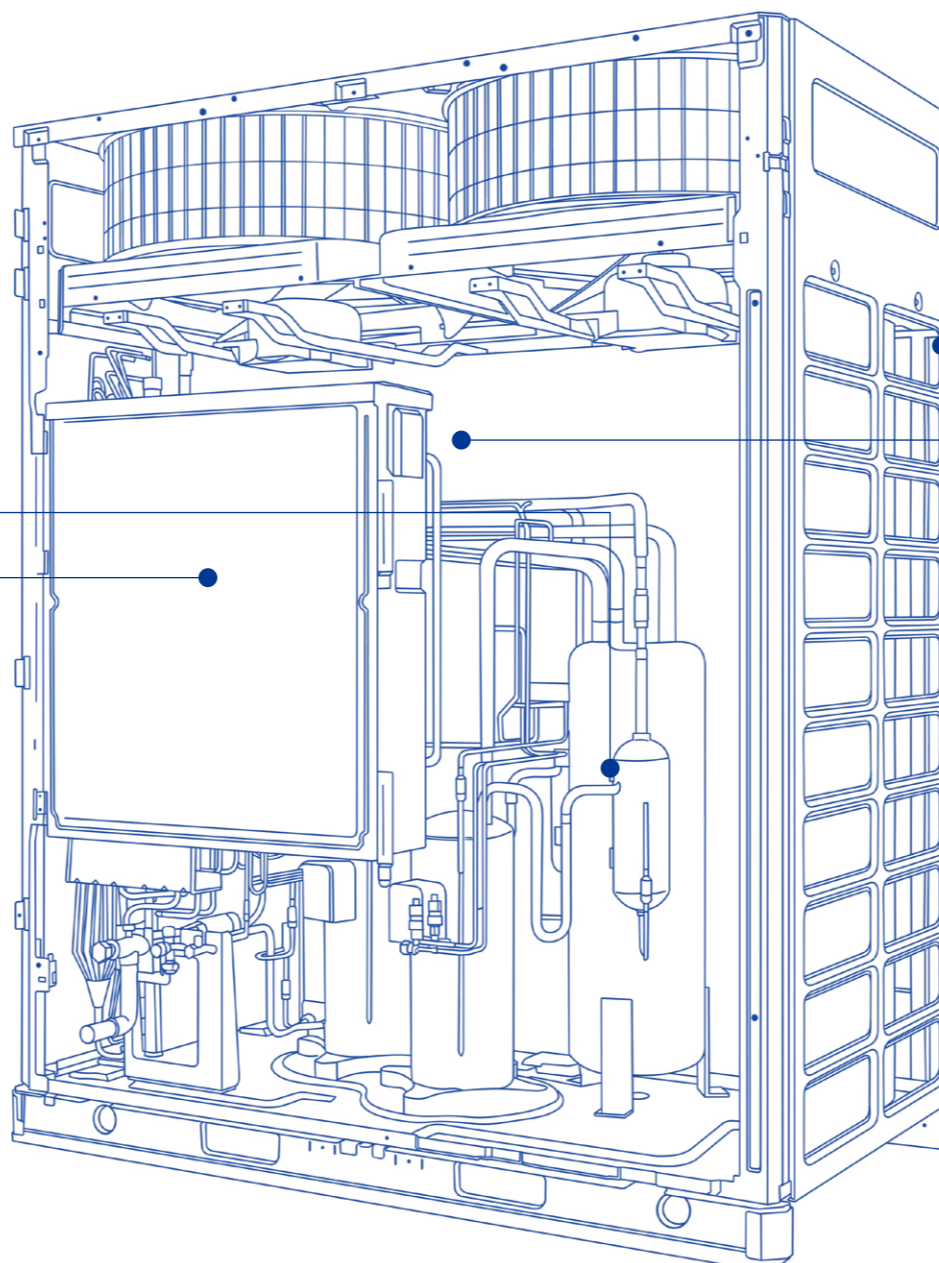
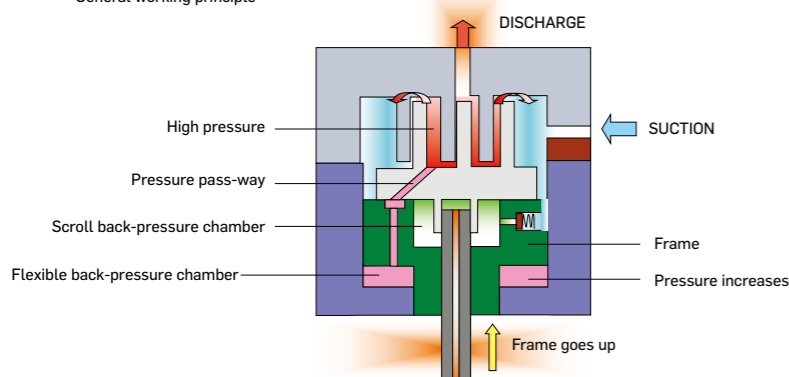
Our 10-stage oil return technology, as compared to the industry average of 5, ensures smooth lubricant oil supply to protect the compressor and system.



Advanced Compressor Anti-liquid-shock Technology

With a soft scroll design, the anti-liquid shock technology ensures an effective unloading when the compressor's internal pressure is too large. It also assures reliable and efficient operation of the compressor by reducing friction and leakage loss and halving the liquid shock failure rate.

General working principle



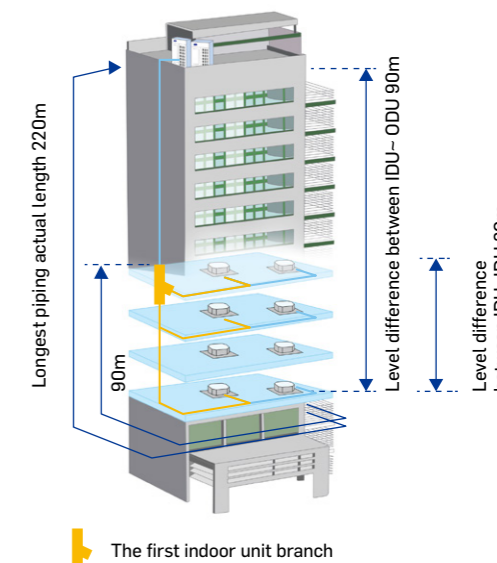
Easy Access

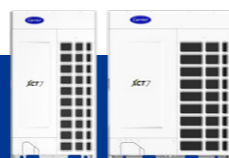
The design of the ODU is optimized to open to 120°, allowing complete access to internal system components.



Flexible Long Piping Length

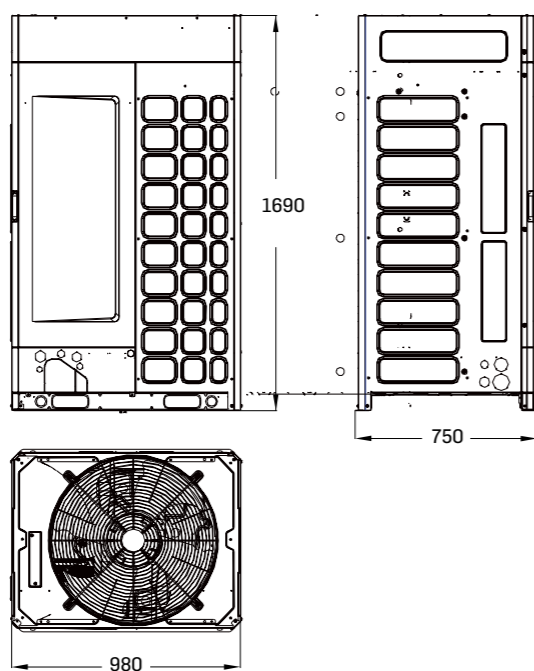
The piping can go up to 1000 m in length and a maximum of 110 m in height, thereby allowing you to easily serve in high rise buildings.



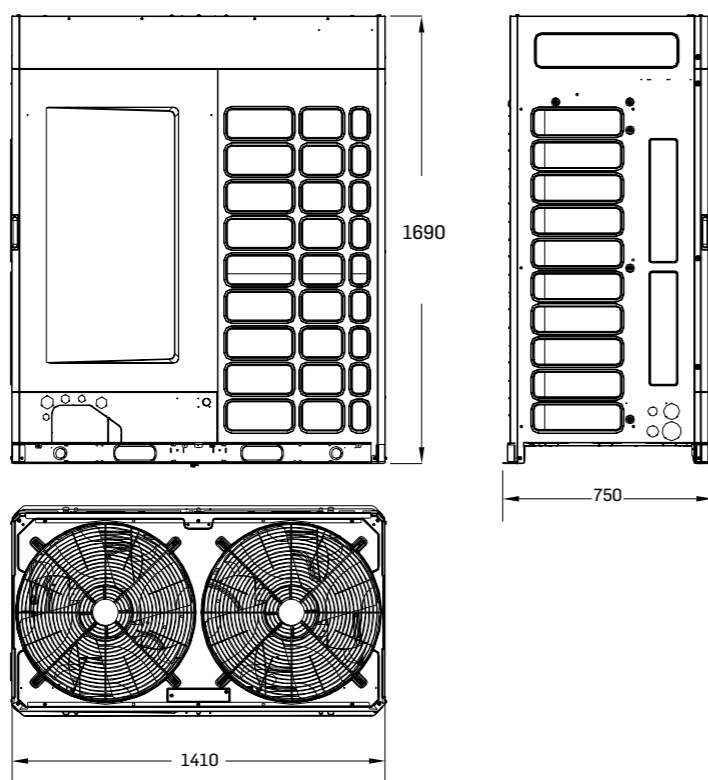


Dimensions

Single Fan (8-16HP)



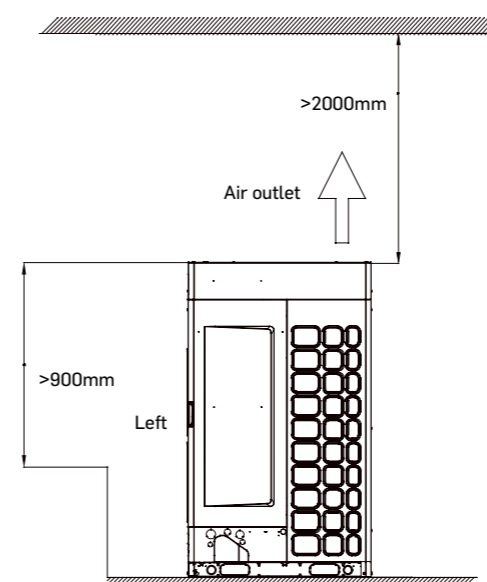
Dual Fan (18-26HP)



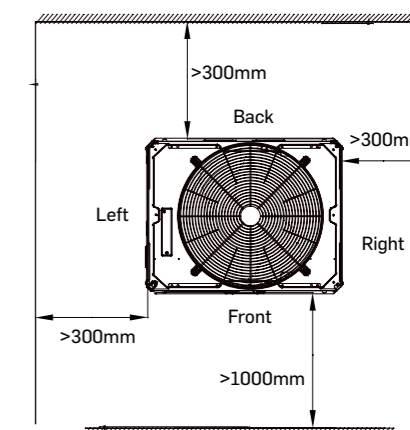
Combination Installation Dimensions

- There should be no obstacles within 2000 mm above the outdoor unit.
- Obstacles around the outdoor unit should be less than 900 mm to the bottom of unit.
- When multiple modules are installed, the outdoor unit should be ranked according to capacity, with the larger capacity closer to the main pipe.

Single Installation

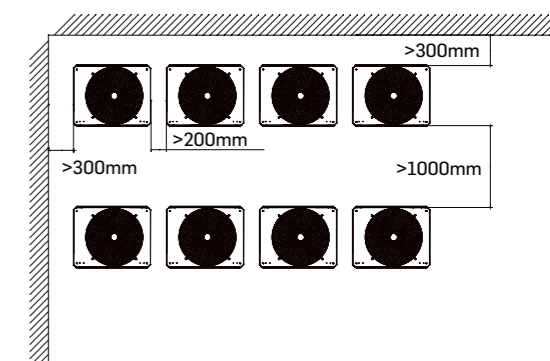
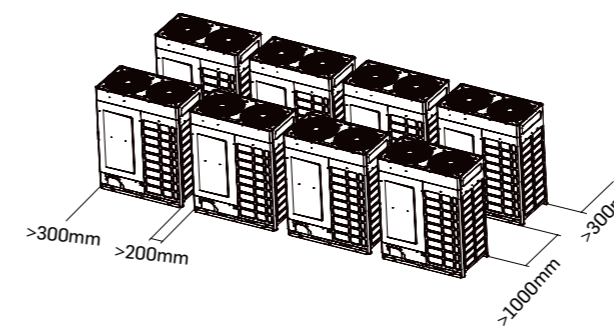


Single Fan Top Discharge



Combination Installation

Unit can be installed facing the same or opposite direction

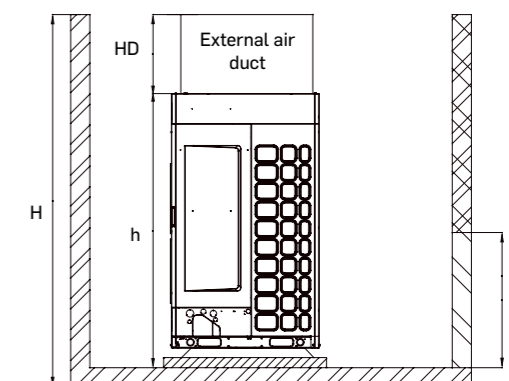


Wall Higher Than The Outdoor Condensers

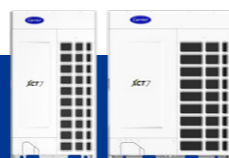
Place with air inlet hole

Notes:

- Fan speed V_s at air inlet is 1.5 m/s or below.
- Air outlet height $HD = H - h$ and below 1 m.



Outdoor



Specifications

TD HP 8-26 HP

Model code	Heat Pump	China	38VT008173HQSS	38VT010173HQSS	38VT012173HQSS	38VT014173HQSS	38VT016173HQSS	
		Thailand	38VT008173HKSS	38VT010173HKSS	38VT012173HKSS	38VT014173HKSS	38VT016173HKSS	
Capacity	Cooling only	China	38VT008173CQSS	38VT010173CQSS	38VT012173CQSS	38VT014173CQSS	38VT016173CQSS	
		Thailand	38VT008173CKSS	38VT010173CKSS	38VT012173CKSS	38VT014173CKSS	38VT016173CKSS	
Capacity	Capacity Range	HP	8.0	10	12	14	16	
	Cooling	kW	25.2	28.0	33.5	40.0	45.0	
	Heating*2	kW	27.0	31.5	37.5	45.0	50.0	
Electrical Parameters	Power Supply	PH/V/Hz	3/380-415/50/60	3/380-415/50/60	3/380-415/50/60	3/380-415/50/60	3/380-415/50/60	
	Cooling	Rated Power Input	kW	5.60	6.80	8.40	10.90	11.80
		Max Power Input	kW	12.0	12.9	13.8	16.4	19.2
		Rated Current	A	9.45	11.48	14.18	18.40	19.92
		Max Current	A	20.26	21.78	23.30	27.69	32.41
	Heating*2	Rated Power Input	kW	5.20	6.30	8.00	10.30	11.20
		Max Power Input	kW	10.90	12.20	12.50	15.10	18.40
		Rated Current	A	8.78	10.64	13.51	17.39	18.91
		Max Current	A	18.40	20.60	21.10	25.49	31.06
	EER		4.50	4.12	3.99	3.67	3.81	
	COP		5.19	5.00	4.69	4.37	4.46	
	Performance	Air Flow (H)	m³/h	11000	11000	12000	13500	13500
Sound Pressure Level (H)		dB(A)	56	56	59	59	60	
Sound Power Level (H)		dB(A)	67	67	70	70	71	
Installation	External Dimensions (W x D x H)	mm	980 x 750 x 1690					
	Shipping Dimensions (W x D x H)	mm	1070 x 850 x 1838					
	Net/Shipping Weight	kg	224/250			224/270		
	Compressor Type		DC INV. SCROLL	DC INV. SCROLL	DC INV. SCROLL	DC INV. SCROLL	DC INV. SCROLL	
	Compressor Quantity		1INV	1INV	1INV	1INV	1INV	
	Compressor Power Input	kW	6.5	6.5	6.5	6.5	7.64	
	Refrigerant Type		R410A	R410A	R410A	R410A	R410A	
	Refrigerant Charge	kg	8.5	8.5	8.5	10	10	
	Refrigerant Liquid Pipe	mm	9.52	9.52	12.7	12.7	12.7	
	Refrigerant Gas Pipe	mm	19.05	22.22	25.4	25.4	28.58	
	Max. Total Pipe Length	m	1000	1000	1000	1000	1000	
	Max. Pipe Length (Equivalent/Actual)	m	260/220	260/220	260/220	260/220	260/220	
	Max Height Difference Between I.U. & O.U. (O.U. down/up) *1	m	110/90	110/90	110/90	110/90	110/90	
	Max Height Difference Between I.U *1	m	30	30	30	30	30	
	External Static Pressure	Pa	110	110	110	110	110	
Connection Ratio	Connectable Indoor Unit Ratio	%	50-130	50-130	50-130	50-130	50-130	
	Maximum Number Of Indoor Units		13	16	20	24	27	
Working Temp.	Cooling	°C	-5-50					
	Heating*2	°C	-23-21					

Max drop between I.U.&O.U *1
 •When max Height difference between outdoor and indoor units is greater than 50m (ODU below), the main liquid size pipe must be enlarged by one size & setting made to long piping installation.
 •Review with a Carrier representative if height difference ODU to IDU is greater than 70m and/or total piping length is greater than 500m AND height difference between highest & lowest IDU greater than 18m with IDU combination ratio over 100%.

Model	Heat Pump	China	38VT018173HQSS	38VT020173HQSS	38VT022173HQSS	38VT024173HQSS	38VT026173HQSS	
		Thailand	38VT018173HKSS	38VT020173HKSS	38VT022173HKSS	38VT024173HKSS	38VT026173HKSS	
Capacity	Cooling only	China	38VT018173CQSS	38VT020173CQSS	38VT022173CQSS	38VT024173CQSS	38VT026173CQSS	
		Thailand	38VT018173CKSS	38VT020173CKSS	38VT022173CKSS	38VT024173CKSS	38VT026173CKSS	
Capacity	Capacity Range	HP	18	20	22	24	26	
	Cooling	kW	50.4	56.0	61.5	68.0	73.5	
	Heating*2	kW	56.5	61.5	69.0	73.0	82.5	
Electrical Parameters	Power Supply	PH/V/Hz	3/380-415/50/60	3/380-415/50/60	3/380-415/50/60	3/380-415/50/60	3/380-415/50/60	
	Cooling	Rated Power Input	kW	14.30	15.10	16.50	17.60	18.80
		Max Power Input	kW	21.4	25.1	28.5	29.1	33.0
		Rated Current	A	24.14	25.49	27.86	29.71	31.74
		Max Current	A	36.13	42.37	48.11	49.13	55.80
	Heating*2	Rated Power Input	kW	13.40	14.60	15.40	16.80	17.70
		Max Power Input	kW	17.70	22.70	25.50	26.50	30.40
		Rated Current	A	22.62	24.65	26.00	28.36	29.88
		Max Current	A	29.88	38.32	43.05	44.74	51.32
	EER		3.52	3.71	3.73	3.86	3.91	
	COP		4.22	4.21	4.48	4.35	4.66	
	Performance	Air Flow (H)	m³/h	17000	17000	18000	18000	19000
Sound Pressure Level (H)		dB(A)	61	61	61	62	62	
Sound Power Level (H)		dB(A)	72	72	72	73	73	
Installation	External Dimensions (W x D x H)	mm	1410 x 750 x 1690					
	Shipping Dimensions (W x D x H)	mm	1515 x 850 x 1838					
	Net/Shipping Weight	kg	287/317	370/400				
	Compressor Type		DC INV. SCROLL	DC INV. SCROLL	DC INV. SCROLL	DC INV. SCROLL	DC INV. SCROLL	
	Compressor Quantity		1INV	2INV	2INV	2INV	2INV	
	Compressor Power Input	kW	8.5	10.50	13.00	13.00	15.28	
	Refrigerant Type		R410A	R410A	R410A	R410A	R410A	
	Refrigerant Charge	kg	10	10	10	10	10	
	Refrigerant Liquid Pipe	mm	15.88	15.88	15.88	15.88	15.88	
	Refrigerant Gas Pipe	mm	28.58	28.58	28.58	28.58	28.58	
	Max. Total Pipe Length	m	1000	1000	1000	1000	1000	
	Max. Pipe Length (Equivalent/Actual)	m	260/220	260/220	260/220	260/220	260/220	
	Max Height Difference Between I.U. & O.U. (O.U. down/up) *1	m	110/90	110/90	110/90	110/90	110/90	
	Max Height Difference Between I.U *1	m	30	30	30	30	30	
	External Static Pressure	Pa	110	110	110	110	110	
Connection Ratio	Connectable Indoor Unit Ratio	%	50-130	50-130	50-130	50-130	50-130	
	Maximum Number Of Indoor Units		30	33	36	40	43	
Working Temp.	Cooling	°C	-5-50					
	Heating*2	°C	-23-21					

Heating*2
 • Heating Data is invalid for cooling only products.
 • All the specifications are tested under nominal condition (in cooling, indoor temp. is 27°C DB/19°C WB; Outdoor temp 35°C DB/24WB; in heating, indoor temp. is 20°C DB, in heating, outdoor temp. is 7°C DB/6°C WB)



Specifications

TD HP 28-46 HP

Model Code		China	38VT028S73H(C)QSS	38VT030S73H(C)QSS	38VT032S73H(C)QSS	38VT034S73H(C)QSS	38VT036S73H(C)QSS	
		Thailand	38VT028S73H(C)KSS	38VT030S73H(C)KSS	38VT032S73H(C)KSS	38VT034S73H(C)KSS	38VT036S73H(C)KSS	
Combination Model Code (C):for cooling only product			38VT014173H(C)QSS	38VT014173H(C)QSS	38VT016173H(C)QSS	38VT016173H(C)QSS	38VT018173H(C)QSS	
			38VT014173H(C)QSS	38VT016173H(C)QSS	38VT016173H(C)QSS	38VT018173H(C)QSS	38VT018173H(C)QSS	
		/	/	/	/	/	/	
Capacity	Capacity Range	HP	28	30	32	34	36	
	Cooling	kW	80.0	85.0	90.0	95.4	100.8	
	Heating*2	kW	90.0	95.0	100.0	106.5	113.0	
Electrical Parameters	Power Supply		PH/V/Hz	3/380-415/50/60	3/380-415/50/60	3/380-415/50/60	3/380-415/50/60	3/380-415/50/60
	Cooling	Rated Power Input	kW	21.80	22.70	23.60	26.10	28.6
		Max Power Input	kW	32.8	35.6	38.4	40.6	42.8
		Rated Current	A	36.80	38.32	39.84	44.06	48.28
		Max Current	A	55.37	60.10	64.83	68.54	72.26
	Heating*2	Rated Power Input	kW	20.60	21.50	22.40	24.60	26.80
		Max Power Input	kW	30.20	33.50	36.80	36.10	35.40
		Rated Current	A	34.78	36.30	37.82	41.53	45.24
		Max Current	A	50.98	56.55	62.13	60.94	59.76
	EER			3.67	3.74	3.81	3.66	3.52
COP			4.37	4.42	4.46	4.33	4.22	
Performance	Air Flow (H)	m³/h	27000	27000	27000	30500	34000	
	Sound Pressure Level (H)	dB(A)	62	62.5	63	63.5	64	
	Sound Power Level (H)	dB(A)	73	73.5	74	74.5	75	
Installation	External Dimensions (W x D x H)	mm	980 x 750 x 1690 + 980 x 750 x 1690			980 x 750 x 1690+ 1410 x 750 x 1690	1410 x 750 x 1690+ 1410 x 750 x 1690	
	Shipping Dimensions (W x D x H)	mm	1070 x 850 x 1838 + 1070 x 850 x 1838			1070 x 850 x 1838+ 1515 x 850 x 1838	1515 x 850 x 1838+ 1515 x 850 x 1838	
	Net/Shipping Weight	kg	224/250 + 224/250			224/250 + 287/317	287/317 + 287/317	
	Compressor Type		DC INV. SCROLL	DC INV. SCROLL	DC INV. SCROLL	DC INV. SCROLL	DC INV. SCROLL	
	Compressor Quantity		2INV	2INV	2INV	2INV	2INV	
	Compressor Power Input	kW	6.5+6.5	6.5+7.64	7.64+7.64	7.64+8.5	8.5+8.5	
	Refrigerant Type		R410A	R410A	R410A	R410A	R410A	
	Refrigerant Charge	kg	20	20	20	20	20	
	Refrigerant Liquid Pipe	mm	15.88	19.05	19.05	19.05	19.05	
	Refrigerant Gas Pipe	mm	28.58	31.8	31.8	31.8	38.1	
	Max. Total Pipe Length	m	1000	1000	1000	1000	1000	
	Max. Pipe Length (Equivalent/Actual)	m	260/220	260/220	260/220	260/220	260/220	
	Max Height Difference Between I.U. & O.U. (O.U. down/up) *1	m	110/90	110/90	110/90	110/90	110/90	
	Max Height Difference Between I.U *1	m	30	30	30	30	30	
External Static Pressure	Pa	110	110	110	110	110		
Connection Ratio	Connectable Indoor Unit Ratio	%	50-130	50-130	50-130	50-130	50-130	
	Maximum Number Of Indoor Units		47	50	53	56	59	
Working Temp.	Cooling	°C	-5-50					
	Heating*2	°C	-23-21					

Max drop between I.U.&O.U *1

- When max Height difference between outdoor and indoor units is greater than 50m (ODU below), the main liquid size pipe must be enlarged by one size & setting made to long piping installation.
- Review with a Carrier representative if height difference ODU to IDU is greater than 70m and/or total piping length is greater than 500m AND height difference between highest & lowest IDU greater than 18m with IDU combination ratio over 100%.

Model Code		China	38VT038S73H(C)QSS	38VT040S73H(C)QSS	38VT042S73H(C)QSS	38VT044S73H(C)QSS	38VT046S73H(C)QSS	
		Thailand	38VT038S73H(C)KSS	38VT040S73H(C)KSS	38VT042S73H(C)KSS	38VT044S73H(C)KSS	38VT046S73H(C)KSS	
Combination Model Code (C):for cooling only product			38VT018173H(C)QSS	38VT020173H(C)QSS	38VT020173H(C)QSS	38VT022173H(C)QSS	38VT022173H(C)QSS	
			38VT020173H(C)QSS	38VT020173H(C)QSS	38VT022173H(C)QSS	38VT022173H(C)QSS	38VT024173H(C)QSS	
		/	/	/	/	/	/	
Capacity	Capacity Range	HP	38	40	42	44	46	
	Cooling	kW	106.4	112.0	117.5	123.0	129.5	
	Heating*2	kW	118.0	123.0	130.5	138.0	142.0	
Electrical Parameters	Power Supply		PH/V/Hz	3/380-415/50/60	3/380-415/50/60	3/380-415/50/60	3/380-415/50/60	3/380-415/50/60
	Cooling	Rated Power Input	kW	29.40	30.20	31.60	33.00	34.10
		Max Power Input	kW	46.5	50.2	53.6	57.0	57.6
		Rated Current	A	49.63	50.98	53.35	55.71	57.57
		Max Current	A	78.50	84.75	90.49	96.23	97.24
	Heating*2	Rated Power Input	kW	28.00	29.20	30.00	30.80	32.20
		Max Power Input	kW	40.40	45.40	48.20	51.00	52.00
		Rated Current	A	47.27	49.30	50.65	52.00	54.36
		Max Current	A	68.20	76.64	81.37	86.10	87.79
	EER			3.62	3.71	3.72	3.73	3.80
COP			4.21	4.21	4.35	4.48	4.41	
Performance	Air Flow (H)	m³/h	34000	34000	35000	36000	36000	
	Sound Pressure Level (H)	dB(A)	64	64	64	64	64.5	
	Sound Power Level (H)	dB(A)	75	75	75	75	75	
Installation	External Dimensions (W x D x H)	mm	1410 x 750 x 1690 + 1410 x 750 x 1690					
	Shipping Dimensions (W x D x H)	mm	1515 x 850 x 1838 + 1515 x 850 x 1838					
	Net/Shipping Weight	kg	287/317+370/400	370/400+370/400				
	Compressor Type		DC INV. SCROLL	DC INV. SCROLL	DC INV. SCROLL	DC INV. SCROLL	DC INV. SCROLL	
	Compressor Quantity		3INV	4INV	4INV	4INV	4INV	
	Compressor Power Input	kW	8.5+10.5	10.5+10.5	10.5+13	13+13	13+13	
	Refrigerant Type		R410A	R410A	R410A	R410A	R410A	
	Refrigerant Charge	kg	20	20	20	20	20	
	Refrigerant Liquid Pipe	mm	19.05	19.05	19.05	19.05	19.05	
	Refrigerant Gas Pipe	mm	38.1	38.1	38.1	38.1	38.1	
	Max. Total Pipe Length	m	1000	1000	1000	1000	1000	
	Max. Pipe Length (Equivalent/Actual)	m	260/220	260/220	260/220	260/220	260/220	
	Max Height Difference Between I.U. & O.U. (O.U. down/up) *1	m	110/90	110/90	110/90	110/90	110/90	
	Max Height Difference Between I.U *1	m	30	30	30	30	30	
External Static Pressure	Pa	110	110	110	110	110		
Connection Ratio	Connectable Indoor Unit Ratio	%	50-130	50-130	50-130	50-130	50-130	
	Maximum Number Of Indoor Units		63	64	64	64	64	
Working Temp.	Cooling	°C	-5-50					
	Heating*2	°C	-23-21					

Heating*2

- Heating Data is invalid for cooling only products.
- All the specifications are tested under nominal condition (in cooling, indoor temp. is 27°C DB/19°C WB; Outdoor temp 35°C DB/24WB; in heating, indoor temp. is 20°C DB, in heating, outdoor temp. is 7°C DB/6°C WB)



Specifications

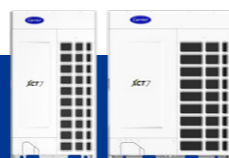
TD HP 48-66 HP

Model Code		China	38VT048S73H(C)QSS	38VT050S73H(C)QSS	38VT052S73H(C)QSS	38VT054S73H(C)QSS	38VT056S73H(C)QSS	
		Thailand	38VT048S73H(C)KSS	38VT050S73H(C)KSS	38VT052S73H(C)KSS	38VT054S73H(C)KSS	38VT056S73H(C)KSS	
Combination Model Code (C):for cooling only product			38VT024173H(C)QSS	38VT024173H(C)QSS	38VT026173H(C)QSS	38VT018173H(C)QSS	38VT018173H(C)QSS	
			38VT024173H(C)QSS	38VT026173H(C)QSS	38VT026173H(C)QSS	38VT018173H(C)QSS	38VT018173H(C)QSS	
		/	/	/	38VT018173H(C)QSS	38VT020173H(C)QSS		
		/	/	/	/	/		
Capacity	Capacity Range	HP	48	50	52	54	56	
	Cooling	kW	136.0	141.5	147.0	151.2	156.8	
	Heating*2	kW	146.0	155.5	165.0	169.5	174.5	
Power Supply		PH/V/Hz	3/380-415/50/60	3/380-415/50/60	3/380-415/50/60	3/380-415/50/60	3/380-415/50/60	
Electrical Parameters	Cooling	Rated Power Input	kW	35.20	36.40	37.60	42.90	43.70
		Max Power Input	kW	58.2	62.1	66.0	64.2	67.9
		Rated Current	A	59.42	61.45	63.48	72.42	73.77
		Max Current	A	98.25	104.93	111.60	108.38	114.63
	Heating*2	Rated Power Input	kW	33.60	34.50	35.40	40.20	41.40
		Max Power Input	kW	53.00	56.90	60.80	53.10	58.10
		Rated Current	A	56.72	58.24	59.76	67.87	69.89
		Max Current	A	89.48	96.06	102.64	89.64	98.08
	EER		3.86	3.89	3.91	3.52	3.59	
	COP		4.35	4.51	4.66	4.22	4.21	
Performance	Air Flow (H)	m³/h	36000	37000	38000	51000	51000	
	Sound Pressure Level (H)	dB(A)	65	65	65	65.8	65.8	
	Sound Power Level (H)	dB(A)	76	76	76	76.5	76.5	
Installation	External Dimensions (W x D x H)	mm	1410 x 750 x 1690 + 1410 x 750 x 1690				1410 x 750 x 1690+ 1410 x 750 x 1690+ 1410 x 750 x 1690	
	Shipping Dimensions (W x D x H)	mm	1515 x 850 x 1838 + 1515 x 850 x 1838				1515 x 850 x 1838+ 1515 x 850 x 1838+ 1515 x 850 x 1838	
	Net/Shipping Weight	kg	370/400+370/400				287/317+ 287/317+ 287/317	
	Compressor Type		DC INV. SCROLL	DC INV. SCROLL	DC INV. SCROLL	DC INV. SCROLL	DC INV. SCROLL	
	Compressor Quantity		4INV	4INV	4INV	3INV	4INV	
	Compressor Power Input	kW	13+13	13+15.28	15.28+15.28	8.5+8.5+8.5	8.5+8.5+10.5	
	Refrigerant Type		R410A	R410A	R410A	R410A	R410A	
	Refrigerant Charge	kg	20	20	20	30	30	
	Refrigerant Liquid Pipe	mm	19.05	19.05	19.05	19.05	19.05	
	Refrigerant Gas Pipe	mm	38.1	38.1	38.1	38.1	38.1	
	Max. Total Pipe Length	m	1000	1000	1000	1000	1000	
	Max. Pipe Length (Equivalent/Actual)	m	260/220	260/220	260/220	260/220	260/220	
	Max Height Difference Between I.U. & O.U (O.U. down/up) *1	m	110/90	110/90	110/90	110/90	110/90	
	Max Height Difference Between I.U *1	m	30	30	30	30	30	
External Static Pressure	Pa	110	110	110	110	110		
Connection Ratio	Connectable Indoor Unit Ratio	%	50-130	50-130	50-130	50-130	50-130	
	Maximum Number Of Indoor Units		64	64	64	64	64	
Working Temp.	Cooling	°C	-5-50					
	Heating*2	°C	-23-21					

Max drop between I.U.&O.U *1
 •When max Height difference between outdoor and indoor units is greater than 50m (ODU below), the main liquid size pipe must be enlarged by one size & setting made to long piping installation.
 •Review with a Carrier representative if height difference ODU to IDU is greater than 70m and/or total piping length is greater than 500m AND height difference between highest & lowest IDU greater than 18m with IDU combination ratio over 100%.

Model Code		China	38VT058S73H(C)QSS	38VT060S73H(C)QSS	38VT062S73H(C)QSS	38VT064S73H(C)QSS	38VT066S73H(C)QSS	
		Thailand	38VT058S73H(C)KSS	38VT060S73H(C)KSS	38VT062S73H(C)KSS	38VT064S73H(C)KSS	38VT066S73H(C)KSS	
Combination Model Code (C):for cooling only product			38VT018173H(C)QSS	38VT020173H(C)QSS	38VT022173H(C)QSS	38VT022173H(C)QSS	38VT022173H(C)QSS	
			38VT020173H(C)QSS	38VT020173H(C)QSS	38VT020173H(C)QSS	38VT022173H(C)QSS	38VT022173H(C)QSS	
		/	/	/	/	/	/	
		/	/	/	/	/	/	
Capacity	Capacity Range	HP	58	60	62	64	66	
	Cooling	kW	162.4	168.0	173.5	179.0	184.5	
	Heating*2	kW	179.5	184.5	192.0	199.5	207.0	
Power Supply		PH/V/Hz	3/380-415/50/60	3/380-415/50/60	3/380-415/50/60	3/380-415/50/60	3/380-415/50/60	
Electrical Parameters	Cooling	Rated Power Input	kW	44.50	45.30	46.70	48.10	49.50
		Max Power Input	kW	71.6	75.3	78.7	82.1	85.5
		Rated Current	A	75.13	76.48	78.84	81.20	83.57
		Max Current	A	120.88	127.12	132.86	138.60	144.34
	Heating*2	Rated Power Input	kW	42.60	43.80	44.60	45.40	46.20
		Max Power Input	kW	63.10	68.10	70.90	73.70	76.50
		Rated Current	A	71.92	73.94	75.29	76.64	78.00
		Max Current	A	106.53	114.97	119.69	124.42	129.15
	EER		3.65	3.71	3.72	3.72	3.73	
	COP		4.21	4.21	4.30	4.39	4.48	
Performance	Air Flow (H)	m³/h	51000	51000	52000	53000	54000	
	Sound Pressure Level (H)	dB(A)	65.8	65.8	65.8	65.8	65.8	
	Sound Power Level (H)	dB(A)	76.5	76.5	76.5	76.5	76.5	
Installation	External Dimensions (W x D x H)	mm	1410 x 750 x 1690 + 1410 x 750 x 1690 + 1410 x 750 x 1690					
	Shipping Dimensions (W x D x H)	mm	1515 x 850 x 1838 + 1515 x 850 x 1838 + 1515 x 850 x 1838					
	Net/Shipping Weight	kg	287/317+ 370/400+ 370/400		370/400 + 370/400 + 370/400			
	Compressor Type		DC INV. SCROLL	DC INV. SCROLL	DC INV. SCROLL	DC INV. SCROLL	DC INV. SCROLL	
	Compressor Quantity		5INV	6INV	6INV	6INV	6INV	
	Compressor Power Input	kW	8.5+10.5+10.5	10.5+10.5+10.5	10.5+10.5+13	10.5+13+13	13+13+13	
	Refrigerant Type		R410A	R410A	R410A	R410A	R410A	
	Refrigerant Charge	kg	30	30	30	30	30	
	Refrigerant Liquid Pipe	mm	19.05	19.05	19.05	19.05	19.05	
	Refrigerant Gas Pipe	mm	41.3	41.3	41.3	41.3	41.3	
	Max. Total Pipe Length	m	1000	1000	1000	1000	1000	
	Max. Pipe Length (Equivalent/Actual)	m	260/220	260/220	260/220	260/220	260/220	
	Max Height Difference Between I.U. & O.U (O.U. down/up) *1	m	110/90	110/90	110/90	110/90	110/90	
	Max Height Difference Between I.U *1	m	30	30	30	30	30	
External Static Pressure	Pa	110	110	110	110	110		
Connection Ratio	Connectable Indoor Unit Ratio	%	50-130	50-130	50-130	50-130	50-130	
	Maximum Number Of Indoor Units		64	64	64	64	64	
Working Temp.	Cooling	°C	-5-50					
	Heating*2	°C	-23-21					

Heating*2
 • Heating Data is invalid for cooling only products.
 • All the specifications are tested under nominal condition (in cooling, indoor temp. is 27°C DB/19°C WB; Outdoor temp 35°C DB/24WB; in heating, indoor temp. is 20°C DB, in heating, outdoor temp. is 7°C DB/6°CWB)



Specifications

TD HP 68-86 HP

Model Code		China	38VT068S73H(C)QSS	38VT070S73H(C)QSS	38VT072S73H(C)QSS	38VT074S73H(C)QSS	38VT076S73H(C)QSS	
		Thailand	38VT068S73H(C)KSS	38VT070S73H(C)KSS	38VT072S73H(C)KSS	38VT074S73H(C)KSS	38VT076S73H(C)KSS	
Combination Model Code (C):for cooling only product			38VT022173H(C)QSS	38VT022173H(C)QSS	38VT024173H(C)QSS	38VT026173H(C)QSS	38VT026173H(C)QSS	
			38VT022173H(C)QSS	38VT024173H(C)QSS	38VT024173H(C)QSS	38VT024173H(C)QSS	38VT026173H(C)QSS	
			38VT024173H(C)QSS	38VT024173H(C)QSS	38VT024173H(C)QSS	38VT024173H(C)QSS	38VT024173H(C)QSS	
		/	/	/	/	/		
Capacity	Capacity Range	HP	68	70	72	74	76	
	Cooling	kW	191.0	197.5	204.0	209.5	215.0	
	Heating*2	kW	211.0	215.0	219.0	228.0	238.0	
Electrical Parameters	Power Supply		PH/V/Hz	3/380-415/50/60	3/380-415/50/60	3/380-415/50/60	3/380-415/50/60	3/380-415/50/60
	Cooling	Rated Power Input	kW	50.60	51.70	52.80	54.00	55.20
		Max Power Input	kW	86.1	86.7	87.3	91.2	95.1
		Rated Current	A	85.42	87.28	89.14	91.16	93.19
		Max Current	A	145.35	146.37	147.38	154.05	160.73
	Heating*2	Rated Power Input	kW	47.60	49.00	50.40	51.30	52.20
		Max Power Input	kW	77.50	78.50	79.50	83.40	87.30
		Rated Current	A	80.36	82.72	85.09	86.61	88.12
		Max Current	A	130.84	132.52	134.21	140.80	147.38
	EER			3.77	3.82	3.86	3.88	3.89
	COP			4.43	4.39	4.35	4.45	4.56
	Performance	Air Flow (H)	m³/h	54000	54000	54000	55000	56000
Sound Pressure Level (H)		dB(A)	66	66.5	66.8	66.8	66.8	
Sound Power Level (H)		dB(A)	77	77.5	77.8	77.8	77.8	
Installation	External Dimensions (W x D x H)		mm	1410 x 750 x 1690 + 1410 x 750 x 1690 + 1410 x 750 x 1690				
	Shipping Dimensions (W x D x H)		mm	1515 x 850 x 1838 + 1515 x 850 x 1838 + 1515 x 850 x 1838				
	Net/Shipping Weight		kg	370/400 + 370/400 + 370/400				
	Compressor Type			DC INV. SCROLL	DC INV. SCROLL	DC INV. SCROLL	DC INV. SCROLL	DC INV. SCROLL
	Compressor Quantity			6INV	6INV	6INV	6INV	6INV
	Compressor Power Input		kW	13+13+13	13+13+13	13+13+13	13+13+15.28	13+15.28+15.28
	Refrigerant Type			R410A	R410A	R410A	R410A	R410A
	Refrigerant Charge		kg	30	30	30	30	30
	Refrigerant Liquid Pipe		mm	22.2	22.2	22.2	22.2	22.2
	Refrigerant Gas Pipe		mm	44.5	44.5	44.5	44.5	44.5
	Max. Total Pipe Length		m	1000	1000	1000	1000	1000
	Max. Pipe Length (Equivalent/Actual)		m	260/220	260/220	260/220	260/220	260/220
	Max Height Difference Between I.U. & O.U. (O.U. down/up) *1		m	110/90	110/90	110/90	110/90	110/90
	Max Height Difference Between I.U *1		m	30	30	30	30	30
	External Static Pressure		Pa	110	110	110	110	110
	Connection Ratio	Connectable Indoor Unit Ratio	%	50-130	50-130	50-130	50-130	50-130
		Maximum Number Of Indoor Units		64	64	64	64	64
Working Temp.	Cooling	°C	-5-50					
	Heating*2	°C	-23-21					

Max drop between I.U.&O.U *1

- When max Height difference between outdoor and indoor units is greater than 50m (ODU below), the main liquid size pipe must be enlarged by one size & setting made to long piping installation.
- Review with a Carrier representative if height difference ODU to IDU is greater than 70m and/or total piping length is greater than 500m AND height difference between highest & lowest IDU greater than 18m with IDU combination ratio over 100%.

Model Code		China	38VT078S73H(C)QSS	38VT080S73H(C)QSS	38VT082S73H(C)QSS	38VT084S73H(C)QSS	38VT086S73H(C)QSS	
		Thailand	38VT078S73H(C)KSS	38VT080S73H(C)KSS	38VT082S73H(C)KSS	38VT084S73H(C)KSS	38VT086S73H(C)KSS	
Combination Model Code (C):for cooling only product			38VT026173H(C)QSS	38VT020173H(C)QSS	38VT020173H(C)QSS	38VT020173H(C)QSS	38VT020173H(C)QSS	
			38VT026173H(C)QSS	38VT020173H(C)QSS	38VT020173H(C)QSS	38VT020173H(C)QSS	38VT022173H(C)QSS	
			38VT026173H(C)QSS	38VT020173H(C)QSS	38VT020173H(C)QSS	38VT022173H(C)QSS	38VT022173H(C)QSS	
		/	38VT020173H(C)QSS	38VT022173H(C)QSS	38VT022173H(C)QSS	38VT022173H(C)QSS		
Capacity	Capacity Range	HP	78	80	82	84	86	
	Cooling	kW	220.5	224.0	229.5	235.0	240.5	
	Heating*2	kW	247.5	246.0	253.5	261.0	268.5	
Electrical Parameters	Power Supply		PH/V/Hz	3/380-415/50/60	3/380-415/50/60	3/380-415/50/60	3/380-415/50/60	3/380-415/50/60
	Cooling	Rated Power Input	kW	56.40	60.40	61.80	63.20	64.60
		Max Power Input	kW	99.0	100.4	103.8	107.2	110.6
		Rated Current	A	95.21	101.97	104.33	106.69	109.06
		Max Current	A	167.40	169.50	175.24	180.98	186.72
	Heating*2	Rated Power Input	kW	53.10	58.40	59.20	60.00	60.80
		Max Power Input	kW	91.20	90.80	93.60	96.40	99.20
		Rated Current	A	89.64	98.59	99.94	101.29	102.64
		Max Current	A	153.96	153.29	158.02	162.74	167.47
	EER			3.91	3.71	3.71	3.72	3.72
	COP			4.66	4.21	4.28	4.35	4.42
	Performance	Air Flow (H)	m³/h	57000	68000	69000	70000	71000
Sound Pressure Level (H)		dB(A)	66.8	67	67	67	67	
Sound Power Level (H)		dB(A)	77.7	78	78	78	78	
Installation	External Dimensions (W x D x H)		mm	1410 x 750 x 1690+ 1410 x 750 x 1690+ 1410 x 750 x 1690	1410 x 750 x 1690 + 1410 x 750 x 1690 + 1410 x 750 x 1690 + 1410 x 750 x 1690			
	Shipping Dimensions (W x D x H)		mm	1515 x 850 x 1838+ 1515 x 850 x 1838+ 1515 x 850 x 1838	1515 x 850 x 1838 + 1515 x 850 x 1838 + 1515 x 850 x 1838 + 1515 x 850 x 1838			
	Net/Shipping Weight		kg	370/400+ 370/400+ 370/400	370/400 + 370/400 + 370/400 + 370/400			
	Compressor Type			DC INV. SCROLL	DC INV. SCROLL	DC INV. SCROLL	DC INV. SCROLL	DC INV. SCROLL
	Compressor Quantity			6INV	8INV	8INV	8INV	8INV
	Compressor Power Input		kW	15.28+15.28+15.28	10.5+10.5+10.5+10.5	10.5+10.5+10.5+13	10.5+10.5+13+13	10.5+13+13+13
	Refrigerant Type			R410A	R410A	R410A	R410A	R410A
	Refrigerant Charge		kg	30	40	40	40	40
	Refrigerant Liquid Pipe		mm	22.2	22.2	22.2	22.2	25.4
	Refrigerant Gas Pipe		mm	44.5	44.5	44.5	44.5	50.8
	Max. Total Pipe Length		m	1000	1000	1000	1000	1000
	Max. Pipe Length (Equivalent/Actual)		m	260/220	260/220	260/220	260/220	260/220
	Max Height Difference Between I.U. & O.U. (O.U. down/up) *1		m	110/90	110/90	110/90	110/90	110/90
	Max Height Difference Between I.U *1		m	30	30	30	30	30
	External Static Pressure		Pa	110	110	110	110	110
	Connection Ratio	Connectable Indoor Unit Ratio	%	50-130	50-130	50-130	50-130	50-130
		Maximum Number Of Indoor Units		64	64	64	64	64
Working Temp.	Cooling	°C	-5-50					
	Heating*2	°C	-23-21					

Heating*2

- Heating Data is invalid for cooling only products.
- All the specifications are tested under nominal condition (in cooling, indoor temp. is 27°C DB/19°C WB; Outdoor temp 35°C DB/24WB; in heating, indoor temp. is 20°C DB, in heating, outdoor temp. is 7°C DB/6°C WB)



Specifications

TD HP 88-104HP

Model Code	China		38VT088S73H(C)QSS	38VT090S73H(C)QSS	38VT092S73H(C)QSS	38VT094S73H(C)QSS	38VT096S73H(C)QSS	
	Thailand		38VT088S73H(C)KSS	38VT090S73H(C)KSS	38VT092S73H(C)KSS	38VT094S73H(C)KSS	38VT096S73H(C)KSS	
Combination Model Code (C):for cooling only product			38VT022173H(C)QSS	38VT024173H(C)QSS	38VT024173H(C)QSS	38VT024173H(C)QSS	38VT024173H(C)QSS	
			38VT022173H(C)QSS	38VT022173H(C)QSS	38VT024173H(C)QSS	38VT024173H(C)QSS	38VT024173H(C)QSS	
			38VT022173H(C)QSS	38VT022173H(C)QSS	38VT022173H(C)QSS	38VT024173H(C)QSS	38VT024173H(C)QSS	
			38VT022173H(C)QSS	38VT022173H(C)QSS	38VT022173H(C)QSS	38VT022173H(C)QSS	38VT024173H(C)QSS	
Capacity	Capacity Range	HP	88	90	92	94	96	
	Cooling	kW	246.0	252.5	259.0	265.5	272.0	
	Heating*2	kW	276.0	280.0	284.0	288.0	292.0	
Electrical Parameters	Power Supply	PH/V/Hz	3/380-415/50/60	3/380-415/50/60	3/380-415/50/60	3/380-415/50/60	3/380-415/50/60	
	Cooling	Rated Power Input	kW	66.00	67.10	68.20	69.30	70.40
		Max Power Input	kW	114.0	114.6	115.2	115.8	116.4
		Rated Current	A	111.42	113.28	115.14	116.99	118.85
		Max Current	A	192.46	193.47	194.48	195.49	196.51
	Heating*2	Rated Power Input	kW	61.60	63.00	64.40	65.80	67.20
		Max Power Input	kW	102.00	103.00	104.00	105.00	106.00
		Rated Current	A	103.99	106.36	108.72	111.08	113.45
		Max Current	A	172.20	173.89	175.57	177.26	178.95
	EER		3.73	3.76	3.80	3.83	3.86	
	COP		4.48	4.44	4.41	4.38	4.35	
	Performance	Air Flow (H)	m³/h	72000	72000	72000	72000	72000
Sound Pressure Level (H)		dB(A)	67	67.5	67.5	68	68	
Sound Power Level (H)		dB(A)	78	78.5	78.5	78.8	79	
Installation	External Dimensions (W x D x H)	mm	1410 x 750 x 1690 + 1410 x 750 x 1690 + 1410 x 750 x 1690 + 1410 x 750 x 1690					
	Shipping Dimensions (W x D x H)	mm	1515 x 850 x 1838 + 1515 x 850 x 1838 + 1515 x 850 x 1838 + 1515 x 850 x 1838					
	Net/Shipping Weight	kg	370/400 + 370/400 + 370/400 + 370/400					
	Compressor Type		DC INV. SCROLL	DC INV. SCROLL	DC INV. SCROLL	DC INV. SCROLL	DC INV. SCROLL	
	Compressor Quantity		8INV	8INV	8INV	8INV	8INV	
	Compressor Power Input	kW	13+13+13+13	13+13+13+13	13+13+13+13	13+13+13+13	13+13+13+13	
	Refrigerant Type		R410A	R410A	R410A	R410A	R410A	
	Refrigerant Charge	kg	40	40	40	40	40	
	Refrigerant Liquid Pipe	mm	25.4	25.4	25.4	25.4	25.4	
	Refrigerant Gas Pipe	mm	50.8	50.8	50.8	50.8	50.8	
	Max. Total Pipe Length	m	1000	1000	1000	1000	1000	
	Max. Pipe Length (Equivalent/Actual)	m	260/220	260/220	260/220	260/220	260/220	
	Max Height Difference Between I.U. & O.U. (O.U. down/up) *1	m	110/90	110/90	110/90	110/90	110/90	
	Max Height Difference Between I.U *1	m	30	30	30	30	30	
	External Static Pressure	Pa	110	110	110	110	110	
Connection Ratio	Connectable Indoor Unit Ratio	%	50-130	50-130	50-130	50-130	50-130	
	Maximum Number Of Indoor Units		64	64	64	64	64	
Working Temp.	Cooling	°C	-5-50					
	Heating*2	°C	-23-21					

Max drop between I.U.&O.U *1
 •When max Height difference between outdoor and indoor units is greater than 50m (ODU below), the main liquid size pipe must be enlarged by one size & setting made to long piping installation.
 •Review with a Carrier representative if height difference ODU to IDU is greater than 70m and/or total piping length is greater than 500m AND height difference between highest & lowest IDU greater than 18m with IDU combination ratio over 100%.

Model Code	China		38VT098S73H(C)QSS	38VT100S73H(C)QSS	38VT102S73H(C)QSS	38VT104S73H(C)QSS	
	Thailand		38VT098S73H(C)KSS	38VT100S73H(C)KSS	38VT102S73H(C)KSS	38VT104S73H(C)KSS	
Combination Model Code (C):for cooling only product			38VT026173H(C)QSS	38VT026173H(C)QSS	38VT026173H(C)QSS	38VT026173H(C)QSS	
			38VT024173H(C)QSS	38VT026173H(C)QSS	38VT026173H(C)QSS	38VT026173H(C)QSS	
			38VT024173H(C)QSS	38VT024173H(C)QSS	38VT026173H(C)QSS	38VT026173H(C)QSS	
			38VT024173H(C)QSS	38VT024173H(C)QSS	38VT024173H(C)QSS	38VT026173H(C)QSS	
Capacity	Capacity Range	HP	98	100	102	104	
	Cooling	kW	277.5	283.0	288.5	294.0	
	Heating*2	kW	301.5	311.0	320.5	330.0	
Electrical Parameters	Power Supply	PH/V/Hz	3/380-415/50/60	3/380-415/50/60	3/380-415/50/60	3/380-415/50/60	
	Cooling	Rated Power Input	kW	71.60	72.80	74.00	75.20
		Max Power Input	kW	120.3	124.2	128.1	132.0
		Rated Current	A	120.88	122.90	124.93	126.95
		Max Current	A	203.18	209.85	216.53	223.20
	Heating*2	Rated Power Input	kW	68.10	69.00	69.90	70.80
		Max Power Input	kW	109.90	113.80	117.70	121.60
		Rated Current	A	114.97	116.49	118.01	119.53
		Max Current	A	185.53	192.12	198.70	205.29
	EER		3.88	3.89	3.90	3.91	
	COP		4.43	4.51	4.59	4.66	
	Performance	Air Flow (H)	m³/h	73000	74000	75000	76000
Sound Pressure Level (H)		dB(A)	68	68	68	68	
Sound Power Level (H)		dB(A)	79	79	79	79	
Installation	External Dimensions (W x D x H)	mm	1410 x 750 x 1690 + 1410 x 750 x 1690 + 1410 x 750 x 1690 + 1410 x 750 x 1690				
	Shipping Dimensions (W x D x H)	mm	1515 x 850 x 1838 + 1515 x 850 x 1838 + 1515 x 850 x 1838 + 1515 x 850 x 1838				
	Net/Shipping Weight	kg	370/400 + 370/400 + 370/400 + 370/400				
	Compressor Type		DC INV. SCROLL	DC INV. SCROLL	DC INV. SCROLL	DC INV. SCROLL	
	Compressor Quantity		8INV	8INV	8INV	8INV	
	Compressor Power Input	kW	13+13+13+15.28	13+13+15.28+15.28	13+15.28+15.28+15.28	15.28+15.28+15.28+15.28	
	Refrigerant Type		R410A	R410A	R410A	R410A	
	Refrigerant Charge	kg	40	40	40	40	
	Refrigerant Liquid Pipe	mm	25.4	25.4	25.4	25.4	
	Refrigerant Gas Pipe	mm	54.1	54.1	54.1	54.1	
	Max. Total Pipe Length	m	1000	1000	1000	1000	
	Max. Pipe Length (Equivalent/Actual)	m	260/220	260/220	260/220	260/220	
	Max Height Difference Between I.U. & O.U. (O.U. down/up) *1	m	110/90	110/90	110/90	110/90	
	Max Height Difference Between I.U *1	m	30	30	30	30	
	External Static Pressure	Pa	110	110	110	110	
Connection Ratio	Connectable Indoor Unit Ratio	%	50-130	50-130	50-130	50-130	
	Maximum Number Of Indoor Units		64	64	64	64	
Working Temp.	Cooling	°C	-5-50				
	Heating*2	°C	-23-21				

Heating*2
 • Heating Data is invalid for cooling only products.
 • All the specifications are tested under nominal condition (in cooling, indoor temp. is 27°C DB/19°C WB; Outdoor temp 35°C DB/24WB; in heating, indoor temp. is 20°C DB, in heating, outdoor temp. is 7°C DB/6°C WB)



Outdoor



SIDE DISCHARGE

Compact design for flexible application in small or narrow spaces

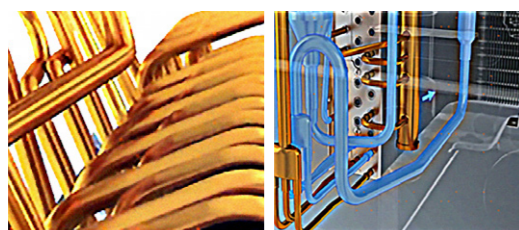


Carrier Product Benefits 4/5/6 HP



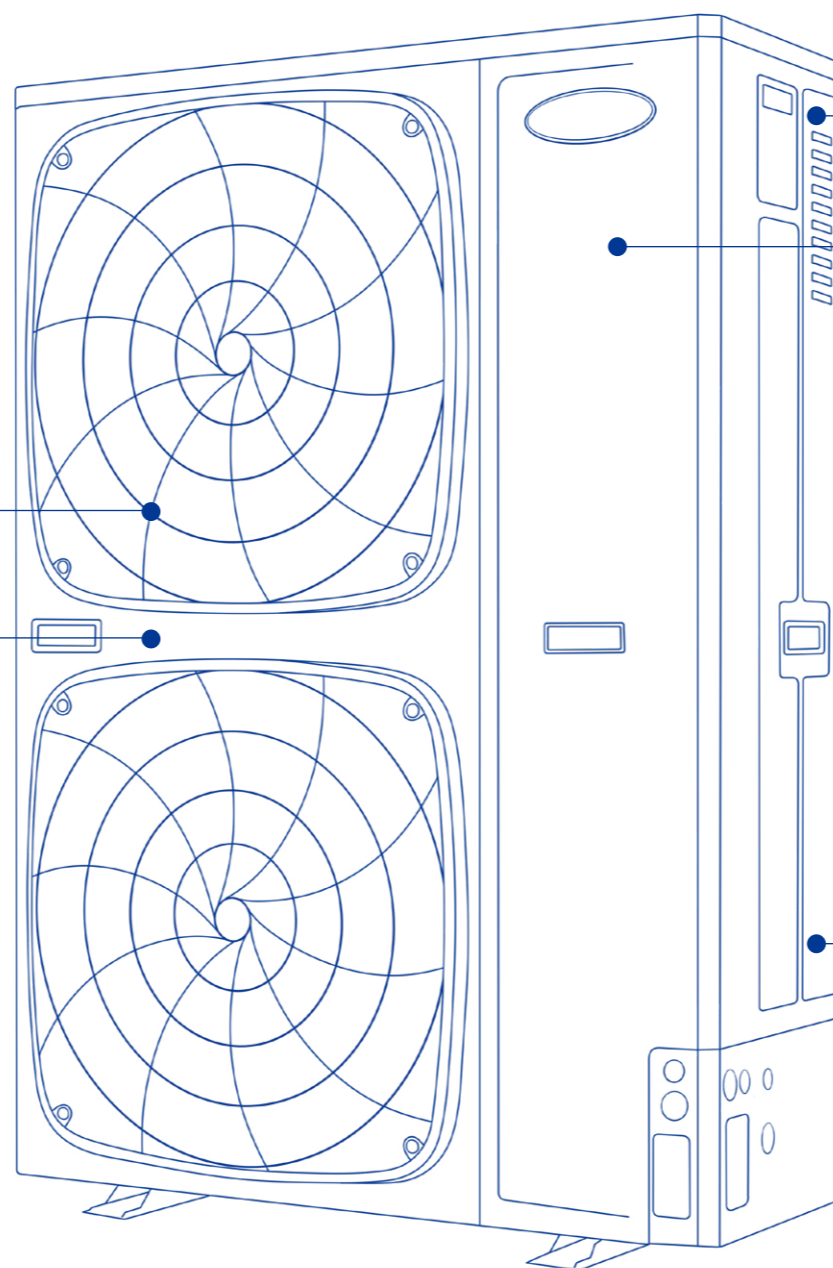
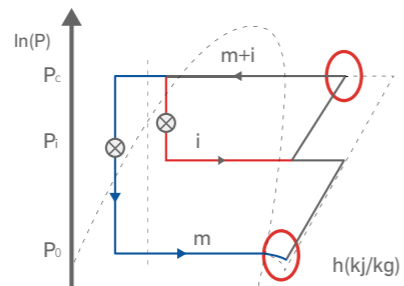
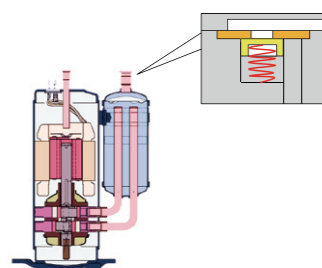
Leadership in Advanced Technology

- **Two-stage Sub-cooling Cycle Technology**
Increases unit efficiency by 9%.
- **Maximizing 30°C Sub-cooling**
Increase unit cooling capacity by 46%
- **Adding of the Sub-cooler at the Bottom of the Outdoor Exchanger**
Increases the efficiency of the sub-cooling in the system to achieve deep sub-cooling



More Powerful Heating Capacity by Enthalpy Injection

In low ambient conditions, condenser heat rejection is weakened. The amount of hot gas returning to the compressor is greatly reduced. However, the Indoor units can receive more heating capacity thanks to residual enthalpy injection from the 2nd stage subcooling.



High-Efficacy

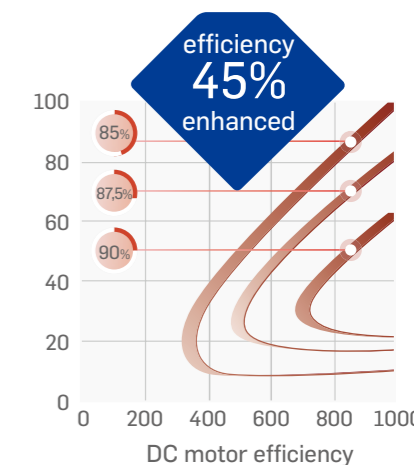
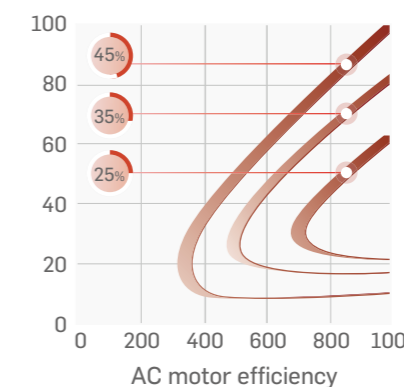
- **DC Inverter Compressor**
Carrier XCT7 unit uses DC inverter compressors, with 5% lower power input (14 kW)
- **Large 550 mm DC powered fan**
38% lower power input, 8% higher airflow
- **Larger heat exchanger**
Heat exchange area increased by 10%
- **Charge valve**
Built-in charge valve enables safer and easier maintenance
- **Low standby power**
New PCB program reduces 20% standby power consumption



DC Fan and Motor

DC power brings higher efficiency to running partial load

- 16-stage speed control; high-efficiency running especially in low speed
- 45% higher efficiency than AC motors
- Lower power input



Large diameter fan

The large fan of 550 mm diameter allows for greater airflow and hence, higher efficiency



Superior Comfort

New aerodynamics fan
550mm super big diameter aerospace helix fan lowers sound level by 3dB(A)





Carrier Product Benefits

4/5/6 HP

8/10/12 HP

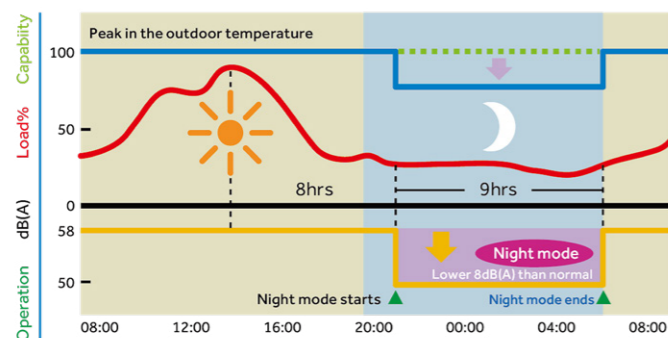


High Efficiency

- **DC Inverter Compressor**
Carrier XCT7 uses DC INV. compressors, with 5% lower power input (14 kW)
- **Larger heat exchanger**
Heat exchange area increased by 10%
- **Charge valve**
Built-in charge valve to enable safer and easier maintenance
- **Low standby power**
New PCB program to reduce 20% standby power consumption

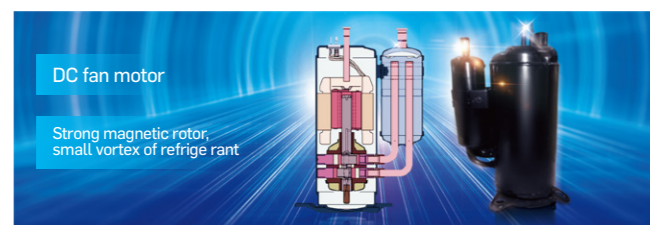
Low Noise Level

- **Night mode operation function**
Quiet Night Mode (-8 dB(A)) is also available by setting PCB
Noise can be reduced to 50 dB(A)



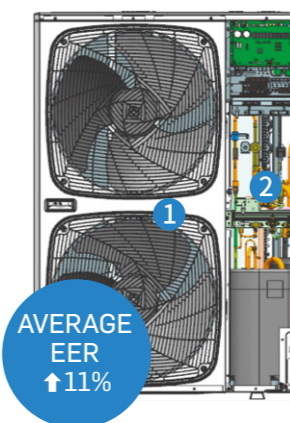
New DC inverter with twin rotary compressor

Small torque changes & good dynamic balance allows the system to run stably, with little vibration, low noise and higher efficiency when running partial load

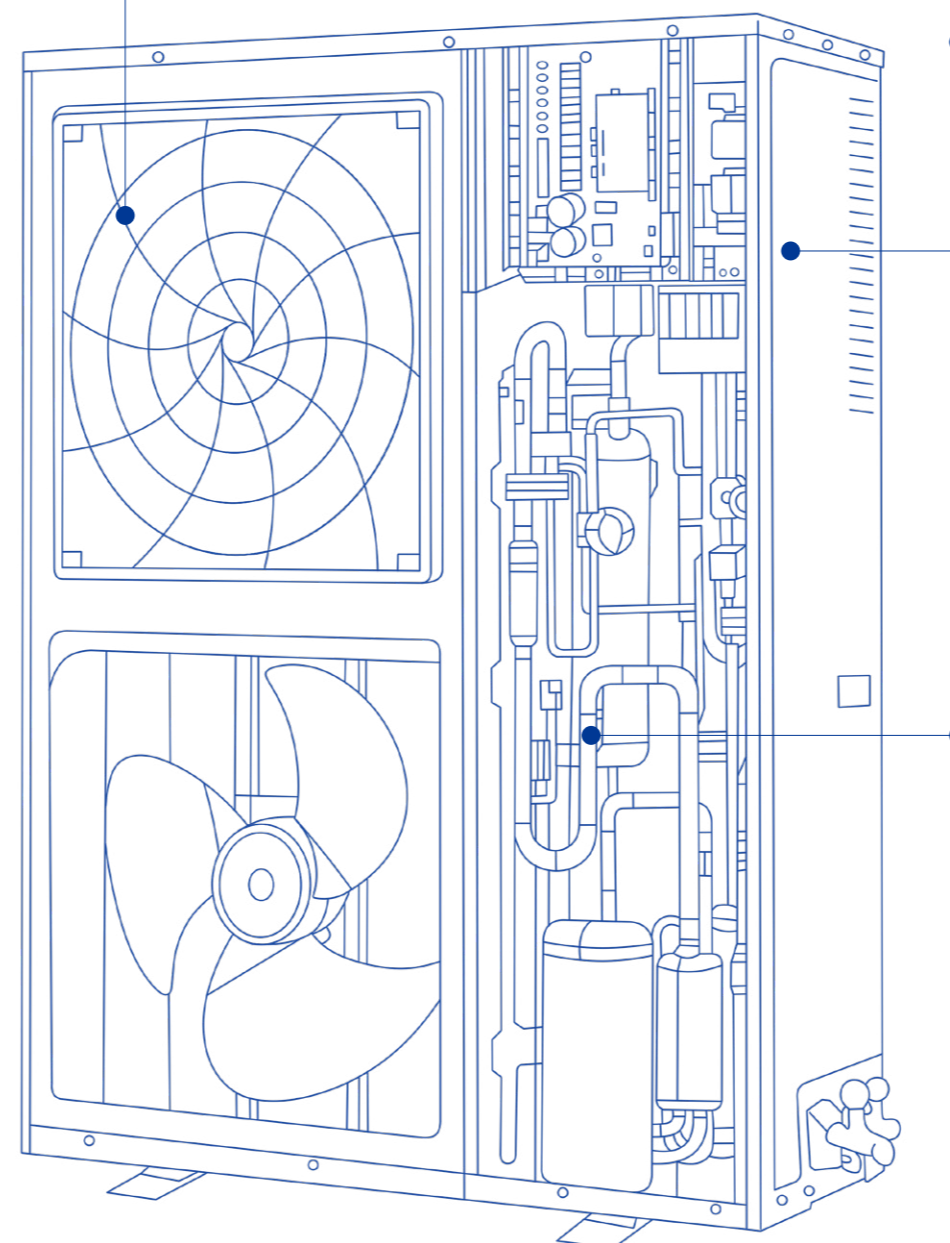


Superior Comfort

- 1 **Enlarged air inlet path and spiral air outlet**
Air flow follows the grill direction to lower sound level by 2-4 dB(A)
- 2 **Automatic sound-lowering program**
Night mode set by PCB to lower sound level by 8dB (A)



- **Vector inverter control - more precise**
- **DC fan motor bracket & non-resonance structure**
Ensures smooth running of the motor to reduce operating noise
- **DC inverter twin rotary compressor**
Smooth operation with no need to frequently start the compressor effectively reduces the outdoor noise
- **Big diameter fan**
Design according to the aviation quieter principle



Outdoor



Carrier Product Benefits

4/5/6 HP

8/10/12 HP



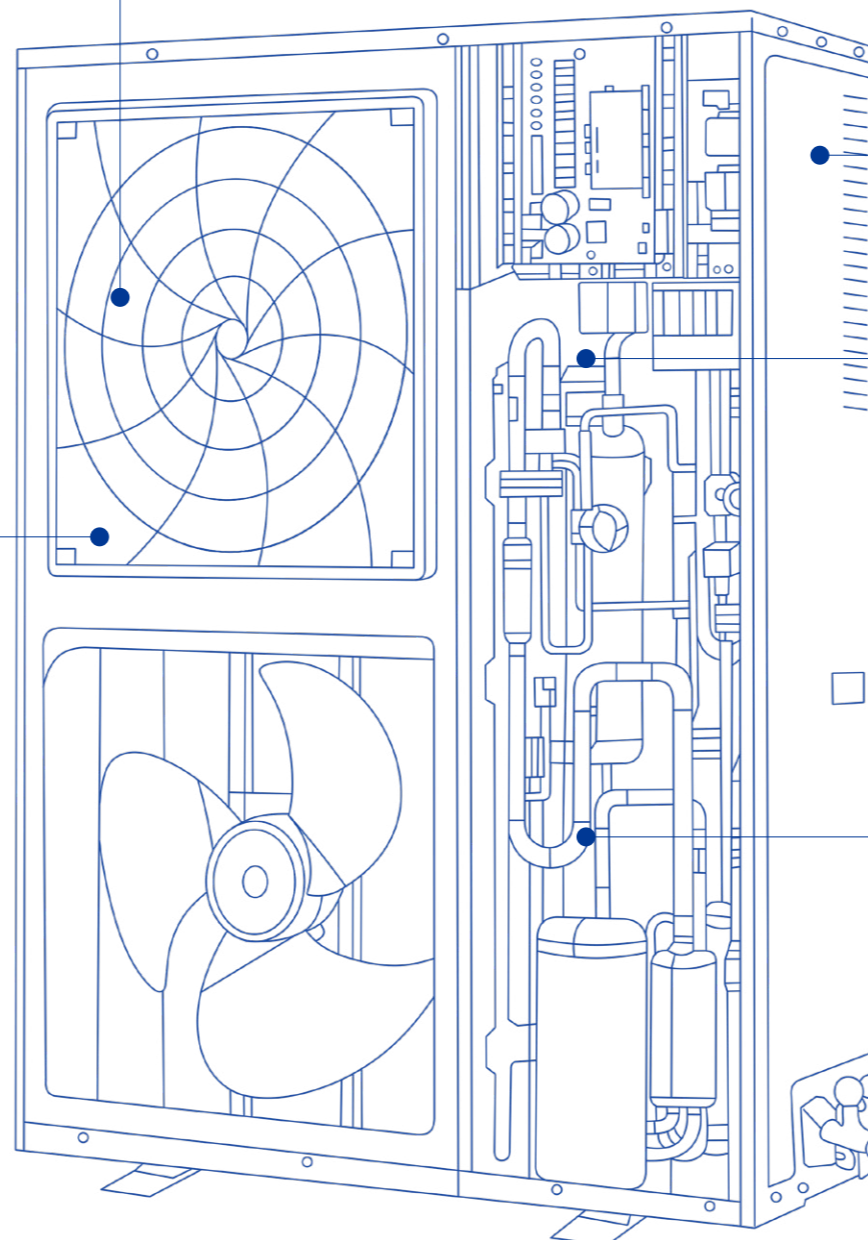
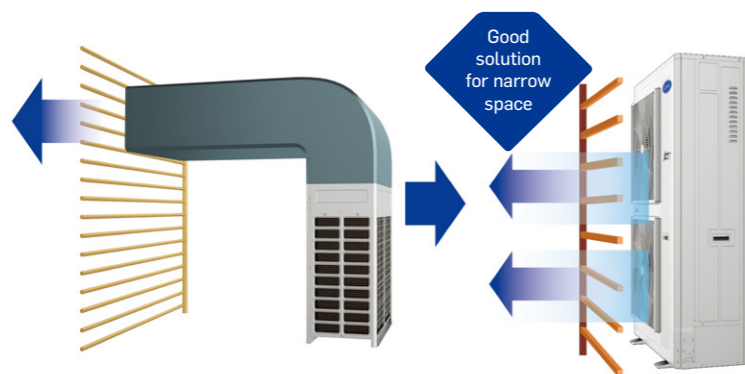
Easy Installation

- 1 **Double side '4' handles**
Easy to carry
- 2 **'888' test panel**
All running data and error codes can be checked from '888' screen, which is easy for installers
- 3 **Four-way pipe connection**
Four-way (front, back, left and right) pipe connection, easy to design and install



Compact Discharge Design

Big capacity, small footprint with only 0.42 m², to reduce floor area by as much as 43%. No need for an additional ventilation hood as compared to the top discharge unit.



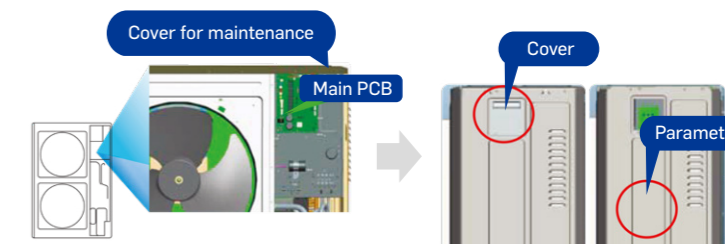
Easy Maintenance for Control

- **Front-facing, hinge design control box**
Reserving space by 108 mm between control box and top panel, the easy-to-open unit allows for maintenance from the top



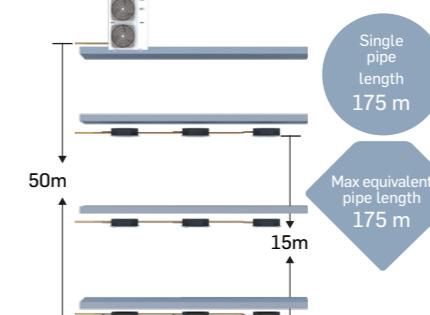
Parameter display panel

- **Parameter display panel**
The first original parameter display panel is on the side
The parameter can be observed directly by opening the protective cover
No need to remove the repair board



Long Pipe Length, High Height Drop

- **Long Pipe Length, High Height Drop**
Total pipe length: 300 m
Single pipe length: Max.175 m



Outdoor



Carrier Product Benefits

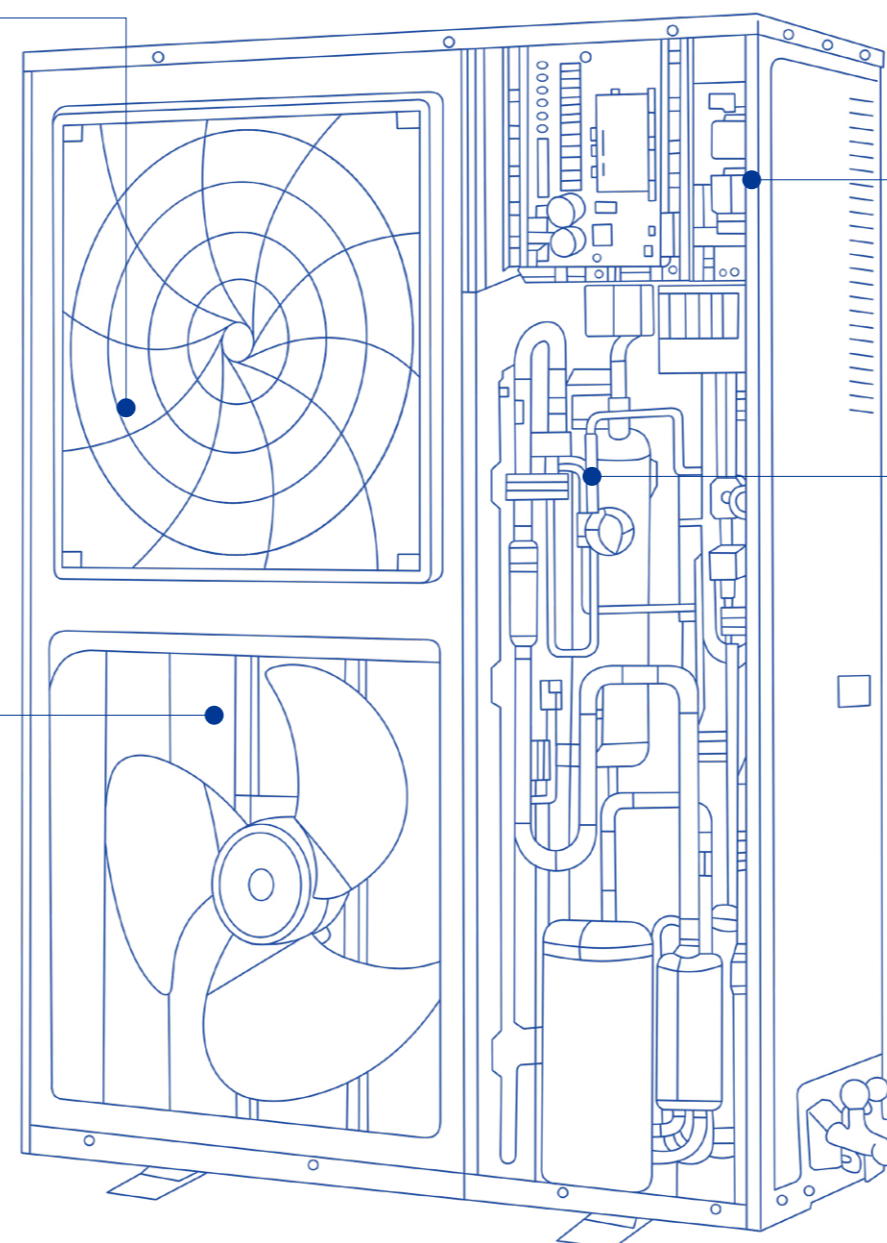
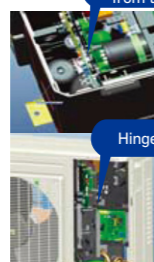
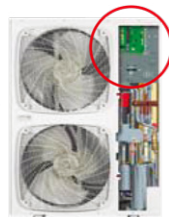
4/5/6 HP

8/10/12 HP



Easy Maintenance for Control

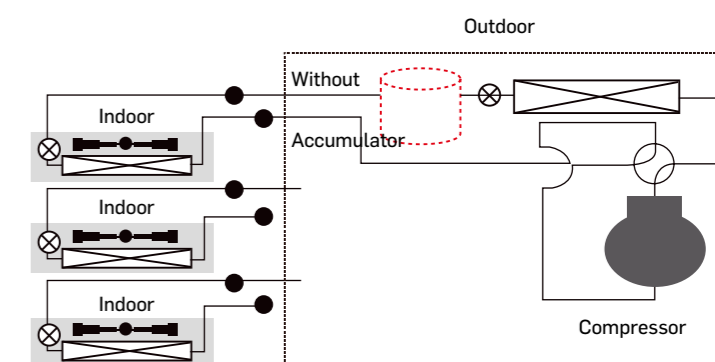
The control box is in front, reserving 108 mm between the control box and top panel, and along with the hinge design, allows for easy maintenance from the top



Ultimate Reliability

• **Refrigerant control technology**

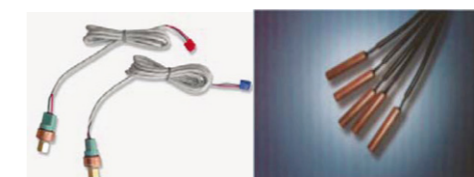
Refrigerant control technology without high pressure accumulator reduces the refrigerant volume and enhances the running efficiency



• **High and low double pressure sensor**

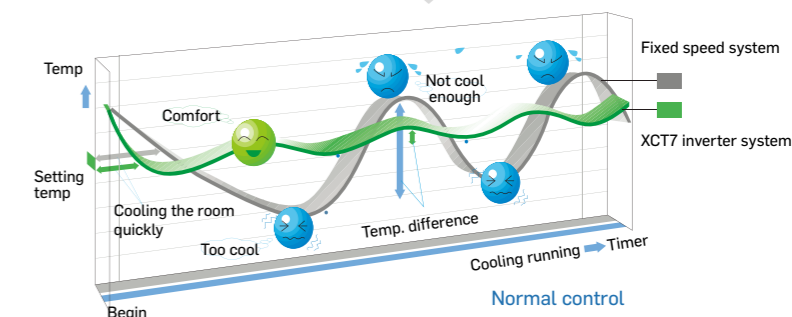
Double pressure sensors with PID control technology together with high speed communication allow quicker start of compressor and the more precise control.

The temperature can be controlled $\pm 0.5^{\circ}\text{C}$



• **Air inlet grill design on right side panel**

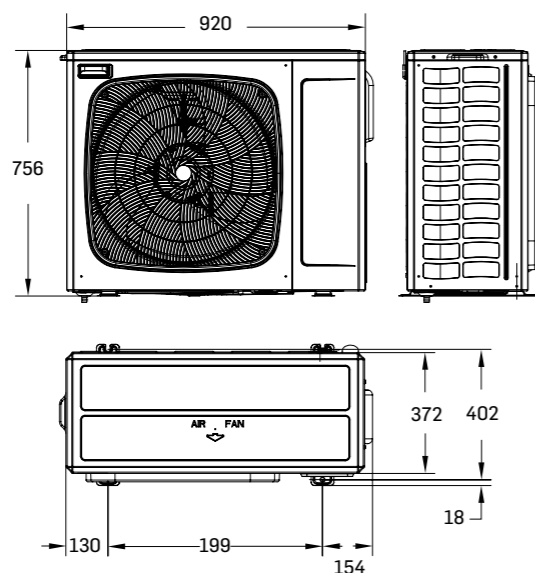
This is to effectively reduce the module temperature and avoid air dust entering the air conditioner



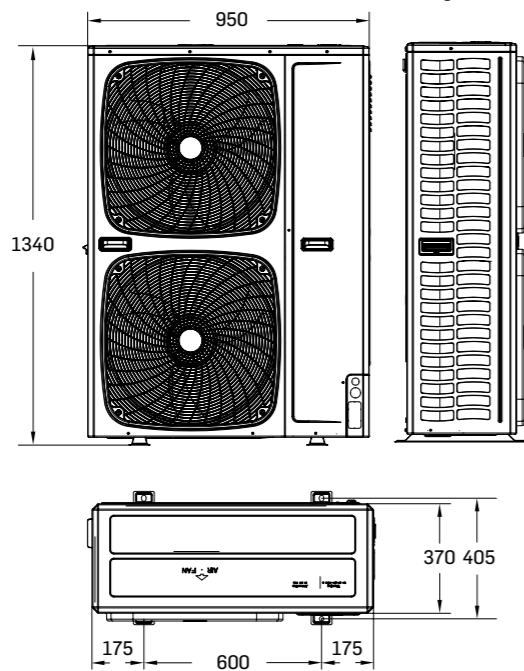


Dimensions (3-7HP Compact Range)

3 HP Single Fan Side Discharge

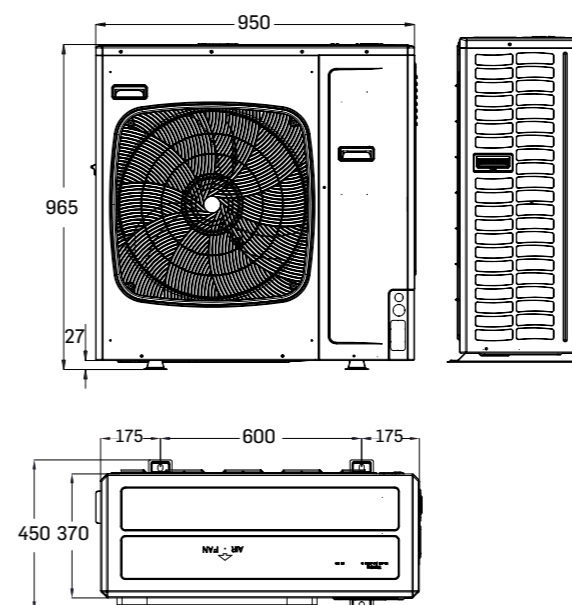


5/7 HP Dual Fan Side Discharge

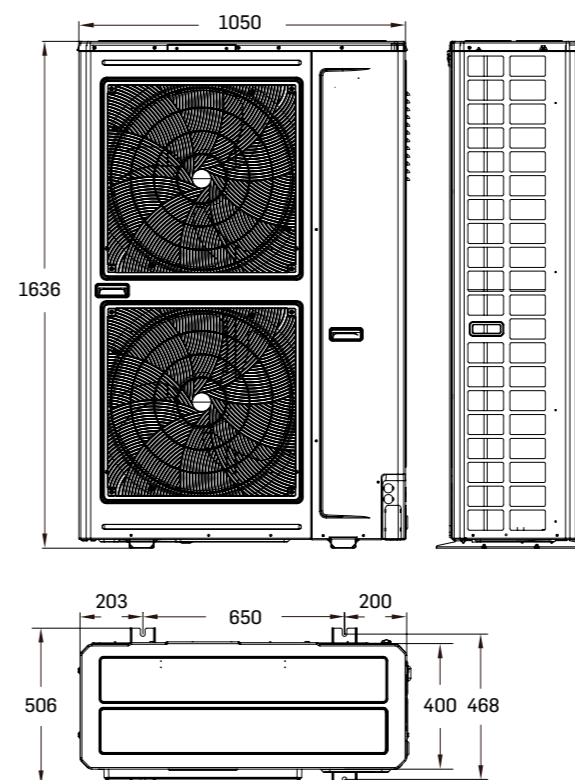


Dimensions (4-12HP)

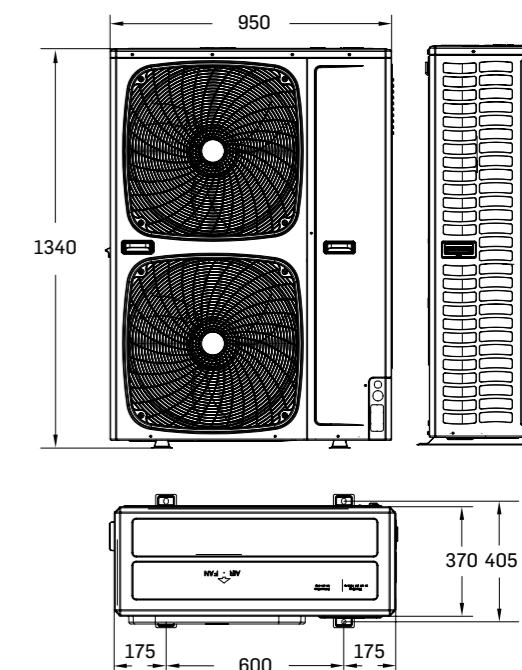
4/5 HP Single Fan Side Discharge



8/10/12 HP Side Discharge



4/5/6 HP Dual Fan Side Discharge



Outdoor

Specifications



SD HP Single fan 4-5HP

SD HP 2 fans 8-10-12 HP



Model Code		China	38VS125C7SHQSS	38VS140C7SHQSS
		Thailand	38VS125C7SHKSS	38VS140C7SHKSS
Capacity	Capacity range	HP	4.0	5.0
	Cooling	kW	12.5	14
	Heating	kW	14	16
Electrical Parameters	Power Supply	PH/V/Hz	1/220-240/50/60	1/220-240/50/60
	Power Input (Cooling)	kW	3.56	4.0
	Power Input (Heating)	kW	3.5	3.95
	EER	/	3.51	3.5
	COP	/	4.0	4.05
Performance	Air Flow (H)	m ³ /h	5400	5400
	Sound Pressure Level (H)	dB(A)	55	57
	Sound Power Level (H)	dB(A)	66	68
Installation	External Dimensions (W x D x H)	mm	950 x 370 x 965	950 x 370 x 965
	Shipping Dimensions (W x D x H)	mm	1010 x 458 x 990	1010 x 458 x 990
	Net /Shipping Weight	kg	90/102	90/102
	Compressor Type	/	Twin Rotary	Twin Rotary
	Compressor Quantity	/	1.0	1.0
	Compressor Power Input	kW	4.13	4.13
	Refrigerant Type	/	R410A	R410A
	Refrigerant Charge	kg	3.0	3.0
	Refrigerant Liquid Pipe	mm	9.52	9.52
	Refrigerant Gas Pipe	mm	15.88	15.88
	Total Pipe Length	m	120	120
	Max. Pipe Length (Equivalent/Actual)	m	70	70
	Max height difference between I.U. & O.U	m	30/20	30/20
	Max height difference between I.U. & I.U	m	10	10
Connection Ratio	Connectable Indoor Unit Ratio	%	50-150	50-150
	Maximum Number Of Indoor Units	/	8.0	10
Working Temp.	Cooling	°C	-5-52	-5-52
	Heating	°C	-15-21	-15-21

Model Code		China	38VS226174HQSS	38VS280174HQSS	38VS335174HQSS
		Thailand	38VS226174HKSS	38VS280174HKSS	38VS335174HKSS
Capacity	Capacity range	HP	8 HP	10 HP	12 HP
	Cooling	kBtu/h	77.1	95.5	114.3
		kW	22.6	28	33.5
	Heating	kW	85.3	107.5	128
PH/V/Hz		25	31.5	37.5	
Electrical Parameters	Power Supply	kW	3/380-400/50/60	3/380-400/50/60	3/380-400/50/60
	Power Input (Cooling)	kW	5.79	8.0	9.75
	Power Input (Heating)	/	5.43	7.5	9.62
	EER/COP	/	3.9/4.6	3.5/4.2	3.44/3.9
Performance	Air Flow (H)	m ³ /h	10000	10000	10000
	Sound Pressure Level (H)	dB(A)	55	58	60
	Sound Power Level (H)	dB(A)	66	69	71
Installation	External Dimensions (W x D x H)	mm	1050 x 400 x 1636	1050 x 400 x 1636	1050 x 400 x 1636
	Shipping Dimensions (W x D x H)	mm	1150 x 510 x 1790	1150 x 510 x 1790	1150 x 510 x 1790
	Net /Shipping Weight	kg	168/183	168/183	168/183
	Compressor Type	/	Twin Rotary	Twin Rotary	Twin Rotary
	Compressor Quantity	/	1 INV	1 INV	1 INV
	Compressor Power Input	kW	5.2	5.2	5.2
	Refrigerant Type	/	R410A	R410A	R410A
	Refrigerant Charge	kg	6.1	6.1	6.1
	Refrigerant Liquid Pipe	mm	9.52	12.7	12.7
	Refrigerant Gas Pipe	mm	19.05	22.22	25.4
	Total Pipe Length	m	300	300	300
	Max. Pipe Length (Equivalent/Actual)	m	175/150	175/150	175/150
	Max height difference between I.U. & O.U	m	50	50	50
	Max height difference between I.U. & I.U	m	15	15	15
Connection Ratio	Connectable Indoor Unit Ratio	%	50-130	50-130	50-130
	Maximum Number Of Indoor Units	/	13	16	16
Working Temp.	Cooling		-5-48	-5-48	-5-48
	Heating		-20-27	-20-27	-20-27

*All the specifications are tested under nominal condition(In cooling, Indoor temp is 27°C DB/19°C WB; Outdoor temp 35°C DB/24°C WB; In heating, Indoor temp is 20°C DB, Outdoor temp is 7°C DB/6°C WB)



Specifications

SD HP 2 fans 4-5-6 HP



Model Code		China	38VS12117SHQSS	38VS14017SHQSS	38VS15517SHQSS
		Thailand	38VS12117SHKSS	38VS14017SHKSS	38VS15517SHKSS
Capacity	Capacity range	HP	4.0	5.0	6.0
	Cooling	kW	12.1	14.0	15.5
	Heating	kW	14.2	16.0	18.0
Electrical Parameters	Power Supply	PH/V/Hz	1/220-240/50/60	1/220-240/50/60	1/220-240/50/60
	Power Input (Cooling)	kW	2.99	3.51	4.31
	Power Input (Heating)	kW	3.18	3.72	4.39
	EER	/	4.05	3.99	3.60
	COP	/	4.47	4.30	4.10
Performance	Air Flow (H)	m ³ /h	7200	7200	7200
	Sound Pressure Level (H)	dB(A)	57	58	59
	Sound Power Level (H)	dB(A)	68	69	70
Installation	External Dimensions (W x D x H)	mm	950 x 370 x 1340	950 x 370 x 1340	950 x 370 x 1340
	Shipping Dimensions (W x D x H)	mm	1023 x 483 x 1492	1023 x 483 x 1492	1023 x 483 x 1492
	Net /Shipping Weight	kg	115/123	115/123	115/123
	Compressor Type	/	Twin Rotary	Twin Rotary	Twin Rotary
	Compressor Quantity	/	1.0	1.0	1.0
	Compressor Power Input	kW	4.13	4.13	4.13
	Refrigerant Type	/	R410A	R410A	R410A
	Refrigerant Charge	kg	4.0	4.0	4.0
	Refrigerant Liquid Pipe	mm	9.52	9.52	9.52
	Refrigerant Gas Pipe	mm	15.88	15.88	15.88
	Total Pipe Length	m	300	300	300
	Max. Pipe Length (Equivalent/Actual)	m	175/150	175/150	175/150
	Max height difference between I.U. & O.U	m	50	50	50
Max height difference between I.U. & I.U	m	15	15	15	
Connection Ratio	Connectable Indoor Unit Ratio	%	50-130	50-130	50-130
	Maximum Number Of Indoor Units	/	8.0	10	13
Working Temp.	Cooling	°C	-15-48	-15-48	-15-48
	Heating	°C	-20-27	-20-27	-20-27

*All the specifications are tested under nominal condition(In cooling, Indoor temp is 27°C DB/19°C WB; Outdoor temp 35°C DB/24°C WB; In heating, Indoor temp is 20°C DB, Outdoor temp is 7°C DB/6°C WB)

Model Code		China	38VS121173HQSS	38VS140173HQSS	38VS155173HQSS
		Thailand	38VS121173HKSS	38VS140173HKSS	38VS155173HKSS
Capacity	Capacity range	HP	4.0	5.0	6.0
	Cooling	kW	12.1	14.0	15.5
	Heating	kW	14.2	16.0	18.0
Electrical Parameters	Power Supply	PH/V/Hz	3/380-415/50/60	3/380-415/50/60	3/380-415/50/60
	Power Input (Cooling)	kW	2.99	3.51	4.31
	Power Input (Heating)	kW	3.18	3.72	4.39
	EER	/	4.05	3.99	3.60
	COP	/	4.47	4.30	4.10
Performance	Air Flow (H)	m ³ /h	7200	7200	7200
	Sound Pressure Level (H)	dB(A)	57	58	59
	Sound Power Level (H)	dB(A)	68	69	70
Installation	External Dimensions (W x D x H)	mm	950 x 370 x 1340	950 x 370 x 1340	950 x 370 x 1340
	Shipping Dimensions (W x D x H)	mm	1023 x 483 x 1492	1023 x 483 x 1492	1023 x 483 x 1492
	Net /Shipping Weight	kg	115/123	115/123	115/123
	Compressor Type	/	Twin Rotary	Twin Rotary	Twin Rotary
	Compressor Quantity	/	1.0	1.0	1.0
	Compressor Power Input	kW	4.06	4.06	4.06
	Refrigerant Type	/	R410A	R410A	R410A
	Refrigerant Charge	kg	4.0	4.0	4.0
	Refrigerant Liquid Pipe	mm	9.52	9.52	9.52
	Refrigerant Gas Pipe	mm	15.88	15.88	15.88
	Total Pipe Length	m	300	300	300
	Max. Pipe Length (Equivalent/Actual)	m	175/150	175/150	175/150
	Max height difference between I.U. & O.U	m	50	50	50
Max height difference between I.U. & I.U	m	15	15	15	
Connection Ratio	Connectable Indoor Unit Ratio	%	50-130	50-130	50-130
	Maximum Number Of Indoor Units	/	8.0	10	13
Working Temp.	Cooling	°C	-15-48	-15-48	-15-48
	Heating	°C	-20-27	-20-27	-20-27



Specifications

SD HP compact 3-5-7HP



Model Code		38VS080L7SHQSS	38VS140L7SHQSS
Capacity (HP)	HP	3 HP	5 HP
Nominal Cooling Capacity	kW	8.0	14.0
Nominal Heating Capacity	kW	9.5	16
Electric Data	Power	PH/V/Hz	1/220-240/50/60
	Cooling	Rated Power	kW
	Heating	Rated Power	kW
	EER	/	
	COP	/	
Fan	Air Flow (H)	m ³ /h	
Noise	Sound Pressure Level (H)	dB(A)	
	Sound Power Level (H)	dB(A)	
Dimension	External Dimensions (W x D x H)	mm	
	Shipping Dimensions (W x D x H)	mm	
Net/Shipping Weight	kg		
Compressor	Compressor Type	/	
	Compressor Quantity	/	
	Compressor Power Input	kW	
Refrigerant	Refrigerant Type	/	
	Refrigerant	kg	
Pipe	Gas Pipe	mm	
	Liquid Pipe	mm	
Connection Pipe	Total Pipe	m	
	Farthest Pipe Length	m	
	Height Difference Between Indoor And Outdoor: Outdoor Top/Indoor Bottom	m	
	Height Difference Between Indoors	m	
Connection Range	Connection Range	%	
	Maximum Number Of Indoor	/	
Operation Range	Cooling	°C	
	Heating	°C	

Model Code		38VS180L7SHQSS	38VS180L74HQSS
Capacity (HP)	HP	7 HP	7 HP
Nominal Cooling Capacity	kW	18.0	18.0
Nominal Heating Capacity	kW	20.0	20.0
Electric Data	Power	PH/V/Hz	1/220-240/50/60
	Cooling	Rated Power	kW
	Heating	Rated Power	kW
	EER	/	
	COP	/	
Fan	Air Flow (H)	m ³ /h	
Noise	Sound Pressure Level (H)	dB(A)	
	Sound Power Level (H)	dB(A)	
Dimension	External Dimensions (W x D x H)	mm	
	Shipping Dimensions (W x D x H)	mm	
Net/Shipping Weight	kg		
Compressor	Compressor Type	/	
	Compressor Quantity	/	
	Compressor Power Input	kW	
Refrigerant	Refrigerant Type	/	
	Refrigerant	kg	
Pipe	Gas Pipe	mm	
	Liquid Pipe	mm	
Connection Pipe	Total Pipe	m	
	Farthest Pipe Length	m	
	Height Difference Between Indoor And Outdoor: Outdoor Top/Indoor Bottom	m	
	Height Difference Between Indoors	m	
Connection Range	Connection Range	%	
	Maximum Number Of Indoor	/	
Operation Range	Cooling	°C	
	Heating	°C	

* 1 Indoor temperature: 27°CDB, 19°CWB/ outdoor temperature: 35°C DB, 24°C WB/equivalent pipe length: 7.5m, height difference: 0m
 * 2 Indoor temperature: 20°CDB, 14.5°CWB/ outdoor temperature: 7°C DB, 6°C WB/equivalent pipe length: 7.5m, height difference: 0m

*3 The noise value is the conversion value of the full anechoic chamber measured in the semi-anechoic chamber. It is generally higher than this noise value due to the influence of ambient noise and reflected sound.



INDOOR UNITS

065	ONE-WAY CASSETTE	103	HIGH STATIC DUCT (100/196PA)
069	TWO-WAY CASSETTE	107	HIGH STATIC DUCT (0/200PA)
073	COMPACT FOUR-WAY CASSETTE	113	HIGH WALL
077	FOUR-WAY CASSETTE	117	TWO-WAY CONSOLE
081	ROUND-WAY CASSETTE	121	CONSOLE-RECESSED
087	SLIM DUCT	123	FLEX CEILING FLOOR (DC MOTOR)
091	STANDARD STATIC DUCT (50/100PA)	129	OUTSIDE AIR UNIT
095	STANDARD STATIC DUCT (20/200PA)	133	HRV
099	MEDIUM STATIC DUCT (50/120PA)		



Benefits Glance Over

	Features	CASSETTE					DUCT	
		ONE-WAY CASSETTE	TWO-WAY CASSETTE	COMPACT FOUR-WAY CASSETTE	FOUR-WAY CASSETTE	ROUND-WAY CASSETTE	SLIM DUCT	STANDARD STATIC DUCT (50-100PA)
		40VU1	40VU2	40VUC	40VUC&S	40VUR	40VDL	40VDS*G
Comfortable	Washable filter included: • Ensures clean air • Extends the life of the fan	●	●	●	●	●	●	●
	Independent control of the air flow directions: • Flexible control for different needs • Ensures comfortable environment					●		
	Multi-gear air speed selection: • Meet different requirements of installation & usage	●	●	●	●	●	●	●
	Presence sensor (optional): • Automatically switches on & off when people come in & out • Energy conservation					● (Optional)		
	• Brushless DC motor: • Operation noise reduced	●		●		●	●	
Aesthetic	• Streamlined design • Easily fits in with different interior designs	●	●			●		
	• Ultra-thin & compact design • Save ceiling space	●	●	●		●	●	●
Convenient	• Optional location of air return (front air return & back air return) • Friendly Installation						●	●
	Easy disassembly of the maintenance panel	●	●			●		
	• Adjustable static pressure • Flexible selection according to the actual installation						●	●
	• Standard drain pump • Drain water discharged easily	●	●	●	●	●	●	●
	Fresh air vent reserved			●	●	●		●
Intelligent	Centralized control compatible	●	●	●	●	●	●	●
	Room card	●	●	●	●	●	●	●
	Cleaning reminder of the washable filter	●	●	●	●	●	●	●

DUCT				WALL MOUNTED UNIT	FLOOR STANDING UNITS		CEILING FLOOR	VENTILATION	
STANDARD STATIC DUCT (20/200 PA)	MEDIUM STATIC DUCT (50/120 PA)	HIGH STATIC DUCT (100/196 PA)	HIGH STATIC DUCT (0/250 PA)	HIGH WALL	TWO-WAY CONSOLE	CONSOLE - RECESSED	FLEX CEILING FLOOR DC FAN	OUTSIDE AIR UNIT	HRV
40VDS*S	40VDR	40VDH*G	40VDH*S	40VKS	40VLB	40VLR	40VCF*S	40VDA	40VH
●	●	●	●	●	●	●	●	●	●
				●			●		
●			●	●	●		●		
				●	●		●		
●			●						
●	●								
●									
●	●	●	●					●	
●	(Optional)	(Optional)	72/96 not included					(Optional)	
●	●	●	●				●	●	
●	●	●	●	●	●	●	●	●	●
●	●	●	●	●	●	●	●	●	
●	●	●	●	●	●	●	●	●	



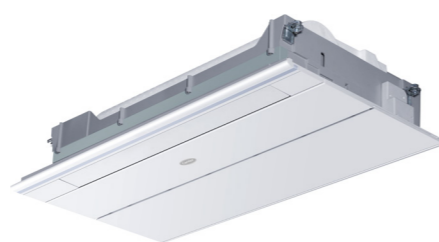
Indoor





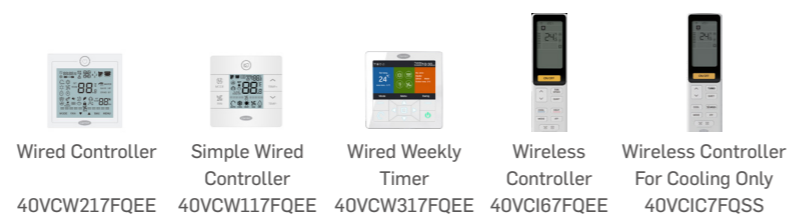
Indoor

ONE-WAY CASSETTE (DC MOTOR) 40VU1



- Slim & elegant design only 185mm in height
- DC powered fan with industry-leading noise levels down to 24dB (A)
- Service port saved by return air panel to conveniently maintain the unit
- Built-in drain pump
- Unique ceiling anti-fouling design

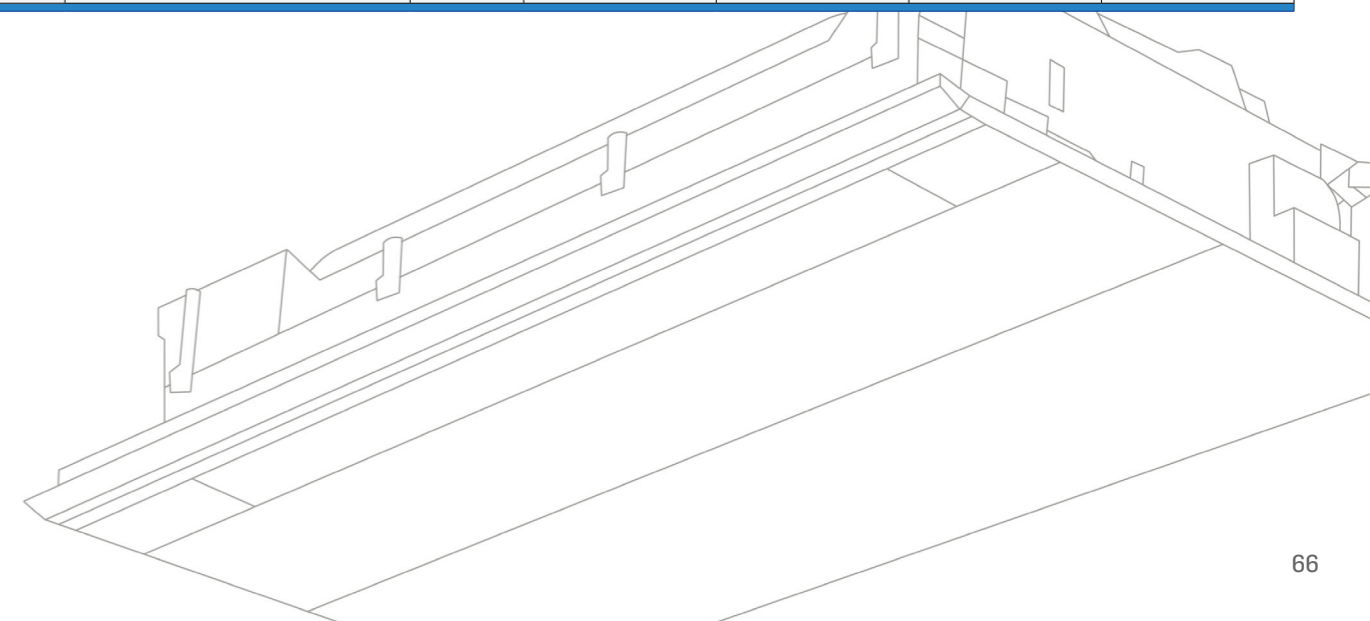
Optional Panel: 40VPU01217EQEE

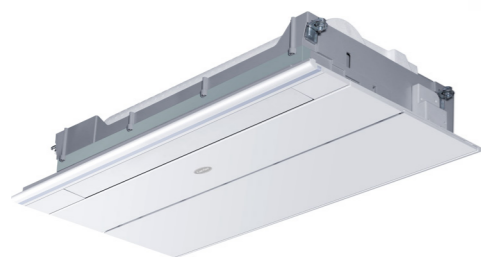


Specifications

COOLING HEATING

Model Code	Item	Unit	40VU0051-7E-QEE	40VU0071-7E-QEE	40VU0091-7E-QEE	40VU0121-7E-QEE
Capacity	Cooling	kBtu/h	5.1	7.5	9.6	12.3
		kW	1.5	2.2	2.8	3.6
	Heating	kBtu/h	5.8	8.5	10.9	13.6
		kW	1.7	2.5	3.2	4.0
Electrical Parameters	Power Supply	Ph/V/Hz	1/220-230/50/60	1/220-230/50/60	1/220-230/50/60	1/220-230/50/60
	Power Consumption	W	21	21	21	23
Performance	Air Flow (H/M/L)	m³/h	530/490/450	530/490/450	530/490/450	550/530/490
	Sound Pressure Level(H/M/L)	dB(A)	32/29/24	32/29/24	32/29/24	34/30/25
	Sound Power Level(H/M/L)	dB(A)	46/43/38	46/43/38	46/43/38	48/44/39
Installation	External Dimensions(W x D x H)	mm	875 x 505 x 185	875 x 505 x 185	875 x 505 x 185	875 x 505 x 185
	Shipping Dimensions(W x D x H)	mm	1028 x 581 x 270	1028 x 581 x 270	1028 x 581 x 270	1028 x 581 x 270
	Net/Shipping Weight	kg	15.3/17.9	15.3/17.9	15.3/17.9	15.3/17.9
	Refrigerant Liquid Pipe	mm	6.35	6.35	6.35	6.35
	Refrigerant Gas Pipe	mm	9.52	9.52	9.52	12.7
Panel	Model Code	/	40VPU01217EQEE	40VPU01217EQEE	40VPU01217EQEE	40VPU01217EQEE
	External Dimensions(W x D x H)	mm	1050 x 560 x 122	1050 x 560 x 122	1050 x 560 x 122	1050 x 560 x 122
	Shipping Dimensions(W x D x H)	mm	1133 x 623 x 197	1133 x 623 x 197	1133 x 623 x 197	1133 x 623 x 197
	Net/shipping Weight	kg	5.3/8.3	5.3/8.3	5.3/8.3	5.3/8.3

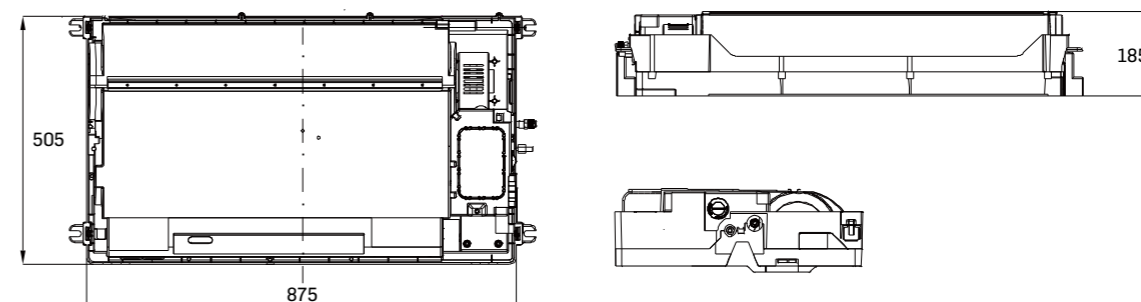




ONE-WAY CASSETTE (DC MOTOR)

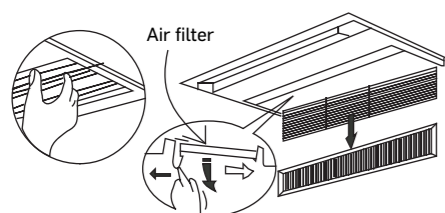


Dimensions



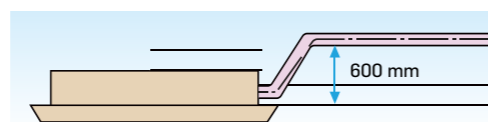
Easy Service & Maintenance

- Easy removal of air filters for cleaning
- Easy access to indoor unit components



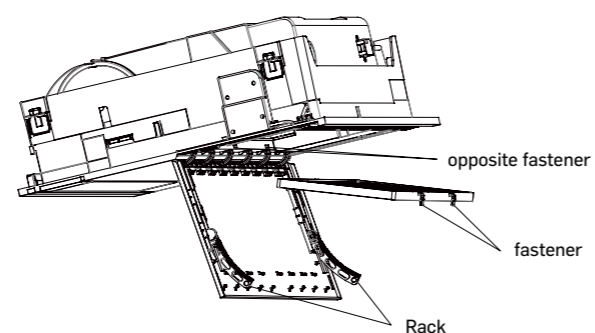
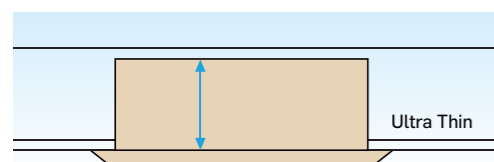
Standard Built-in Drain Pump

Standard built-in drain pump with 600 mm pumphead and slim body makes the installation free from limitation of story height.

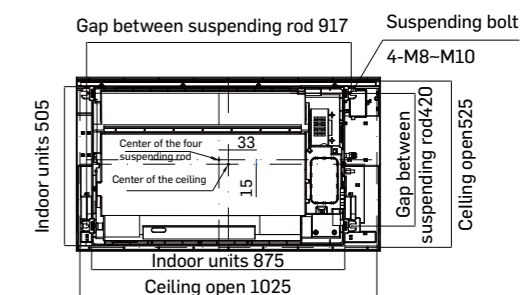
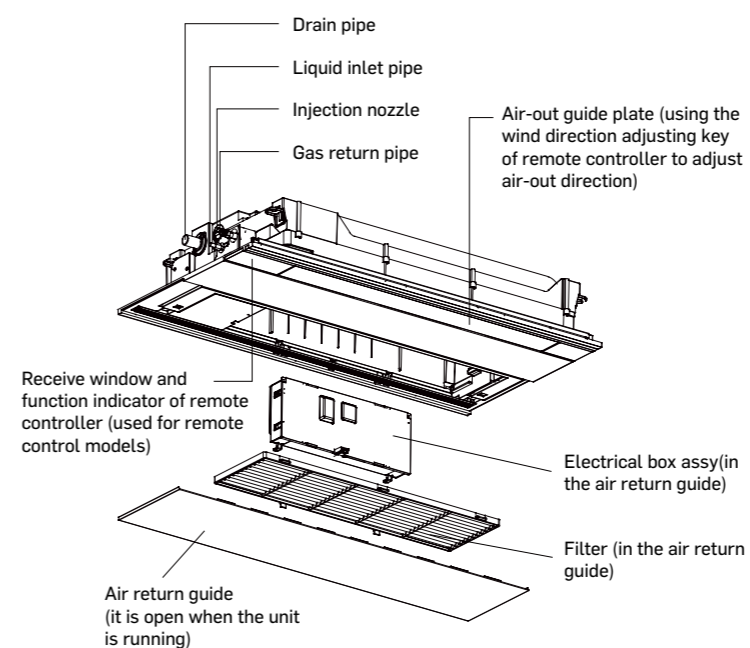


Height 185 mm Only

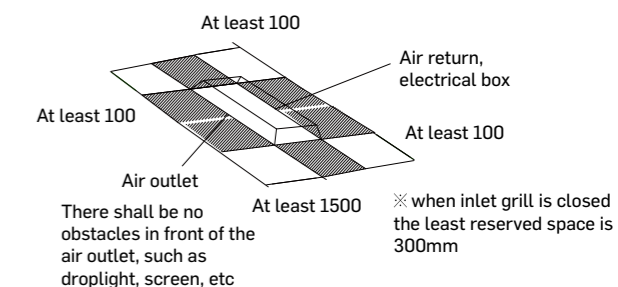
Compact design, slim body with a min. height of 185 mm only, especially suitable for spaces with a narrow ceiling, such as lobbies, small-size meeting room, mansions, restaurant, etc.

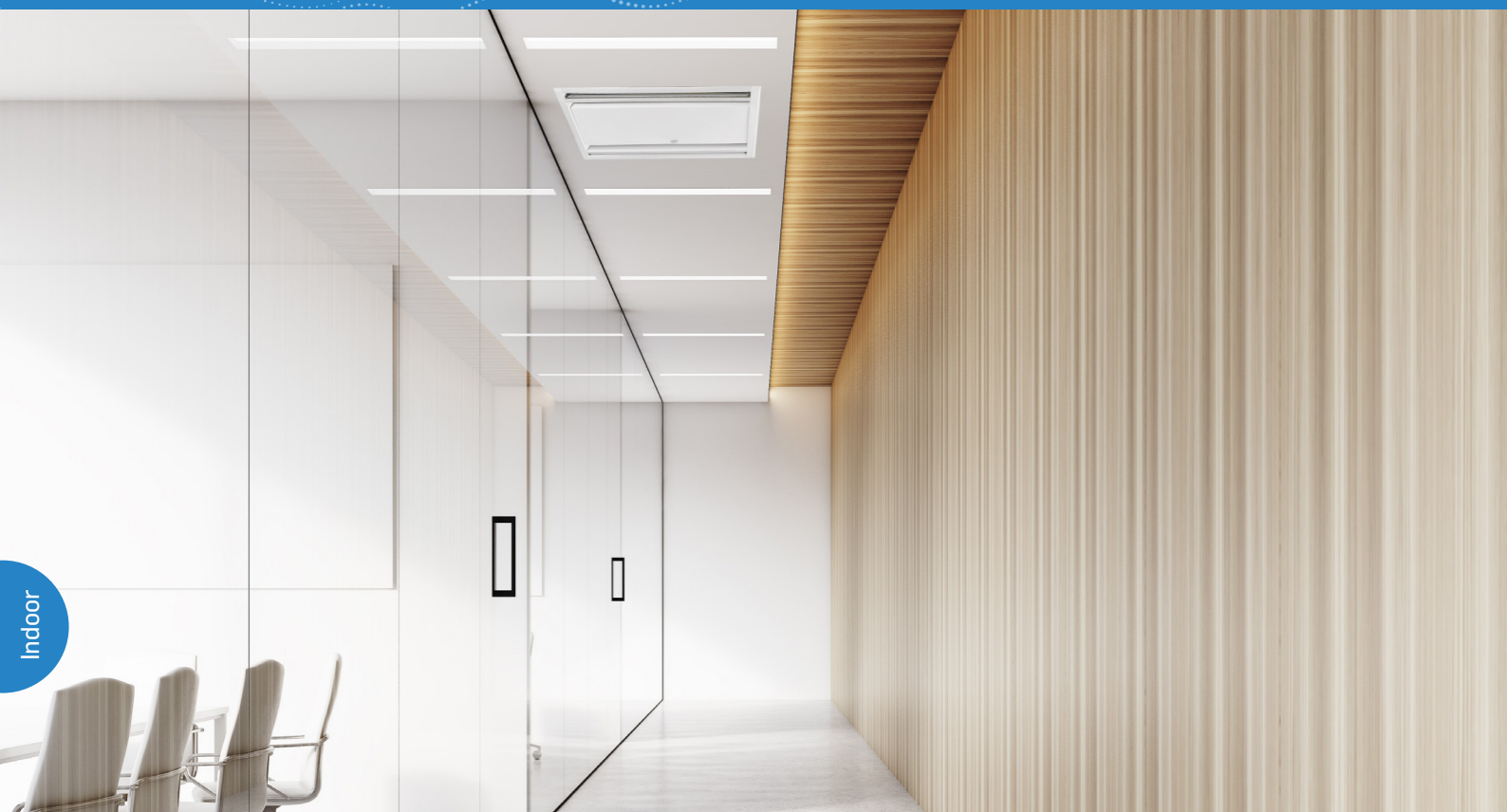


Installation & Service



Installation space





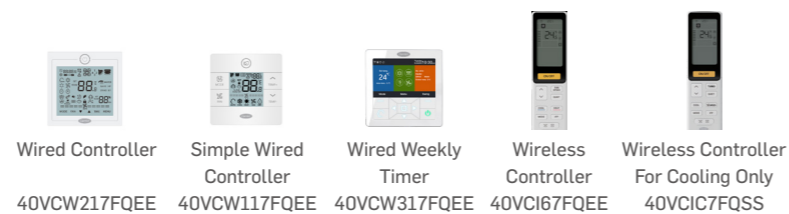
Indoor

TWO-WAY CASSETTE (AC MOTOR) 40VU2



- Compact design: only 220 mm in height
- Built-in drain pump
- Unique ceiling anti-fouling design
- Dual air supply to distribute air in two directions with quiet operation

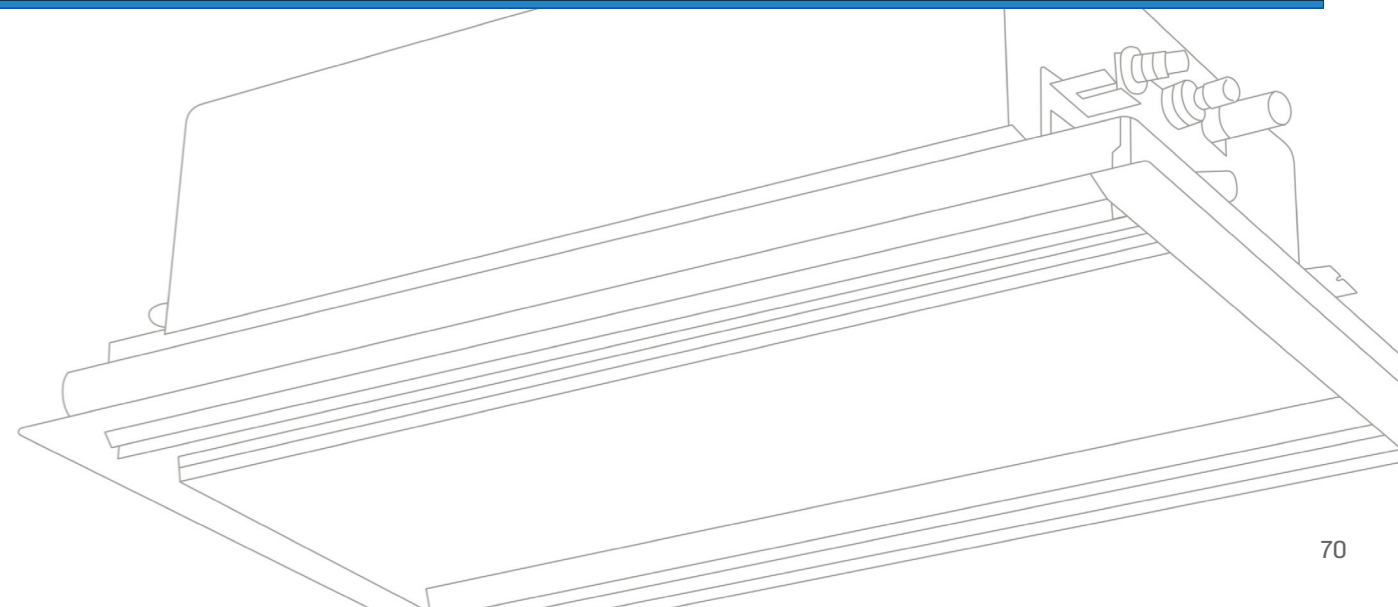
Optional Panel: 40VPU01827GQEE



Specifications



Model Code	Item	Unit	40VU0072-7G-QEE	40VU0092-7G-QEE	40VU0122-7G-QEE	40VU0162-7G-QEE	40VU0182-7G-QEE
Capacity	Cooling	kBtu/h	7.5	9.6	12.3	15.4	19.1
		kW	2.2	2.8	3.6	4.5	5.6
	Heating	kBtu/h	8.5	10.9	13.6	17.1	21.5
		kW	2.5	3.2	4.0	5.0	6.3
Electrical Parameters	Power Supply	Ph/V/Hz	1/220-230/50/60	1/220-230/50/60	1/220-230/50/60	1/220-230/50/60	1/220-230/50/60
	Power Consumption	W	90	90	90	110	110
Performance	Air Flow (H/M/L)	m ³ /h	840/700/550	840/700/550	840/700/550	840/700/550	840/700/550
	Sound Pressure Level(H/M/L)	dB(A)	42/37/33	42/37/33	42/37/33	44/39/34	44/39/34
	Sound Power Level(H/M/L)	dB(A)	55/50/46	55/50/46	55/50/46	57/52/47	57/52/47
Installation	External Dimensions(W x D x H)	mm	817 x 620 x 220	817 x 620 x 220	817 x 620 x 220	817 x 620 x 220	817 x 620 x 220
	Shipping Dimensions(W x D x H)	mm	1015 x 695 x 260	1015 x 695 x 260	1015 x 695 x 260	1015 x 695 x 260	1015 x 695 x 260
	Net/Shipping Weight	kg	21/23	21/23	21/23	21/23	21/23
	Refrigerant Liquid Pipe	mm	6.35	6.35	6.35	6.35	6.35
	Refrigerant Gas Pipe	mm	9.52	9.52	12.7	12.7	12.7
Panel (optional)	Model Code	/	40VPU01827GQEE	40VPU01827GQEE	40VPU01827GQEE	40VPU01827GQEE	40VPU01827GQEE
	External Dimensions(W x D x H)	mm	1055 x 680 x 68	1055 x 680 x 68	1055 x 680 x 68	1055 x 680 x 68	1055 x 680 x 68
	Shipping Dimensions(W x D x H)	mm	1110 x 720 x 160	1110 x 720 x 160	1110 x 720 x 160	1110 x 720 x 160	1110 x 720 x 160
	Net/shipping Weight	kg	7/8	7/8	7/8	7/8	7/8





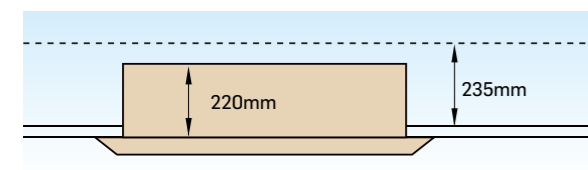
TWO-WAY CASSETTE (AC MOTOR)



Indoor

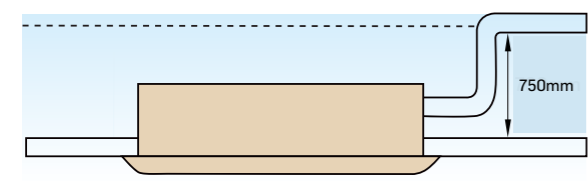
Stylish Design & Slim Body

Thanks to the stylish appearance and slim body, the unit can be harmonious with the room decoration. The sleek body, just 220 mm in height, needs only a small ceiling space to be suspended. Installation is free of story height limitations which makes design and decoration much more flexible.

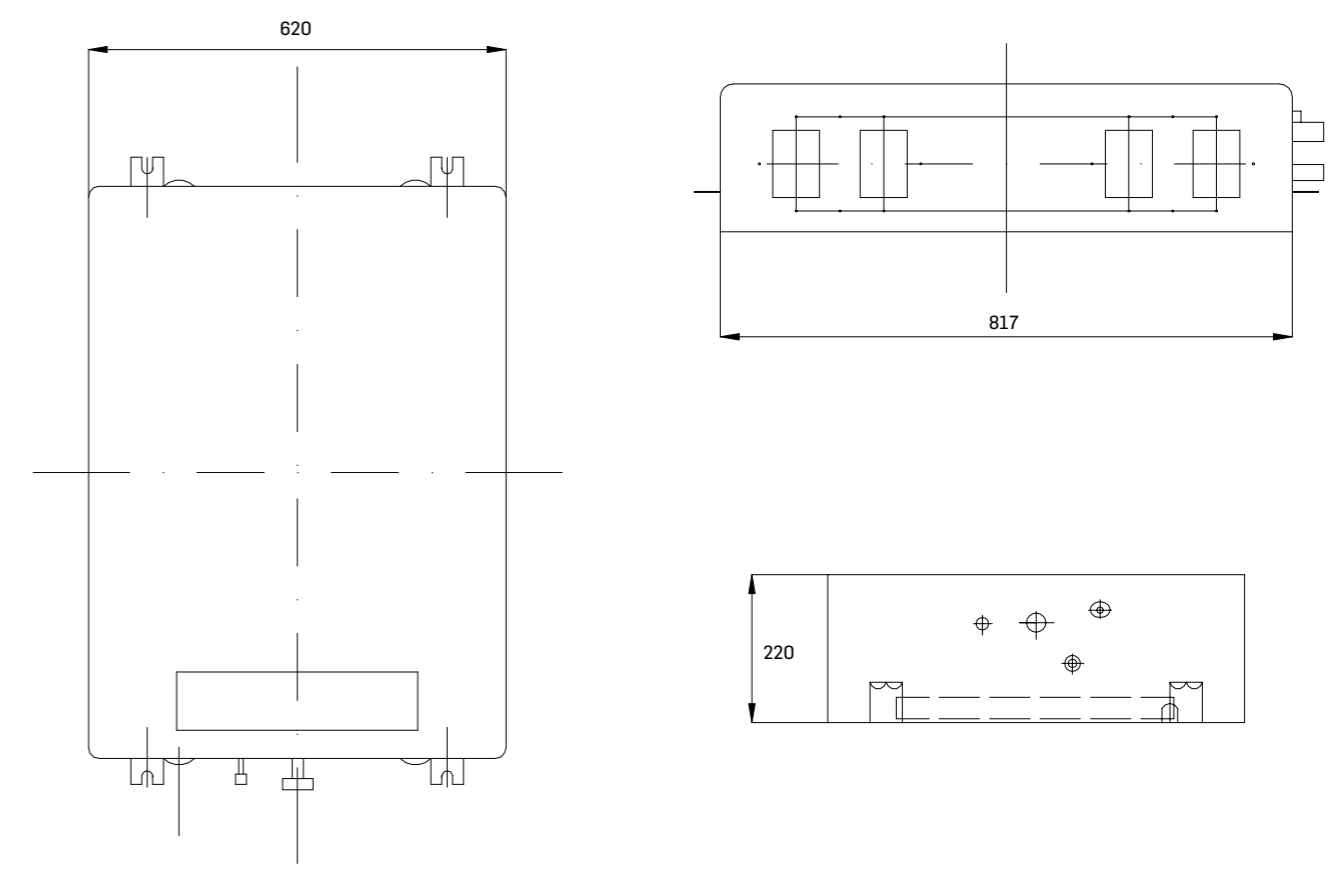


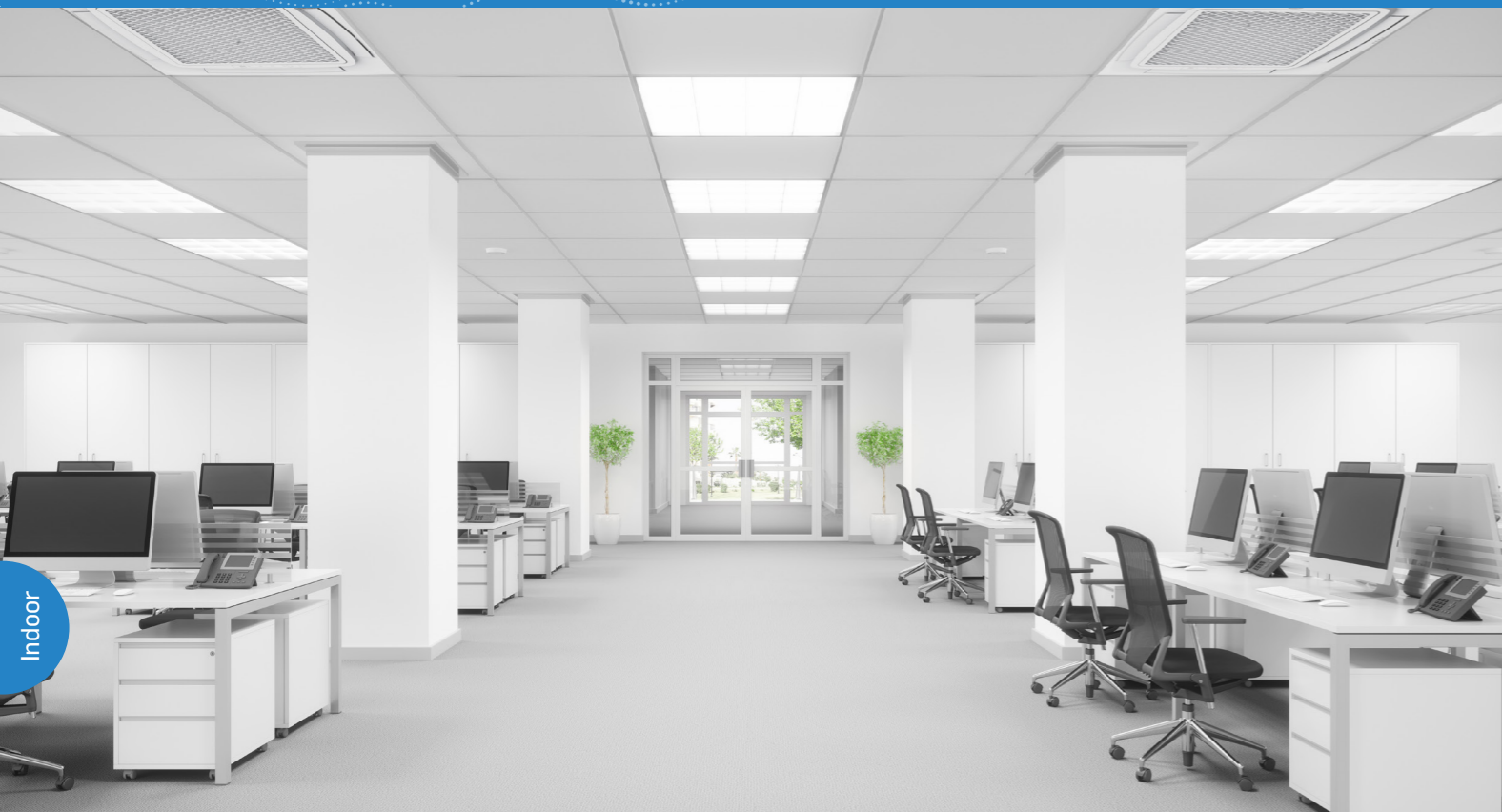
Standard Built-in Drain Pump

Standard built-in drain pump with 750 mm pump head. Flat-type suction grille design makes maintenance work very easy.



Dimensions





Indoor

Specifications



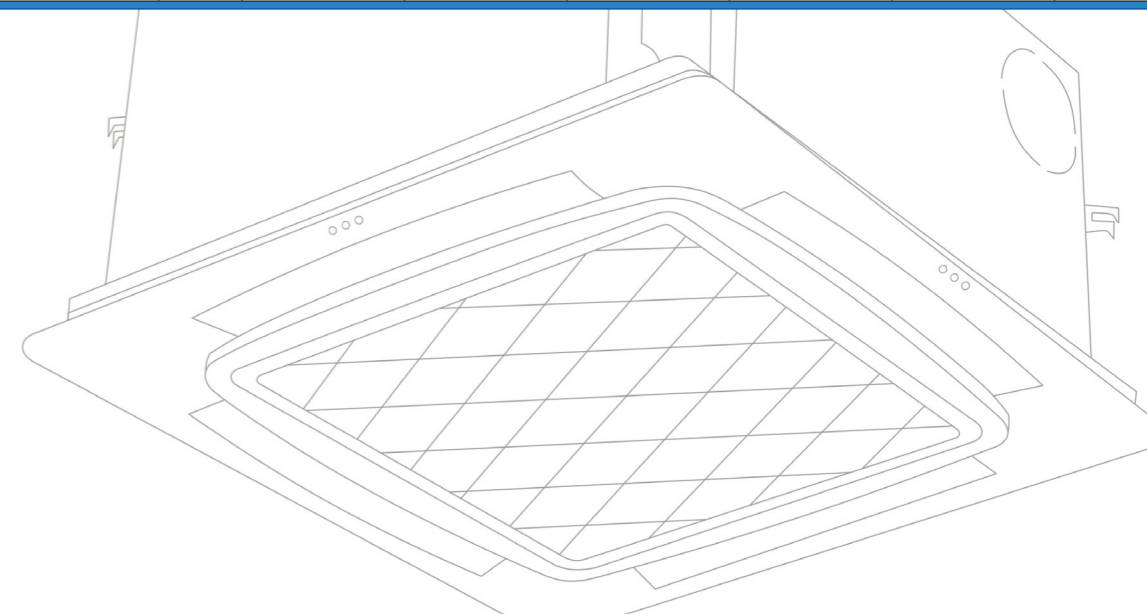
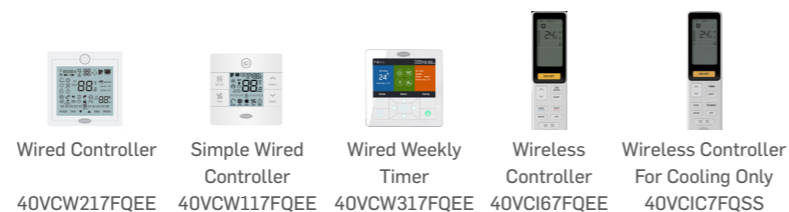
Model Code	Item	Unit	40VU005C-7S-QEE	40VU007C-7S-QEE	40VU009C-7S-QEE	40VU012C-7S-QEE	40VU016C-7S-QEE	40VU018C-7S-QEE
Capacity	Cooling	kBtu/h	5.1	7.5	9.5	12.3	15.3	19.1
		kW	1.5	2.2	2.8	3.6	4.5	5.6
	Heating	kBtu/h	5.8	8.5	10.9	13.6	17.1	21.5
		kW	1.7	2.5	3.2	4.0	5.0	6.3
Electrical Parameters	Power Supply	Ph/V/Hz	1/220-240/50/60	1/220-240/50/60	1/220-240/50/60	1/220-240/50/60	1/220-240/50/60	1/220-240/50/60
	Power Consumption	W	17	17	17	18	26	35
Performance	Air Flow (H/M/L)	m³/h	520/450/400	520/450/400	520/450/400	520/450/400	650/520/450	760/650/520
	Sound Pressure Level(H/M/L)	dB(A)	32/30/29	32/30/29	32/30/29	33/30/29	33/30/29	34/32/30
	Sound Power Level(H/M/L)	dB(A)	46/44/43	46/44/43	46/44/43	47/44/43	47/44/43	48/46/44
Installation	External Dimensions(W x D x H)	mm	570 x 570 x 260	570 x 570 x 260	570 x 570 x 260	570 x 570 x 260	570 x 570 x 260	570 x 570 x 260
	Shipping Dimensions(W x D x H)	mm	718 x 680 x 380	718 x 680 x 380	718 x 680 x 380	718 x 680 x 380	718 x 680 x 380	718 x 680 x 380
	Net/Shipping Weight	kg	16/19	16/19	16/19	19/22	19/22	19/22
	Refrigerant Liquid Pipe	mm	6.35	6.35	6.35	6.35	6.35	6.35
	Refrigerant Gas Pipe	mm	9.52	9.52	9.52	12.7	12.7	12.7
Panel (optional)	Model Code	/	40VPU018C7SQEE	40VPU018C7SQEE	40VPU018C7SQEE	40VPU018C7SQEE	40VPU018C7SQEE	40VPU018C7SQEE
	External Dimensions(W x D x H)	mm	620 x 620 x 60	620 x 620 x 60	620 x 620 x 60	620 x 620 x 60	620 x 620 x 60	620 x 620 x 60
	Shipping Dimensions(W x D x H)	mm	660 x 660 x 115	660 x 660 x 115	660 x 660 x 11	660 x 660 x 115	660 x 660 x 115	660 x 660 x 115
	Net/shipping Weight	kg	2.8/4.5	2.8/4.5	2.8/4.55	2.8/4.5	2.8/4.5	2.8/4.5

COMPACT FOUR-WAY CASSETTE (DC MOTOR) 40VUC



Optional Panel: 40VPU018C7SQEE

- Compact design: installation restrictions reduced to enable high flexibility
- Ideal for standard ceiling tiles and small rooms: 570*570 mm body size and 620*620 mm panel size
- Built-in drain pump
- Independent control of four way air flow
- Low sound level, high efficiency and comfort
- Knockout hole for outside air



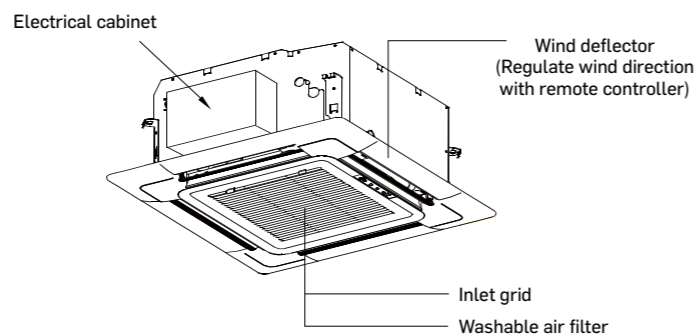
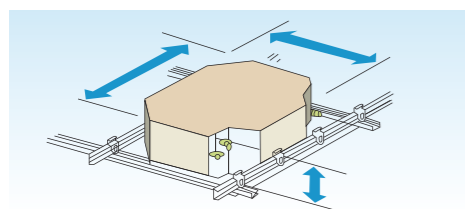


COMPACT FOUR-WAY CASSETTE (DC MOTOR)



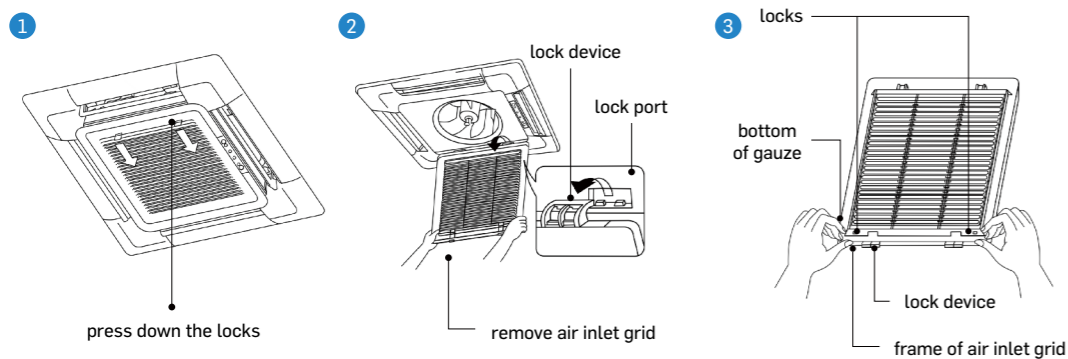
Compact Design, Easy Installation, Service & Maintenance

Extremely compact casing (570 mm in width and 260 mm in depth) makes it match perfectly with the ambient decoration. Little space is required for installation into a shallow ceiling. Due to its compact body and light weight, all models can be installed without a hoist.



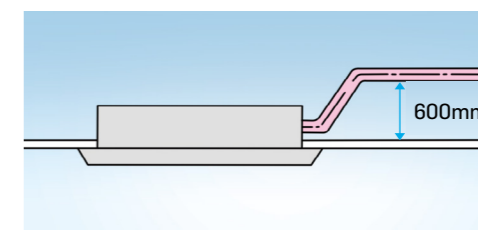
Easy Service & Maintenance

- Easy removal of air filters for cleaning
- Easy access to indoor unit components

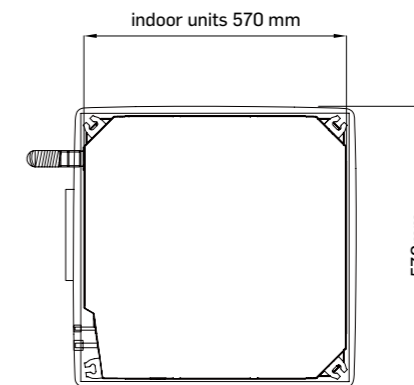
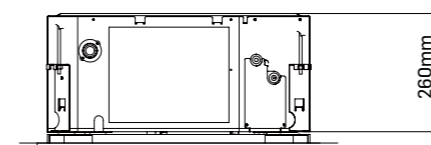
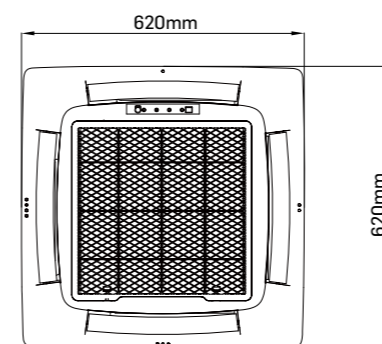


Standard Built-in Drain Pump

Drain pump with 600 mm pump head as the standard fitting.



Dimensions





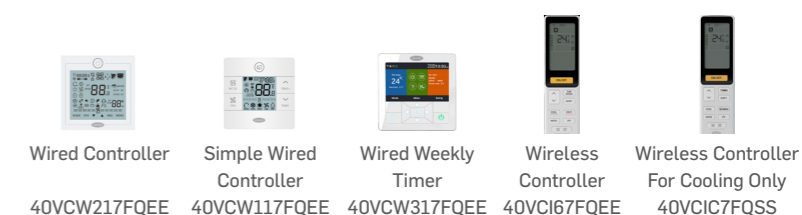
Indoor

FOUR-WAY CASSETTE (AC MOTOR) 40VUC&S

- Hanging installation and compact design to save space
- Knockout hole for outside fresh air
- Built-in drain pump



Optional Panel: 40VPU016C7GQEE/40VPU048S7GQEE



Wired Controller 40VCW217FQEE Simple Wired Controller 40VCW117FQEE Wired Weekly Timer 40VCW317FQEE Wireless Controller 40VCI67FQEE Wireless Controller For Cooling Only 40VIC7FQSS

Specifications

Model Code	Item (China)	Unit	40VU005C-7G-QEE	40VU007C-7G-QEE	40VU009C-7G-QEE	40VU012C-7G-QEE	40VU016C-7G-QEE	40VU018S-7G-QEE
	Item (Thailand)		40VU005C-7G-KEE	40VU005C-7G-KEE	40VU009C-7G-KEE	40VU012C-7G-KEE	40VU016C-7G-KEE	40VU018S-7G-KEE
Capacity	Cooling	kBtu/h	5.1	7.5	9.5	12.3	15.3	19.1
		kW	1.5	2.2	2.8	3.6	4.5	5.6
	Heating	kBtu/h	5.8	8.5	10.9	13.6	17.1	21.5
		kW	1.7	2.5	3.2	4.0	5.0	6.3
Electrical Parameters	Power Supply	Ph/V/Hz	1/220-230/50/60	1/220-230/50/60	1/220-230/50/60	1/220-230/50/60	1/220-230/50/60	1/220-230/50/60
	Power Consumption	W	80	80	80	80	80	70
Performance	Air Flow (H/M/L)	m³/h	650/540/430	700/590/480	700/590/480	700/590/480	700/590/480	1000/810/620
	Sound Pressure Level(H/M/L)	dB(A)	31/29/28	32/30/29	32/30/29	32/30/29	33/30/29	33/30/29
	Sound Power Level(H/M/L)	dB(A)	45/43/42	46/44/43	46/44/43	46/44/43	47/44/43	47/44/43
Installation	External Dimensions(W x D x H)	mm	570 x 570 x 260	570 x 570 x 260	570 x 570 x 260	570 x 570 x 260	570 x 570 x 260	840 x 840 x 183
	Shipping Dimensions(W x D x H)	mm	718 x 680 x 380	718 x 680 x 380	718 x 680 x 380	718 x 680 x 380	718 x 680 x 380	983 x 983 x 268
	Net/Shipping Weight	kg	16/19	16/19	16/19	19/22	19/22	25/28
	Refrigerant Liquid Pipe	mm	6.35	6.35	6.35	6.35	6.35	6.35
	Refrigerant Gas Pipe	mm	9.52	9.52	9.52	12.7	12.7	12.7
Panel (optional)	Model Code	/	40VPU016C7GQEE	40VPU016C7GQEE	40VPU016C7GQEE	40VPU016C7GQEE	40VPU016C7GQEE	40VPU048S7GQEE
	External Dimensions(W x D x H)	mm	700 x 700 x 60	700 x 700 x 60	700 x 700 x 60	700 x 700 x 60	700 x 700 x 60	950 x 950 x 60
	Shipping Dimensions(W x D x H)	mm	740 x 740 x 115	740 x 740 x 115	740 x 740 x 115	740 x 740 x 115	740 x 740 x 115	992 x 992 x 115
	Net/shipping Weight	kg	2.8/4.5	2.8/4.5	2.8/4.5	2.8/4.5	2.8/4.5	6/7.5

Specifications



Model Code	Item (China)	Unit	40VU024S-7G-QEE	40VU028S-7G-QEE	40VU030S-7G-QEE	40VU038S-7G-QEE	40VU048S-7G-QEE
	Item (Thailand)		40VU024S-7G-KEE	40VU028S-7G-KEE	40VU030S-7G-KEE	40VU038S-7G-KEE	40VU048S-7G-KEE
Capacity	Cooling	kBtu/h	24.2	27.3	30.7	38.2	47.8
		kW	7.1	8.0	9.0	11.2	14
	Heating	kBtu/h	27.3	30.7	34.1	42.7	54.6
		kW	8.0	9.0	10	12.5	16
Electrical Parameters	Power Supply	Ph/V/Hz	1/220-230/50/60	1/220-230/50/60	1/220-230/50/60	1/220-230/50/60	1/220-230/50/60
	Power Consumption	W	100	100	150	150	170
Performance	Air Flow (H/M/L)	m³/h	1380/1190/1000	1380/1190/1000	2050/1860/1670	2050/1860/1670	2100/1910/1720
	Sound Pressure Level(H/M/L)	dB(A)	35/34/31	37/35/31	37/35/31	37/35/31	44/40/36
	Sound Power Level(H/M/L)	dB(A)	49/48/45	51/49/45	51/49/45	51/49/45	58/54/50
Installation	External Dimensions(W x D x H)	mm	840 x 840 x 204	840 x 840 x 204	840 x 840 x 246	840 x 840 x 246	840 x 840 x 288
	Shipping Dimensions(W x D x H)	mm	983 x 983 x 290	983 x 983 x 290	983 x 983 x 331	983 x 983 x 331	983 x 983 x 373
	Net/Shipping Weight	kg	27/30	27/30	31/36	31/36	33/38
	Refrigerant Liquid Pipe	mm	9.52	9.52	9.52	9.52	9.52
	Refrigerant Gas Pipe	mm	15.88	15.88	15.88	15.88	15.88
Panel (optional)	Model Code	/	40VPU048S7GQEE	40VPU048S7GQEE	40VPU048S7GQEE	40VPU048S7GQEE	40VPU048S7GQEE
	External Dimensions(W x D x H)	mm	950 x 950 x 60	950 x 950 x 60	950 x 950 x 60	950 x 950 x 60	950 x 950 x 60
	Shipping Dimensions(W x D x H)	mm	992 x 992 x 115	992 x 992 x 115	992 x 992 x 115	992 x 992 x 115	992 x 992 x 115
	Net/shipping Weight	kg	6/7.5	6/7.5	6/7.5	6/7.5	6/7.5

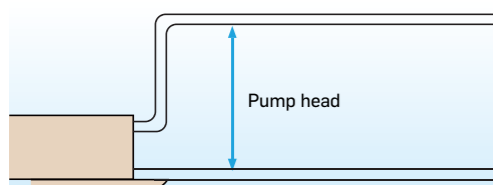


FOUR-WAY CASSETTE (AC MOTOR)



Standard Built-in Drain Pump

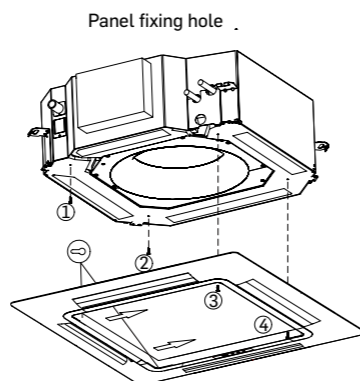
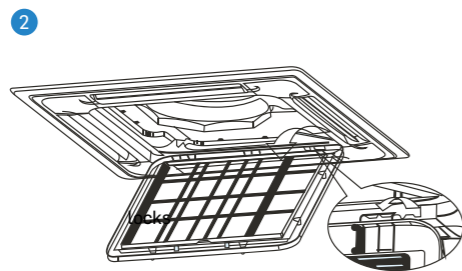
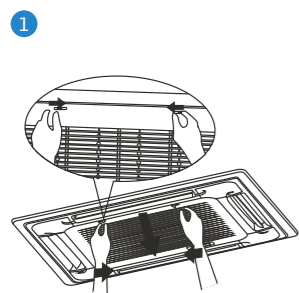
Standard built-in drain pump can lift the condensed water up, for easier installation of the drain piping system.



	40VU005-016C-7G-QEE 40VU005-016C-7G-KEE	40VU018-048S-7G-QEE 40VU018-048S-7G-KEE
Pump Head (mm)	600	600

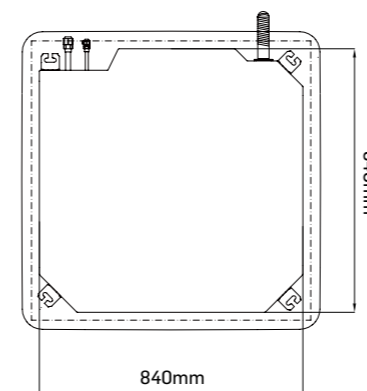
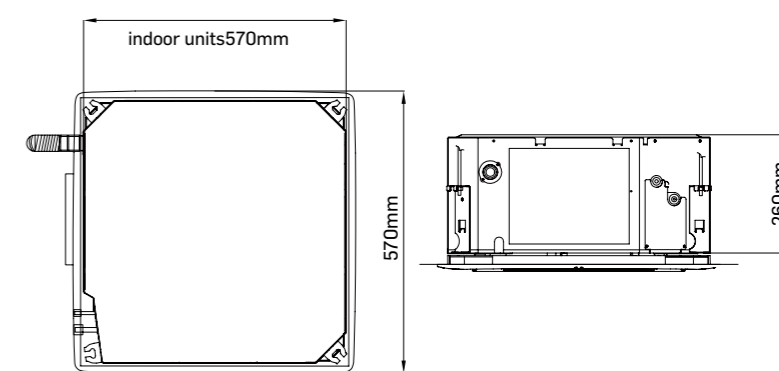
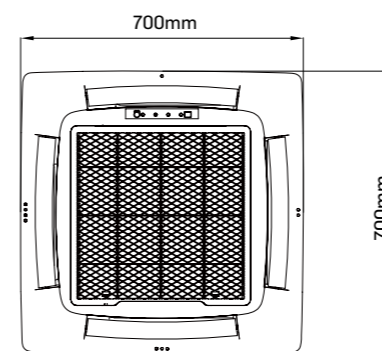
Easy Service & Maintenance

- Easy removal of air filter for cleaning
- Remote on/off function and alarm function
- Easy access to indoor unit components

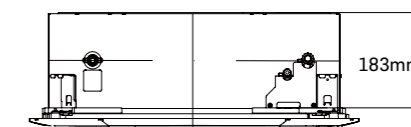


Dimensions

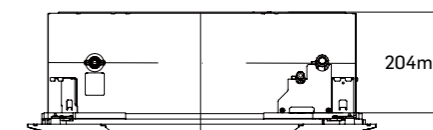
40VU005C-7G-QEE/40VU007C-7G-QEE/40VU009C-7G-QEE/40VU012C-7G-QEE/40VU016C-7G-QEE
40VU005C-7G-KEE/40VU007C-7G-KEE/40VU009C-7G-KEE/40VU012C-7G-KEE/40VU016C-7G-KEE



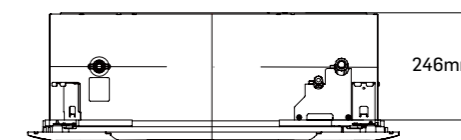
40VU018S-7G



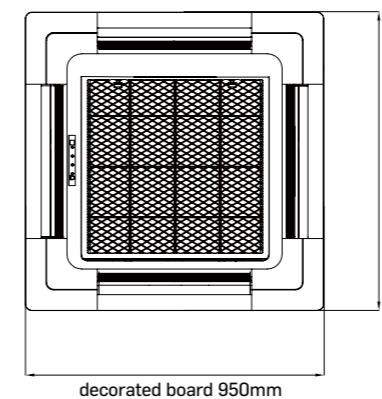
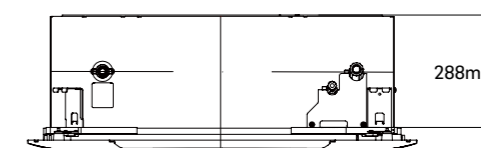
40VU024S-7G/40VU028S-7G



40VU030S-7G/40VU038S-7G



40VU048S-7G





ROUND-WAY CASSETTE (DC MOTOR) 40VUR



Optional Panel: 40VPU054R7EQEE

- Round corner design
- Unique round-way air outlet and air distribution to reduce blind spots
- DC powered fan with low sound level and high efficiency
- Built-in drain pump
- Innovative four-way independent airflow control, 6 adjustable louver positions and 1296 air flow combinations
- Up to 4.2 m ceiling height with a large capacity
- Automatic display of fault codes



Wired Controller
40VCW217FQEE



Simple Wired Controller
40VCW117FQEE



Wired Weekly Timer
40VCW317FQEE



Wireless Controller
40VCI67FQEE



Wireless Controller For Cooling Only
40VICI7FQSS



Specifications

Model Code	Item	Unit	40VU007R-7E-QEE	40VU009R-7E-QEE	40VU012R-7E-QEE	40VU016R-7E-QEE	40VU018R-7E-QEE	40VU024R-7E-QEE
Capacity	Cooling	kBtu/h	7.5	9.5	12.3	15.3	19.1	24.2
		kW	2.2	2.8	3.6	4.5	5.6	7.1
	Heating	kBtu/h	8.5	10.9	13.6	17.1	21.5	27.3
		kW	2.5	3.2	4.0	5.0	6.3	8.0
Electrical Parameters	Power Supply	Ph/V/Hz	1/220-230/50/60	1/220-230/50/60	1/220-230/50/60	1/220-230/50/60	1/220-230/50/60	1/220-230/50/60
	Power Consumption	W	30	30	30	30	30	50
Performance	Air Flow (H/M/L)	m³/h	1000/810/620	1000/810/620	1000/810/620	1000/810/620	1000/810/620	1380/1190/1000
	Sound Pressure Level(H/M/L)	dB(A)	30/27/25	30/27/25	30/27/25	32/29/27	33/30/29	35/34/31
Installation	External Dimensions(W x D x H)	mm	840 x 840 x 183	840 x 840 x 183	840 x 840 x 183	840 x 840 x 183	840 x 840 x 183	840 x 840 x 204
	Net/Shipping Weight	kg	25/28	25/28	25/28	25/28	25/28	27/30
	Refrigerant Liquid Pipe	mm	6.35	6.35	6.35	6.35	6.35	9.52
	Refrigerant Gas Pipe	mm	9.52	9.52	12.7	12.7	12.7	15.88
Panel (optional)	Model Name	/	40VPU054R7EQEE	40VPU054R7EQEE	40VPU054R7EQEE	40VPU054R7EQEE	40VPU054R7EQEE	40VPU054R7EQEE
	Model Name With Presence Sensor	/	40VPU054A7EQEE	40VPU054A7EQEE	40VPU054A7EQEE	40VPU054A7EQEE	40VPU054A7EQEE	40VPU054A7EQEE
	External Dimensions(W x D x H)	mm	950 x 950 x 50	950 x 950 x 50	950 x 950 x 50	950 x 950 x 50	950 x 950 x 50	950 x 950 x 50
	Shipping Dimensions(W x D x H)	mm	1013 x 1025 x 123	1013 x 1025 x 123	1013 x 1025 x 123	1013 x 1025 x 123	1013 x 1025 x 123	1013 x 1025 x 123
	Net/shipping Weight	kg	6.5/9	6.5/9	6.5/9	6.5/9	6.5/9	6.5/9

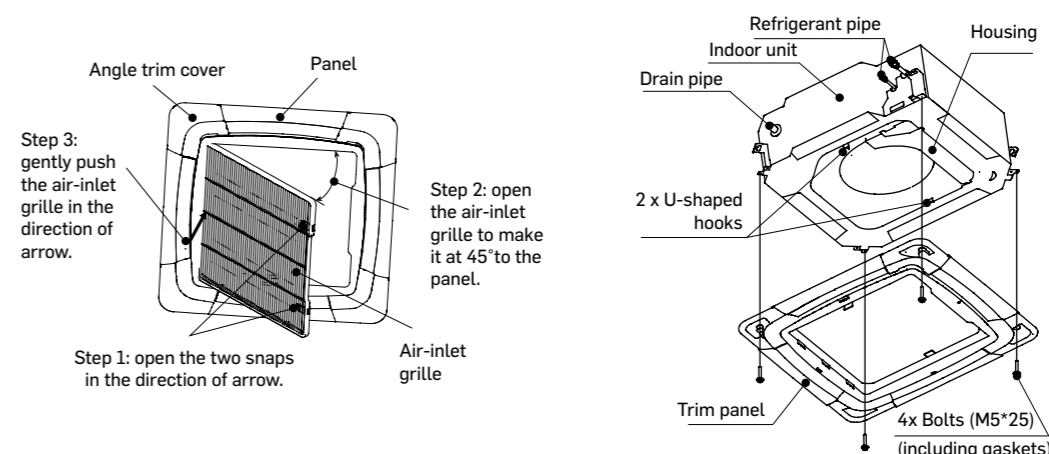
Specifications



Model Code	Item	Unit	40VU028R-7E-QEE	40VU030R-7E-QEE	40VU038R-7E-QEE	40VU048R-7E-QEE	40VU054R-7E-QEE
Capacity	Cooling	kBtu/h	27.3	30.7	38.2	47.7	54.6
		kW	8.0	9.0	11.2	14	16
	Heating	kBtu/h	30.7	34.1	42.6	54.6	61.2
		kW	9.0	10	12.5	16	18
Electrical Parameters	Power Supply	Ph/V/Hz	1/220-230/50/60	1/220-230/50/60	1/220-230/50/60	1/220-230/50/60	1/220-230/50/60
	Power Consumption	W	50	90	90	110	110
Performance	Air Flow (H/M/L)	m³/h	1380/1190/1000	2050/1860/1670	2050/1860/1670	2100/1910/1720	2100/1910/1720
	Sound Pressure Level(H/M/L)	dB(A)	37/35/31	37/35/31	37/35/31	44/40/36	44/40/36
Installation	External Dimensions(W x D x H)	mm	840 x 840 x 204	840 x 840 x 246	840 x 840 x 246	840 x 840 x 288	840 x 840 x 288
	Net/Shipping Weight	kg	27/30	31/36	31/36	33/38	33/38
	Refrigerant Liquid Pipe	mm	9.52	9.52	9.52	9.52	9.52
	Refrigerant Gas Pipe	mm	15.88	15.88	15.88	15.88	15.88
Panel (optional)	Model Name	/	40VPU054R7EQEE	40VPU054R7EQEE	40VPU054R7EQEE	40VPU054R7EQEE	40VPU054R7EQEE
	Model Name With Presence Sensor	/	40VPU054A7EQEE	40VPU054A7EQEE	40VPU054A7EQEE	40VPU054A7EQEE	40VPU054A7EQEE
	External Dimensions(W x D x H)	mm	950 x 950 x 50	950 x 950 x 50	950 x 950 x 50	950 x 950 x 50	950 x 950 x 50
	Shipping Dimensions(W x D x H)	mm	1013 x 1025 x 123	1013 x 1025 x 123	1013 x 1025 x 123	1013 x 1025 x 123	1013 x 1025 x 123
	Net/shipping Weight	kg	6.5/9	6.5/9	6.5/9	6.5/9	6.5/9



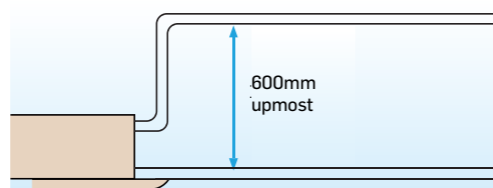
ROUND-WAY CASSETTE (DC MOTOR)



Indoor

Standard Built-in Drain Pump

Standard built-in drain pump can take the condensed water up to 600 mm which makes easier installation of the drain piping system.



Smart Self Diagnostic Function

By adding digital tube displayer on the display board, the error codes can be displayed directly for trouble shooting.



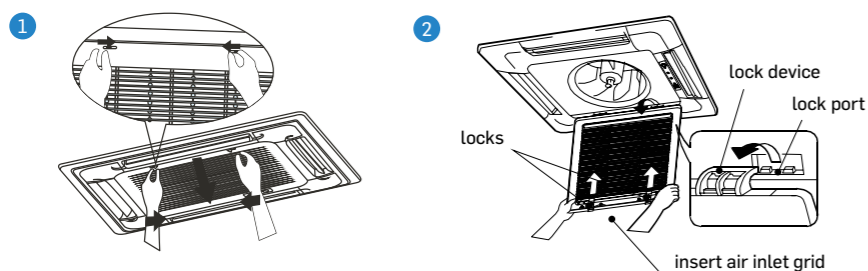
Save Energy

- Optional panel with presence sensor
- In case of detected human, IDU turns on
 - Without movement, IDU goes in off mode

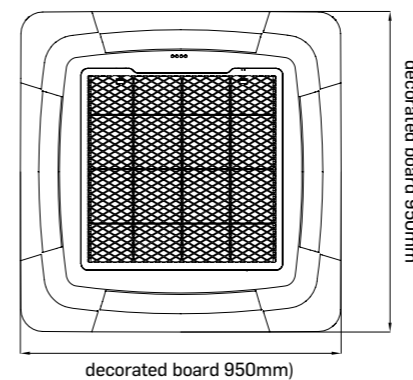
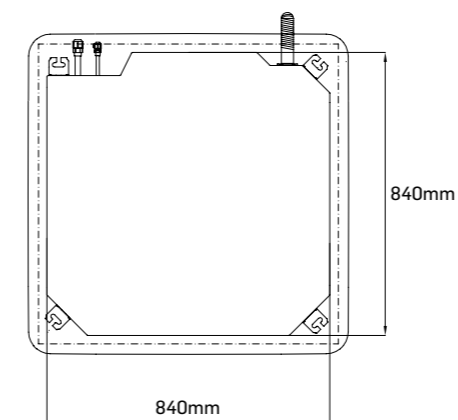


Easy Service & Maintenance

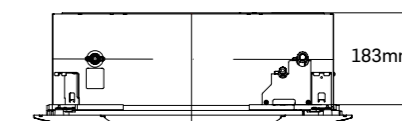
- Easy removal of air filter for cleaning
- Remote on/off function and alarm function
- Easy access to indoor unit components



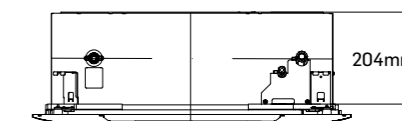
Dimensions



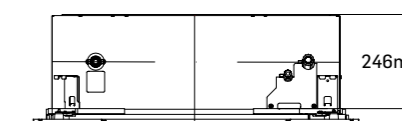
40VU007/009/012/016/018R-7E-QEE



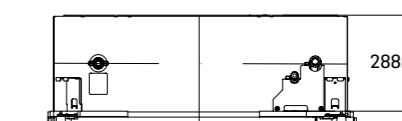
40VU024/028R-7E-QEE



40VU030/038R-7E-QEE

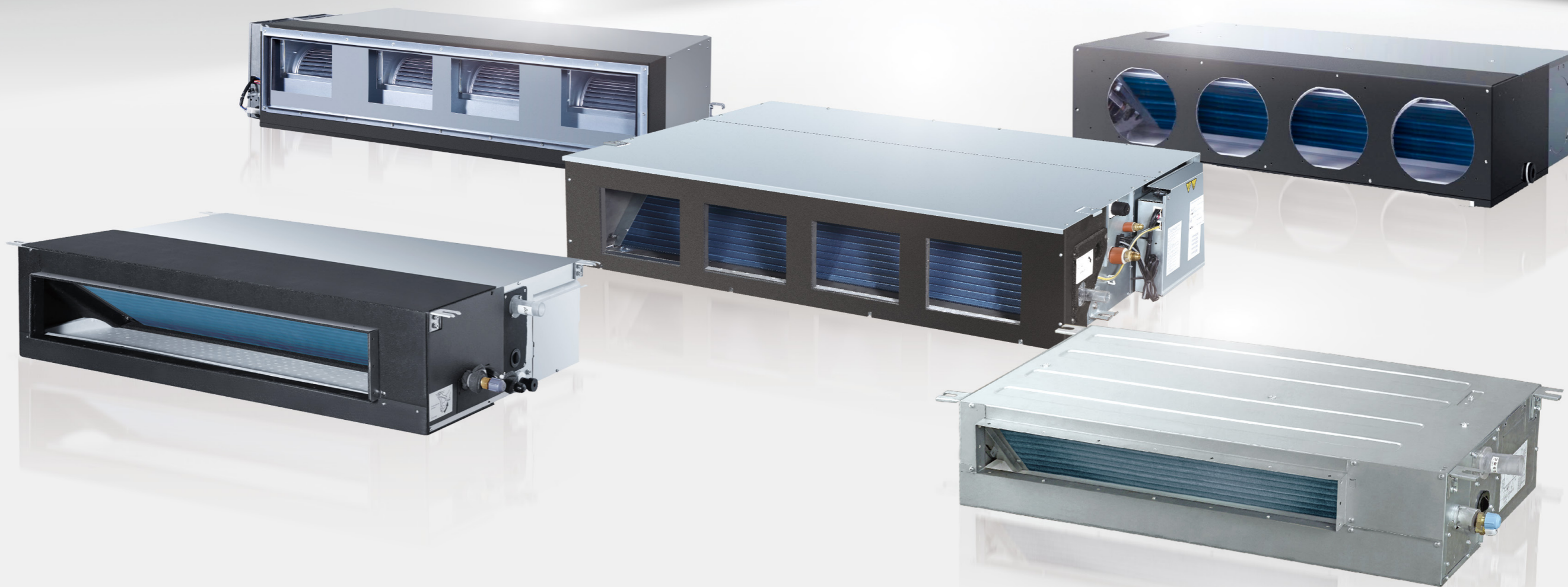


40VU048/054R-7E-QEE





Indoor





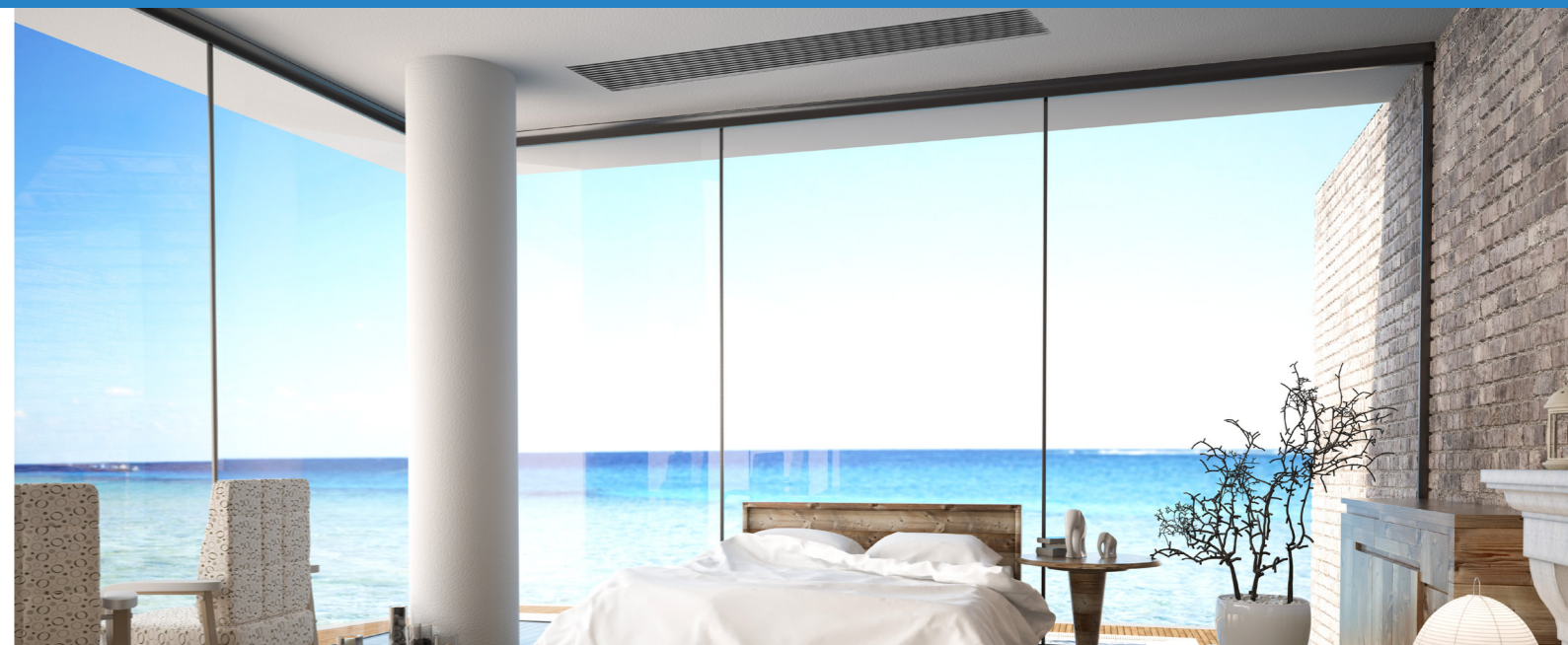
SLIM DUCT (DC MOTOR 0/15/30 PA)



- Ultra-thin design: 185 mm height to accommodate in limited space
- DC motor with six fan speeds to provide unique and comfort control
- Built-in drain pump
- Bottom or rear air return
- Static pressure setting 0/30 Pa
- Can install with or without discharge & return plenum



Wired Controller 40VCW217FQEE Simple Wired Controller 40VCW117FQEE Wired Weekly Timer 40VCW317FQEE Wireless Controller 40VCI67FQEE Wireless Controller For Cooling Only 40VIC7FQSS Receiver 40VICR7FQEE



Indoor

Specifications

Model Code	Item (China)	Unit	40VD005L-7E-QEE	40VD007L-7E-QEE	40VD009L-7E-QEE	40VD012L-7E-QEE
	Item (Thailand)		40VD005L-7E-KEE	40VD007L-7E-KEE	40VD009L-7E-KEE	40VD012L-7E-KEE
Capacity	Cooling	kBtu/h	5.1	7.5	9.5	12.3
		kW	1.5	2.2	2.8	3.6
	Heating	kBtu/h	5.8	8.5	10.9	13.6
		kW	1.7	2.5	3.2	4.0
Electrical Parameters	Power Supply	Ph/V/Hz	1/220-230/50/60	1/220-230/50/60	1/220-230/50/60	1/220-230/50/60
	Power Consumption	W	18	18	18	31
Performance	Air Flow (H/M/L)	m ³ /h	430/370/310	480/420/360	480/420/360	550/430/370
	Sound Pressure Level(H/M/L)	dB(A)	26/22/19	27/23/20	27/23/20	30/27/24
	Sound Power Level(H/m/l)	dB(A)	40/36/33	41/37/34	41/37/34	44/41/38
Installation	External Dimensions(W x D x H)	mm	850 x 420 x 185	850 x 420 x 185	850 x 420 x 185	850 x 420 x 185
	Shipping Dimensions(W x D x H)	mm	1045 x 540 x 270	1045 x 540 x 270	1045 x 540 x 270	1045 x 540 x 270
	Net/Shipping Weight	kg	16.5/21.5	17.5/22.5	17.5/22.5	17.5/22.5
	Refrigerant Liquid Pipe	mm	6.35	6.35	6.35	6.35
	Refrigerant Gas Pipe	mm	9.52	9.52	9.52	12.7
	Static Pressure	Pa	0/15/30	0/15/30	0/15/30	0/15/30
Drain Pump	O-optional, S-standard, W-without	/	Standard	Standard	Standard	Standard

Specifications



Model Code	Item (China)	Unit	40VD016L-7E-QEE	40VD018L-7E-QEE	40VD024L-7E-QEE
	Item (Thailand)		40VD016L-7E-KEE	40VD018L-7E-KEE	40VD024L-7E-KEE
Capacity	Cooling	kBtu/h	15.3	19.1	24.2
		kW	4.5	5.6	7.1
	Heating	kBtu/h	17.1	21.5	27.3
		kW	5.0	6.3	8.0
Electrical Parameters	Power Supply	Ph/V/Hz	1/220-230/50/60	1/220-230/50/60	1/220-230/50/60
	Power Consumption	W	35	40	50
Performance	Air Flow (H/M/L)	m ³ /h	600/540/460	800/690/580	930/850/750
	Sound Pressure Level(H/M/L)	dB(A)	32/29/26	33/30/27	36/33/30
	Sound Power Level(H/m/l)	dB(A)	46/43/40	47/44/41	50/47/43
Installation	External Dimensions(W x D x H)	mm	850 x 420 x 185	1170 x 420 x 185	1170 x 420 x 185
	Shipping Dimensions(W x D x H)	mm	1045 x 540 x 270	1365 x 540 x 270	1365 x 540 x 270
	Net/Shipping Weight	kg	18.5/23.5	22.2/28.2	24/30
	Refrigerant Liquid Pipe	mm	6.35	6.35	9.52
	Refrigerant Gas Pipe	mm	12.7	12.7	15.88
	Static Pressure	Pa	0/15/30	0/15/30	0/15/30
Drain Pump	O-optional, S-standard, W-without	/	Standard	Standard	Standard

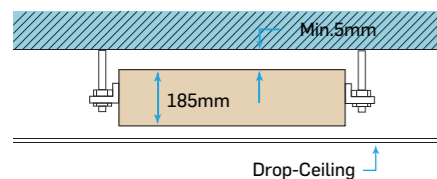


SLIM DUCT (DC MOTOR – 0/15-30 PA)



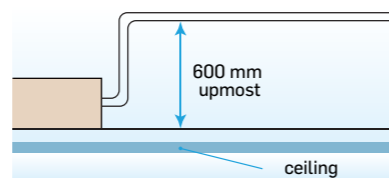
Slim, Light Weight & Compact Design

The compact design is 185mm in height and is ideal for installation where space above ceiling is limited.



Built-in Drain Pump

Built-in drain pump (600 mm pump head)



Easy Installation

Available optional outlet & inlet panels

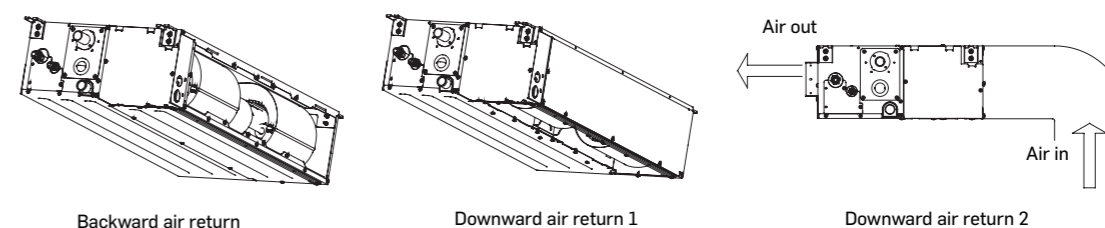


Model Codes	Outlet Panel Dimensions (WxHxD)	Inlet Panel Dimensions (WxHxD)
Up to 40VPD016L7EQEE	890 x 190 x 100 mm	890 x 291 x 100 mm
40VPD018-024L7EQEE	1210 x 190 x 100 mm	1210 x 291 x 100 mm

Installation Modes

This series of air conditioners can be arranged in two air return modes:

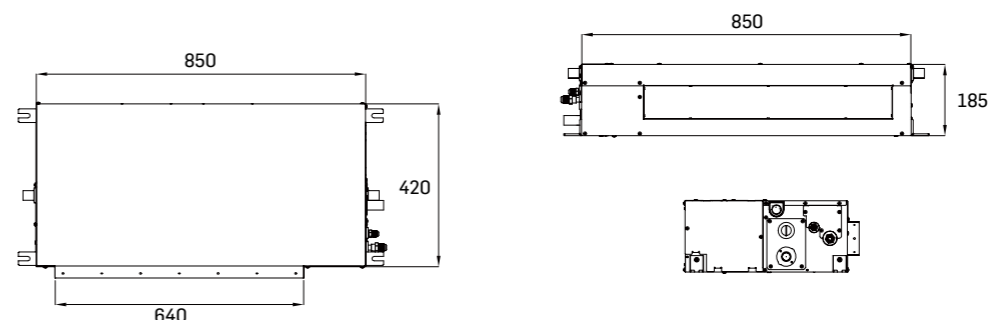
1. Backward air return (factory default);
2. Downward air return (can be adjusted on site. See the following figures.)



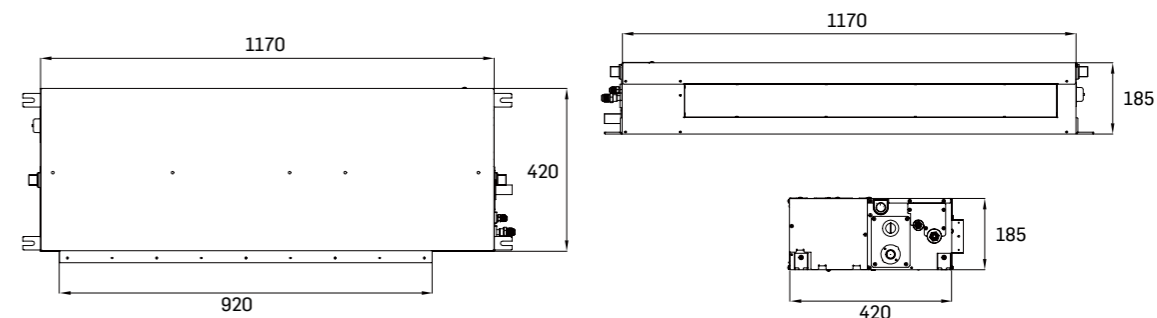
Note: the downward air return mode would increase noise 3-5 dB(A). It is recommended to install the air conditioner in downward air return mode 2 if enough space is available.

Dimensions

40VD005/007/009/012/016L-7E-QEE
40VD005/007/009/012/016L-7E-KEE



40VD018/024L-7E-QEE
40VD018/024L-7E-KEE

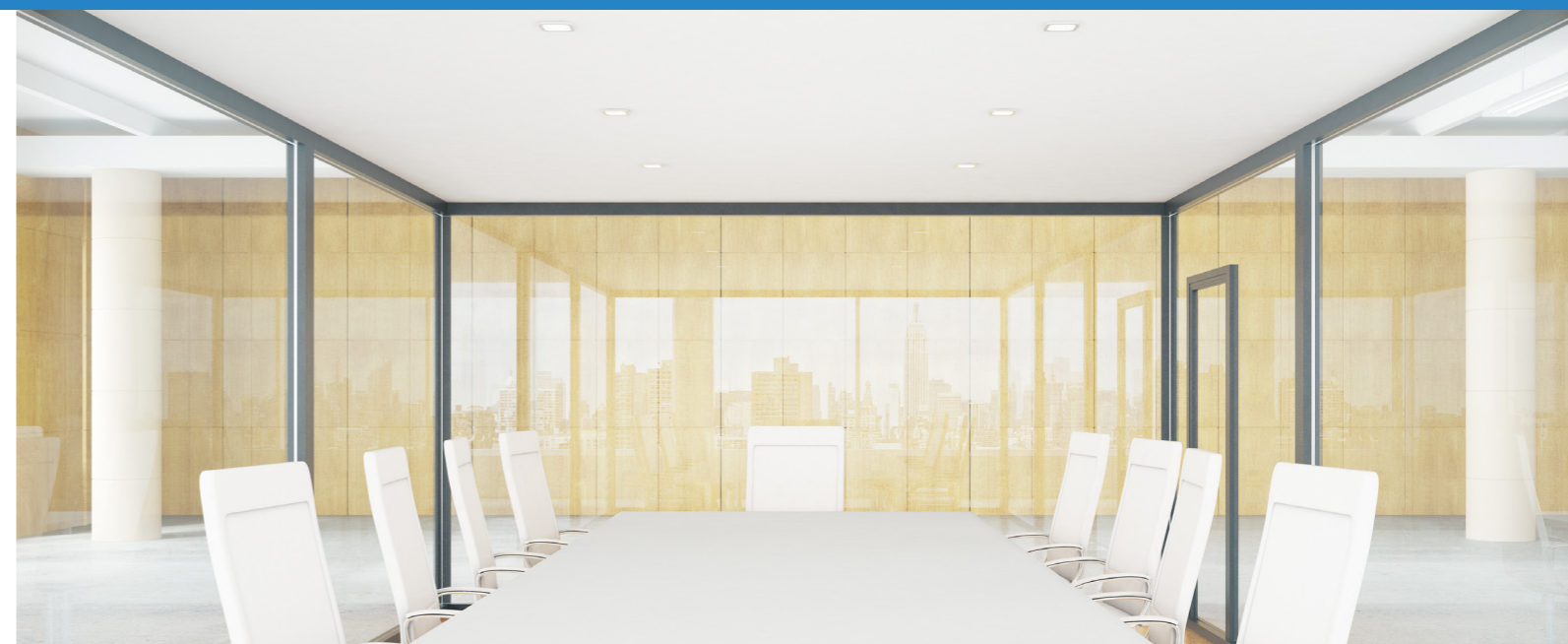




STANDARD STATIC DUCT (AC MOTOR 50/100 PA)



- Elegant slim design with the thinnest shape
- Hidden installation for a clean and sophisticated appearance
- Standard draining pump with maximum 700 mm lift
- Reserve outside air inlet that helps improve indoor air quality
- T-shaped lifting eye with adjustable width and length direction for your convenience
- Better sealing pipe liner made of heat-retaining EPS material



Indoor

Specifications

Model Code	Item (China)	Unit	40VD005S-7G-QEE	40VD007S-7G-QEE	40VD009S-7G-QEE	40VD012S-7G-QEE	40VD016S-7G-QEE	40VD018S-7G-QEE
	Item (Thailand)		40VD005S-7G-KEE	40VD007S-7G-KEE	40VD009S-7G-KEE	40VD012S-7G-KEE	40VD016S-7G-KEE	40VD018S-7G-KEE
Capacity	Cooling	kBtu/h	5.1	7.5	9.5	12.3	15.3	19.1
		kW	1.5	2.2	2.8	3.6	4.5	5.6
	Heating	kBtu/h	5.8	8.5	10.9	13.6	17.1	21.5
		kW	1.7	2.5	3.2	4	5	6.3
Electrical Parameters	Power Supply	Ph/V/Hz	1/220-230/50/60	1/220-230/50/60	1/220-230/50/60	1/220-230/50/60	1/220-230/50/60	1/220-230/50/60
	Power Consumption	W	105	105	105	105	125	137
Performance	Air Flow (H/M/L)	m³/h	630/510/424	630/510/424	630/510/424	630/510/424	740/550/442	980/840/760
	Sound Pressure Level(H/M/L)	dB(A)	35/33/31	35/33/31	35/33/31	35/33/31	35/33/31	36/34/32
	Sound Power Level(H/M/L)	dB(A)	39/37/35	39/37/35	39/37/35	39/37/35	39/37/35	40/38/36
Installation	External Dimensions(W x D x H)	mm	700/700/248	700/700/248	700/700/248	700/700/248	700/700/248	1100/700/248
	Shipping Dimensions(W x D x H)	mm	932/835/280	932/835/280	932/835/280	932/835/280	932/835/280	1332/835/280
	Net/Shipping Weight	kg	27/32	27/32	27/32	27/32	28.5/33.5	36.8/43.5
	Refrigerant Liquid Pipe	mm	6.35	6.35	6.35	6.35	6.35	6.35
	Refrigerant Gas Pipe	mm	9.52	9.52	9.52	12.7	12.7	12.7
	Static Pressure(Standard/Max.)	Pa	50/100	50/100	50/100	50/100	50/100	50/100
Drain Pump	O-optional,S-standard,W-without	/	Standard	Standard	Standard	Standard	Standard	Standard

Specifications



Model Code	Item (China)	Unit	40VD024S-7G-QEE	40VD028S-7G-QEE	40VD030S-7G-QEE	40VD038S-7G-QEE	40VD048S-7G-QEE	40VD054S-7G-QEE
	Item (Thailand)		40VD024S-7G-KEE	40VD028S-7G-KEE	40VD030S-7G-KEE	40VD038S-7G-KEE	40VD048S-7G-KEE	40VD054S-7G-KEE
Capacity	Cooling	kBtu/h	24.2	27.3	30.7	38.2	47.8	54.6
		kW	7.1	8	9	11.2	14	16
	Heating	kBtu/h	27.3	30.7	34.1	44.4	55.6	61.4
		kW	8	9	10	13	16.3	18
Electrical Parameters	Power Supply	Ph/V/Hz	1/220-230/50/60	1/220-230/50/60	1/220-230/50/60	1/220-230/50/60	1/220-230/50/60	1/220-230/50/60
	Power Consumption	W	190	190	230	235	290	290
Performance	Air Flow (H/M/L)	m³/h	1174/1080/960	1174/1080/960	1500/1180/930	1700/1300/900	2000/1700/1250	2000/1700/1250
	Sound Pressure Level(H/M/L)	dB(A)	40/37/34	42/38/34	42/38/34	42/39/35	43/40/35	43/40/35
	Sound Power Level(H/M/L)	dB(A)	44/41/38	46/42/38	46/42/38	46/33/39	47/44/39	47/44/39
Installation	External Dimensions(W x D x H)	mm	1100/700/248	1100/700/248	1100/700/248	1500/700/248	1500/700/248	1500/700/248
	Shipping Dimensions(W x D x H)	mm	1332/835/280	1332/835/280	1332/835/280	1698/857/305	1698/857/305	1698/857/305
	Net/Shipping Weight	kg	37/43.4	37/43.6	39.4/45.4	48.3/56.5	51.3/59.5	51.3/59.5
	Refrigerant Liquid Pipe	mm	9.52	9.52	9.52	9.52	9.52	9.52
	Refrigerant Gas Pipe	mm	15.88	15.88	15.88	15.88	15.88	15.88
	Static Pressure(Standard/Max.)	Pa	50/100	50/100	50/100	50/100	50/100	50/100
Drain Pump	O-optional,S-standard,W-without	/	Standard	Standard	Standard	Standard	Standard	Standard

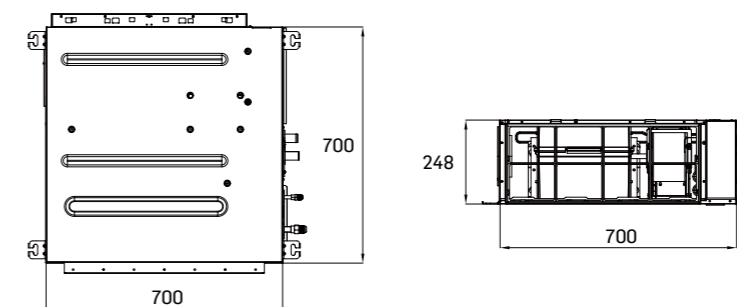


STANDARD STATIC DUCT (AC MOTOR – 50/100 PA)



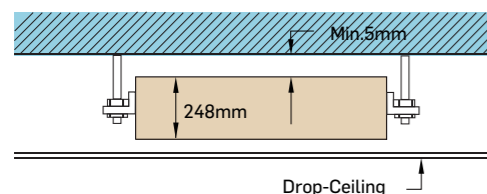
Dimensions

40VD005S-7G-QEE/40VD007S-7G-QEE/40VD009S-7G-QEE/40VD012S-7G-QEE/40VD016S-7G-QEE
40VD005S-7G-KEE/40VD007S-7G-KEE/40VD009S-7G-KEE/40VD012S-7G-KEE/40VD016S-7G-KEE



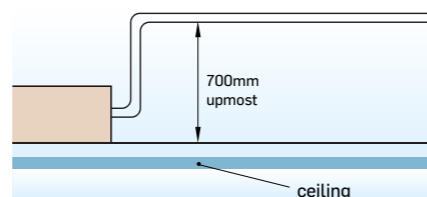
Slim & Compact Design

The compact design is 248mm in height and is ideal for installation where space above ceiling is limited.



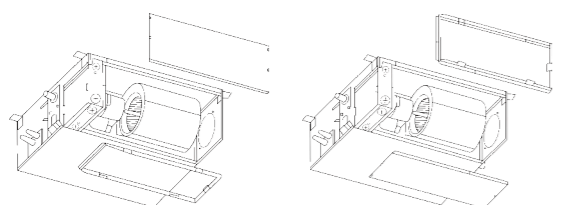
Built-in Drain Pump

Built-in drain pump (700mm pump head)



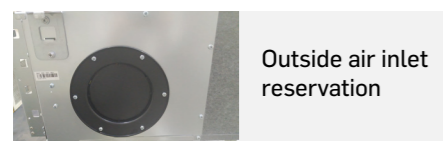
Indoor Unit Line-Up – Standard Static Duct

- Flexible Bottom or Rear Air Return



Back air return opening

Below air return opening

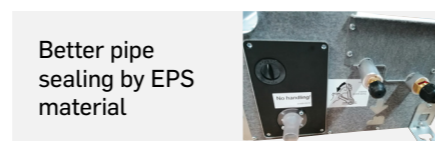


Outside air inlet reservation

- Fixation adjustment
Width and length direction can be adjusted for more convenience

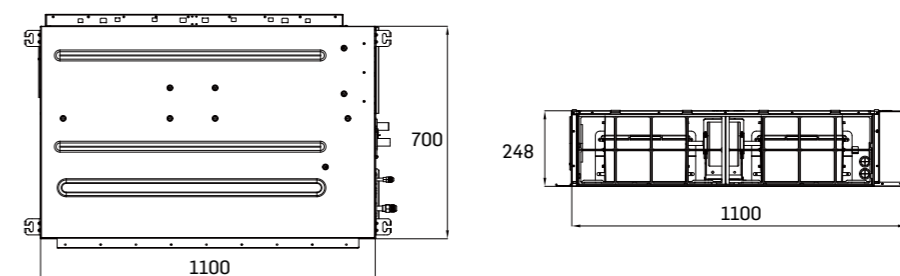


T-shaped lifting eye

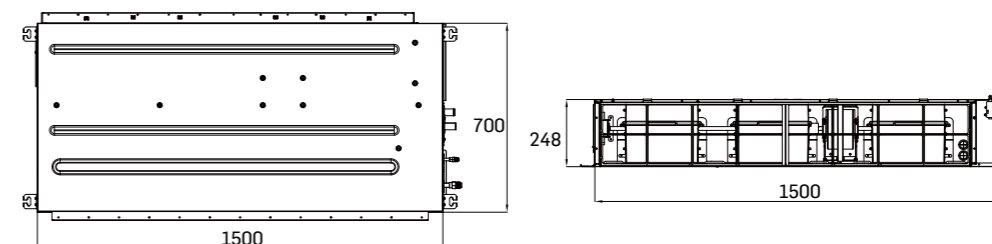


Better pipe sealing by EPS material

40VD018S-7G-QEE/40VD024S-7G-QEE/40VD028S-7G-QEE/40VD030S-7G-QEE
40VD018S-7G-KEE/40VD024S-7G-KEE/40VD028S-7G-KEE/40VD030S-7G-KEE



40VD038S-7G-QEE/40VD048S-7G-QEE/40VD054S-7G-QEE
40VD038S-7G-KEE/40VD048S-7G-KEE/40VD054S-7G-KEE

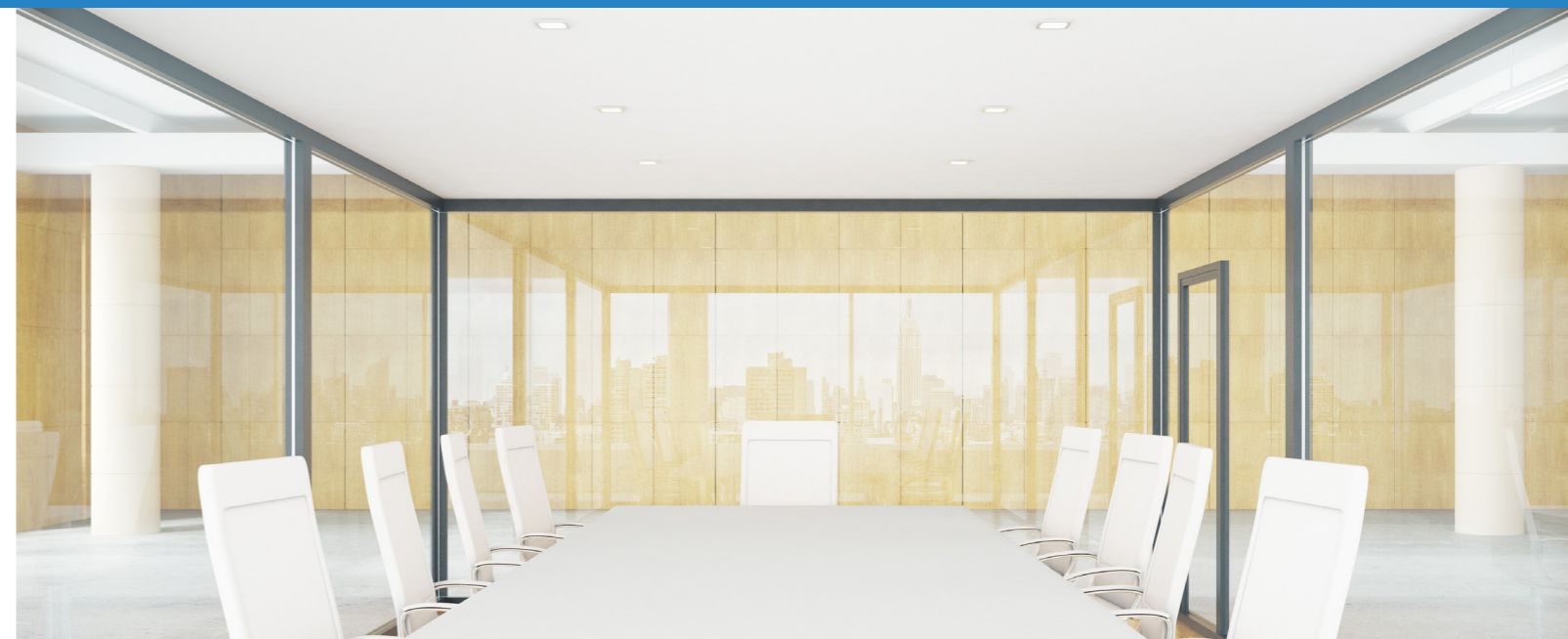




STANDARD STATIC DUCT (DC MOTOR 20/200 PA)



- Elegant slim design with T-shaped lifting eye with adjustable width and length direction for your convenience
- Hidden installation for a clean and sophisticated appearance
- Standard draining pump with maximum 700 mm lift
- Reserve outside air inlet that helps improve indoor air quality
- High-quality sealing pipe liner made of heat-retaining EPS material



Indoor

Specifications

Model Code	Item	Unit	40VD005S-7S-QEE	40VD007S-7S-QEE	40VD009S-7S-QEE	40VD012S-7S-QEE	40VD016S-7S-QEE	40VD018S-7S-QEE
Capacity	Cooling	kBtu/h	5.1	7.5	9.5	12.3	15.3	19.1
		kW	1.5	2.2	2.8	3.6	4.5	5.6
	Heating	kBtu/h	5.8	8.5	10.9	13.6	17.1	21.5
		kW	1.7	2.5	3.2	4.0	5.0	6.3
Electrical Parameters	Power Supply	Ph/V/Hz	1/220-240/50/60	1/220-240/50/60	1/220-240/50/60	1/220-240/50/60	1/220-240/50/60	1/220-240/50/60
	Power Consumption	W	27	27	27	31	39	42
Performance	Air Flow (H/M/L)	m³/h	515/440/390	545/470/390	545/470/390	570/495/420	700/625/550	915/765/640
	Sound Pressure Level(H/M/L)	dB(A)	29/27/25	30/28/25	30/28/25	31/29/27	32/30/28	33/31/29
	Sound Power Level(H/M/L)	dB(A)	41/39/37	42/40/37	42/40/37	43/41/39	44/42/40	45/43/41
Installation	External Dimensions(W x D x H)	mm	700 x 700 x 248	700 x 700 x 248	700 x 700 x 248	700 x 700 x 248	700 x 700 x 248	1100 x 700 x 248
	Shipping Dimensions(W x D x H)	mm	932 x 835 x 280	932 x 835 x 280	932 x 835 x 280	932 x 835 x 280	932 x 835 x 280	1332 x 835 x 280
	Net/Shipping Weight	kg	27/32	27/32	27/32	27/32	28.5/33.5	36.8/43.4
	Refrigerant Liquid Pipe	mm	6.35	6.35	6.35	6.35	6.35	6.35
	Refrigerant Gas Pipe	mm	9.52	9.52	9.52	12.7	12.7	12.7
	Static Pressure(Standard/Max.)	Pa	20/200	20/200	20/200	20/200	20/200	20/200
Drain Pump	O-optional,S-standard,W-without	/	Standard	Standard	Standard	Standard	Standard	Standard

Specifications



Model Code	Item	Unit	40VD024S-7S-QEE	40VU028S-7S-QEE	40VD030S-7S-QEE	40VU038S-7S-QEE	40VD048S-7S-QEE	40VD054S-7S-QEE
Capacity	Cooling	kBtu/h	24.2	27.3	30.7	38.2	47.8	54.6
		kW	7.1	8.0	9.0	11.2	14	16
	Heating	kBtu/h	27.3	30.7	34.1	44.4	55.6	61.4
		kW	8.0	9.0	10	13	16.3	18
Electrical Parameters	Power Supply	Ph/V/Hz	1/220-240/50/60	1/220-240/50/60	1/220-240/50/60	1/220-240/50/60	1/220-240/50/60	1/220-240/50/60
	Power Consumption	W	71	71	80	80	140	140
Performance	Air Flow (H/M/L)	m³/h	1275/1050/875	1275/1050/875	1450/1200/1000	2000/1700/1400	2150/1750/1400	2350/1950/1600
	Sound Pressure Level(H/M/L)	dB(A)	34/31/29	35/33/30	36/33/30	38/35/32	40/36/32	42/38/34
	Sound Power Level(H/M/L)	dB(A)	46/43/41	47/45/42	48/45/42	50/47/44	52/48/44	54/50/46
Installation	External Dimensions(W x D x H)	mm	1100 x 700 x 248	1100 x 700 x 248	1100 x 700 x 248	1500 x 700 x 248	1500 x 700 x 248	1500 x 700 x 248
	Shipping Dimensions(W x D x H)	mm	1332 x 835 x 280	1332 x 835 x 280	1332 x 835 x 280	1698 x 857 x 305	1698 x 857 x 305	1698 x 857 x 305
	Net/Shipping Weight	kg	36.8/43.4	36.8/43.4	39.4/45.4	48.3/56.5	51.3/59.5	51.3/59.5
	Refrigerant Liquid Pipe	mm	9.52	9.52	9.52	9.52	9.52	9.52
	Refrigerant Gas Pipe	mm	15.88	15.88	15.88	15.88	15.88	15.88
	Static Pressure(Standard/Max.)	Pa	20/200	20/200	20/180	20/180	20/180	20/180
Drain Pump	O-optional,S-standard,W-without	/	Standard	Standard	Standard	Standard	Standard	Standard

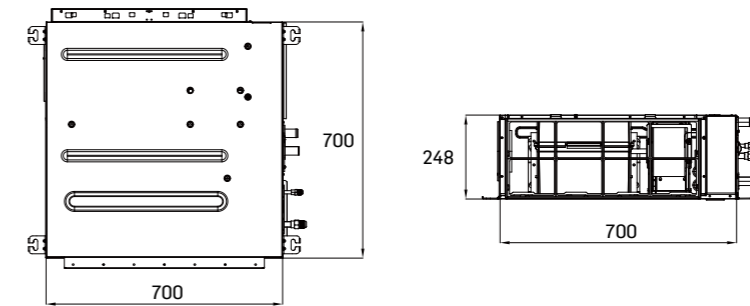


STANDARD STATIC DUCT (DC MOTOR – 20/200 PA)



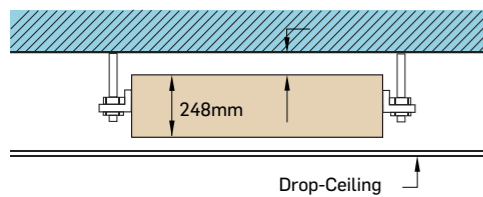
Dimensions

40VD005S-7G-QEE/40VD007S-7G-QEE/40VD009S-7G-QEE/40VD012S-7G-QEE/40VD016S-7G-QEE
40VD005S-7G-KEE/40VD007S-7G-KEE/40VD009S-7G-KEE/40VD012S-7G-KEE/40VD016S-7G-KEE



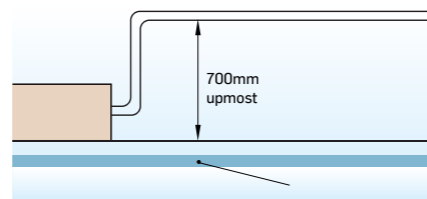
Slim & Compact Design

The compact design is 248mm in height and is ideal for installation where space above ceiling is limited.



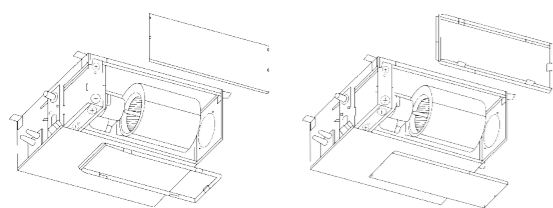
Built-in Drain Pump

Built-in drain pump (700mm / 1200mm pump head)



Standard Static Duct

- Flexible Bottom or Rear Air Return



Back air return opening

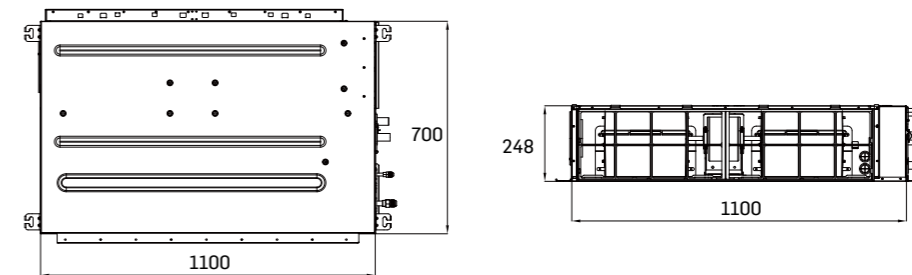
Below air return opening



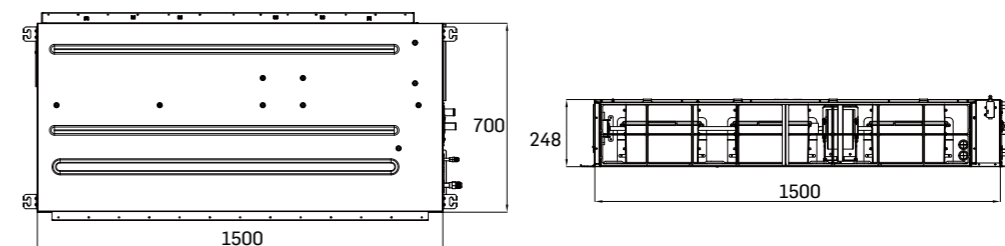
- Fixation adjustment
Width and length direction can be adjusted for more convenience



40VD018S-7G-QEE/40VD024S-7G-QEE/40VD028S-7G-QEE/40VD030S-7G-QEE
40VD018S-7G-KEE/40VD024S-7G-KEE/40VD028S-7G-KEE/40VD030S-7G-KEE



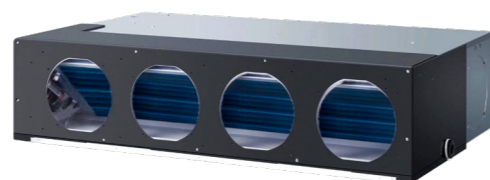
40VD038S-7G-QEE/40VD048S-7G-QEE/40VD054S-7G-QEE
40VD038S-7G-KEE/40VD048S-7G-KEE/40VD054S-7G-KEE





Indoor

MEDIUM STATIC DUCT (AC Motor 50/120 PA)



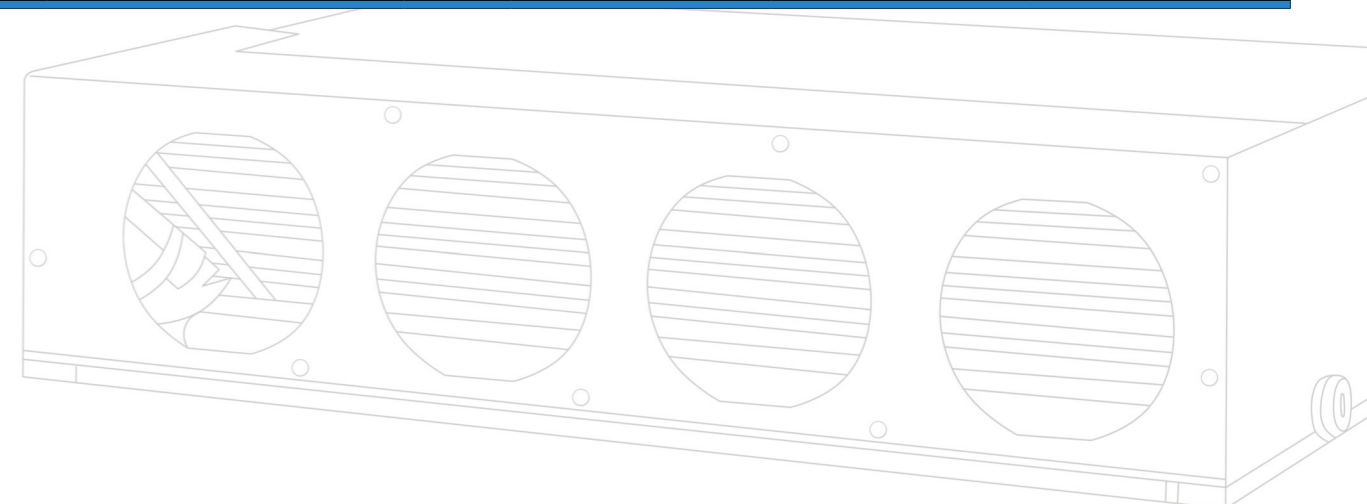
- Available static pressure up to 120 Pa
- Rear & bottom inlet choice
- Four 205 mm air outlets for spigot connection (3rd party)
- Optional external drain pump available

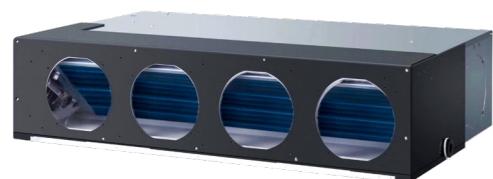


Specifications



Model Code	Item (China)	Unit	40VD030R-7G-QEE	40VD038R-7G-QEE	40VD048R-7G-QEE
	Item (Thailand)		40VD030R-7G-KEE	40VD038R-7G-KEE	40VD048R-7G-KEE
Capacity	Cooling	kBtu/h	30	38	48
		kW	9.0	11.2	14
	Heating	kBtu/h	34	43	55
		kW	10	12.5	16
Electrical Parameters	Power Supply	Ph/V/Hz	1/220-230/50/60	1/220-230/50/60	1/220-230/50/60
	Power consumption	W	490	490	490
Performance	Air Flow (H/M/L)	m ³ /h	2208/1973/1795	2208/1973/1795	2208/1973/1795
	Sound Pressure Level (H/M/L)	dB(A)	49/47/43	49/47/43	49/47/43
	Sound Power Level (H/M/L)	dB(A)	62/60/56	62/60/56	62/60/56
Installation	External Dimensions(W x D x H)	mm	1135 x 742 x 270	1135 x 742 x 270	1135 x 742 x 270
	Shipping Dimensions(W x D x H)	mm	1355 x 856 x 380	1355 x 856 x 380	1355 x 856 x 380
	Net/Shipping Weight	kg	47/53	47/53	47/53
	Refrigerant Liquid Pipe	mm	9.52	9.52	9.52
	Refrigerant Gas Pipe	mm	15.88	15.88	15.88
	Prain Pump	mm	38	38	38
	Static Pressure (Standard/max.)	Pa	50/120	80/120	80/120
Drain Pump	O-optional, S-standard, W-without	/	40VAD096P7FQEE (Optional)	40VAD096P7FQEE (Optional)	40VAD096P7FQEE (Optional)





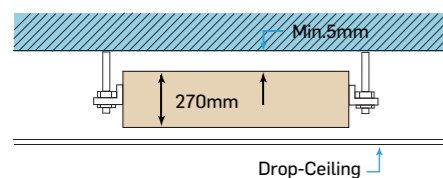
MEDIUM STATIC DUCT (AC MOTOR – 50/120 PA)



Indoor

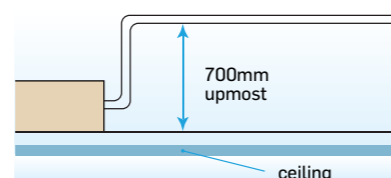
Slim & Compact Design

Uniform 270 mm in height. Compact design for easy installation where space over ceiling is limited, while offering up to 120 Pa ESP.

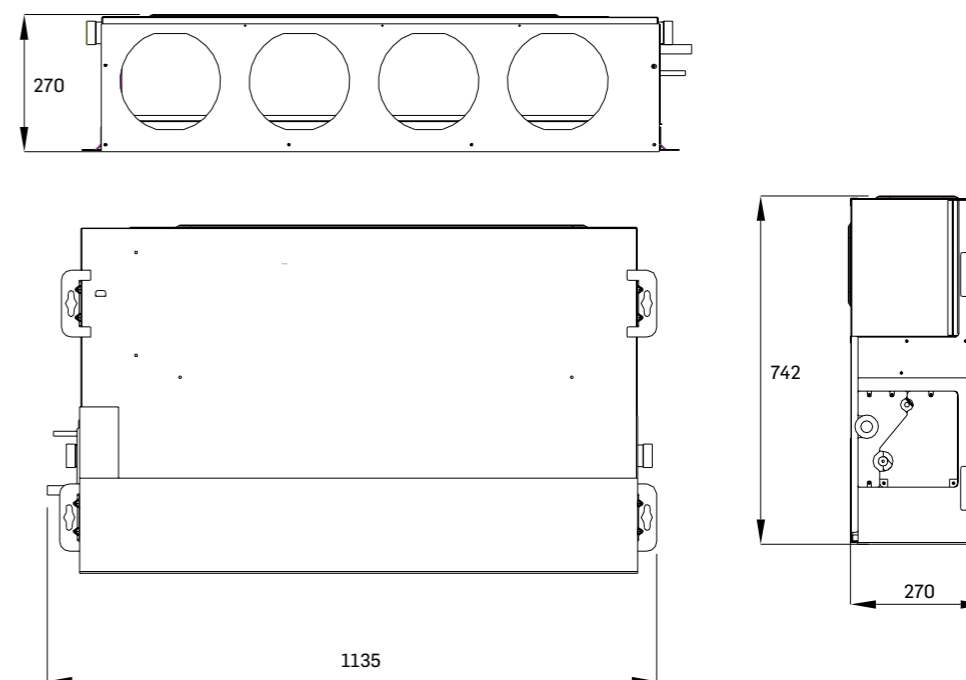


Optional Drain Pump

Optional drain pump
(700 mm pump head).

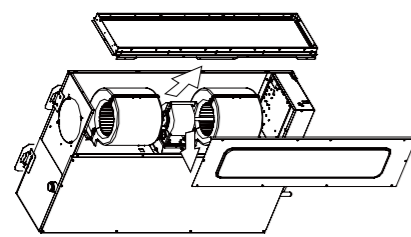


Dimensions

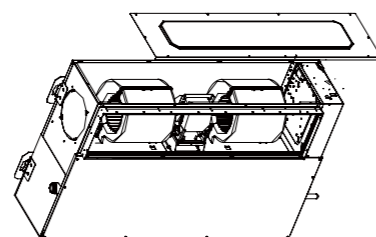


Flexible return air location

Remarks: In during installation, you can select the lower air return or back air return by adjusting the location of air inlet frame.



Back air return opening
(factory setting)



Below air return opening



HIGH STATIC DUCT (AC MOTOR 100/196 PA)



- Rear air return with plenum
- Flexible discharge duct connection
- Static pressure setting 100-196 Pa
- Eight models ranging from 5.6 kW to 28 kW to meet your consideration
- Optional external drain pump



Specifications

Model Code	Item (China)	Unit	40VD018H-7G-QEE	40VD024H-7G-QEE	40VD028H-7G-QEE	40VD030H-7G-QEE
	Item (Thailand)		40VD018H-7G-KEE	40VD024H-7G-KEE	40VD028H-7G-KEE	40VD030H-7G-KEE
Capacity	Cooling	kBtu/h	19.1	24.2	27.3	30.7
		kW	5.6	7.1	8.0	9.0
	Heating	kBtu/h	21.5	27.3	30.73	34.1
		kW	6.3	8.0	9.0	10
Electrical Parameters	Power Supply	Ph/V/Hz	1/220-230/50/60	1/220-230/50/60	1/220-230/50/60	1/220-230/50/60
	Power Consumption	W	450	450	450	560
Performance	Air Flow (H/M/L)	m ³ /h	1500/1357/1089	1500/1357/1089	1500/1357/1089	1560/1412/1133
	Sound Pressure Level (H/M/L)	dB(A)	42/40/38	42/40/38	42/40/38	45/43/40
	Sound Power Level (H/M/L)	dB(A)	55/53/51	55/53/51	55/53/51	58/53/50
Installation	External Dimensions(W x D x H)	mm	975 x 906 x 360	975 x 906 x 360	975 x 906 x 360	1355 x 876 x 360
	Shipping Dimensions(W x D x H)	mm	1048 x 943 x 413	1048 x 943 x 413	1048 x 943 x 413	1378 x 938 x 405
	Net/Shipping Weight	kg	54/62	54/62	54/62	66/74
	Refrigerant Liquid Pipe	mm	6.35	9.52	9.52	9.52
	Refrigerant Gas Pipe	mm	12.7	15.88	15.88	15.88
	Prain Pump	mm	32	32	32	32
	Static Pressure (Standard/max.)	Pa	100/196	100/196	100/196	80/120
Drain Pump	O-optional, S-standard, W-without	/	Optional	Optional	Optional	Optional

Specifications



Model Code	Item (China)	Unit	40VD038H-7G-QEE	40VD048H-7G-QEE	40VD072H-7G-QEE	40VD096H-7G-QEE
	Item (Thailand)		40VD038H-7G-KEE	40VD048H-7G-KEE	40VD072H-7G-KEE	40VD096H-7G-KEE
Capacity	Cooling	kBtu/h	38.2	47.8	77.1	95.6
		kW	11.2	14	22.6	28
	Heating	kBtu/h	42.6	54.6	85.3	105.8
		kW	12.5	16	25	31
Electrical Parameters	Power Supply	Ph/V/Hz	1/220-230/50/60	1/220-230/50/60	1/220-230/50/60	1/220-230/50/60
	Power Consumption	W	560	560	1110	1110
Performance	Air Flow (H/M/L)	m ³ /h	1600/1448/1162	2100/1901/1525	4050/3255/2612	4050/3255/2612
	Sound Pressure Level (H/M/L)	dB(A)	45/43/40	45/43/40	54/51/49	54/51/49
	Sound Power Level (H/M/L)	dB(A)	58/53/50	58/53/50	67/62/59	67/62/59
Installation	External Dimensions(W x D x H)	mm	1355 x 876 x 360	1355 x 876 x 360	1725 x 876 x 360	1725 x 876 x 360
	Shipping Dimensions(W x D x H)	mm	1378 x 938 x 405	1378 x 938 x 405	1830 x 990 x 530	1830 x 990 x 530
	Net/Shipping Weight	kg	66/74	66/74	100/112	100/112
	Refrigerant Liquid Pipe	mm	9.52	9.52	9.52	9.52
	Refrigerant Gas Pipe	mm	15.88	15.88	25.4	25.4
	Prain Pump	mm	32	32	32	32
	Static Pressure (Standard/max.)	Pa	100/196	100/196	100/196	100/196
Drain Pump	O-optional, S-standard, W-without	/	Optional	Optional	Optional	Optional

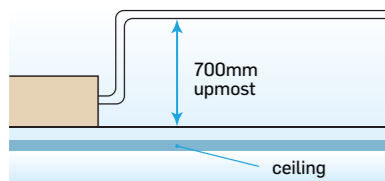


HIGH STATIC DUCT
(AC MOTOR – 100/196 PA)



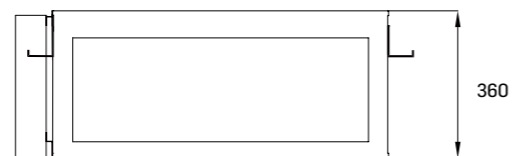
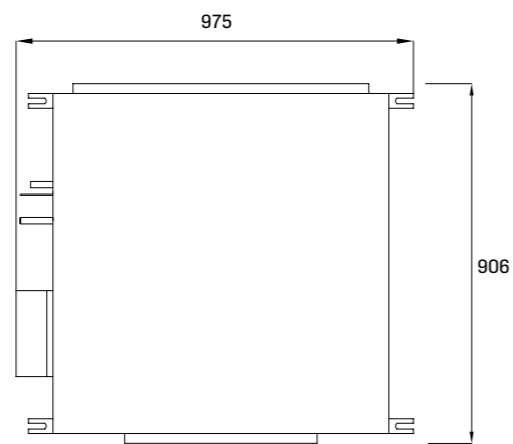
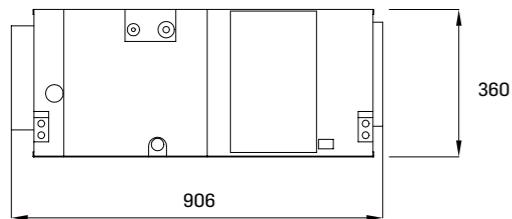
Optional Drain Pump

Optional drain pump
(700 mm pump head).



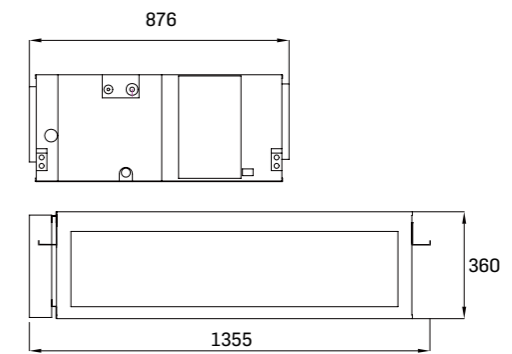
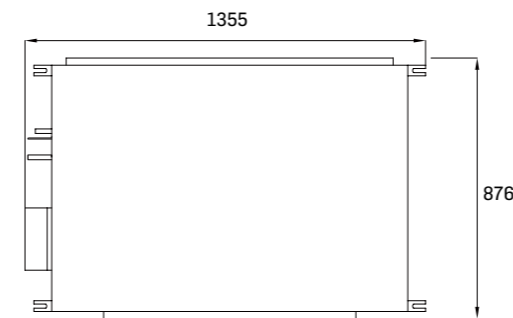
Dimensions

40VD018/024/028H-7G-QEE
40VD018/024/028H-7G-KEE

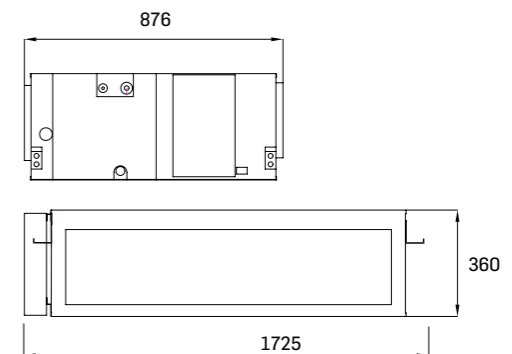
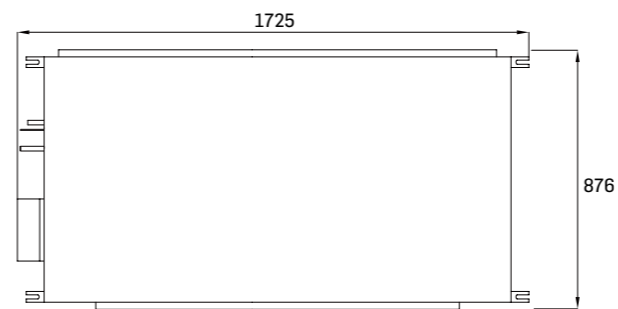


Dimensions

40VD030/038/048H-7G-QEE
40VD030/038/048H-7G-KEE



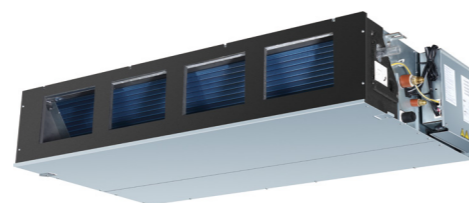
40VD072/096H-7G-QEE
40VD072/096H-7G-KEE





HIGH STATIC DUCT (DC MOTOR 0 - 250 PA)

- ↔ Wide range of capacities covered from 2.2 kW to 28kW with compact 280 mm height (40VD007-054H-7S-QEE)
- ⚙ High-efficiency, low energy consumption DC motor
- 🔧 6.35 mm coil copper pipe to ensure more precise & efficient refrigerant distribution
- 🌀 Top-performing composite material fan wheel blower with light air resistance
- 🔊 ESP can be changed according to requirements to minimize the noise
- 🔧 Installer-friendly buckle design of electric box & pull-out fan motor design
- 🔧 Built-in drain pump (40VD007-054H-7S-QEE)



Wired Controller 40VCW217FQEE Simple Wired Controller 40VCW117FQEE Wired Weekly Timer 40VCW317FQEE Wireless Controller 40VCI67FQEE Wireless Controller For Cooling Only 40VIC7FQSS Receiver 40VCIR7FQEE



Indoor

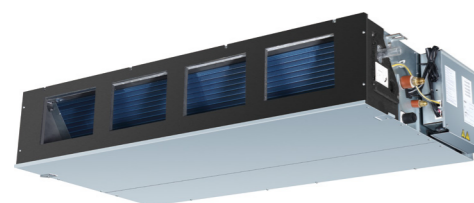
Specifications

Model Code	Item	Unit	40VD007H-7S-QEE	40VD009H-7S-QEE	40VD012H-7S-QEE	40VD015H-7S-QEE	40VD018H-7S-QEE	40VD024H-7S-QEE
Capacity	Cooling	kBtu/h	7.6	9.6	12.1	15.1	18.2	24
		kW	2.2	2.8	3.6	4.5	5.6	7.1
	Heating	kBtu/h	8.6	10.6	13.6	17	20	27
		kW	2.5	3.2	4.0	5.0	6.3	8.0
Electrical Parameters	Power Supply	Ph/V/Hz	1/220-240/50(60)	1/220-240/50(60)	1/220-240/50(60)	1/220-240/50(60)	1/220-240/50(60)	1/220-240/50(60)
	Power Consumption	W	120	120	181	181	181	252.3
Performance	Air Flow (H/M/L)	m³/h	500/410/360	600/510/450	700/580/500	780/680/600	900/780/600	1100/1020/920
	Sound Pressure Level (H/M/L)	dB(A)	30/25/23	30/25/23	32/29/26	32/29/26	32/29/26	33/29/25
Installation	External Dimensions(W x D x H)	mm	750 x 635 x 280	750 x 635 x 280	750 x 635 x 280	750 x 635 x 280	750 x 635 x 280	950 x 635 x 280
	Shipping Dimensions(W x D x H)	mm	980 x 740 x 335	980 x 740 x 335	980 x 740 x 335	980 x 740 x 335	980 x 740 x 335	1180 x 740 x 335
	Net/Shipping Weight	kg	29/35	29/35	29/35	29/35	29/35	34/41
	Refrigerant Liquid Pipe	mm	6.35	6.35	6.35	6.35	6.35	9.52
	Refrigerant Gas Pipe	mm	9.52	9.52	12.7	12.7	12.7	15.88
	Static Pressure (Standard/max.)	Pa	0-200	0-200	0-200	0-200	0-200	0-200
Drain Pump	O-optional,S-standard,W-without	/	Standard	Standard	Standard	Standard	Standard	Standard

Specifications



Model Code	Item	Unit	40VD028H-7S-QEE	40VD030H-7S-QEE	40VD036H-7S-QEE	40VD048H-7S-QEE	40VD054H-7S-QEE	40VD072H-7S-QEE	40VD096H-7S-QEE
Capacity	Cooling	kBtu/h	27.3	30	36	48	54	76.4	95.5
		kW	8.0	9.0	11.2	14	16	22.4	28
	Heating	kBtu/h	30.7	34	40	54	60	85.3	105.8
		kW	9.0	10	12.5	16	18	25	31
Electrical Parameters	Power Supply	Ph/V/Hz	1/220-240/50(60)	1/220-240/50(60)	1/220-240/50(60)	1/220-240/50(60)	1/220-240/50(60)	1/220-240/50(60)	1/220-240/50(60)
	Power Consumption	W	259.3	259.3	315.6	366.8	366.8	645.0	950.0
Performance	Air Flow (H/M/L)	m³/h	1500/1320/1220	1500/1320/1220	1700/1510/1400	2280/1920/1780	2280/1920/1780	4200/3500/2900	5200/4300/3500
	Sound Pressure Level (H/M/L)	dB(A)	33/29/25	33/29/25	38/36/30	40/34/29	40/34/29	55/51/47	62/58/54
Installation	External Dimensions (W x D x H)	mm	950 x 635 x 280	950 x 635 x 280	1370 x 740 x 280	1370 x 740 x 280	1370 x 740 x 280	1330×895×500	1330×895×500
	Shipping Dimensions (W x D x H)	mm	1180 x 740 x 335	1180 x 740 x 335	1555 x 839 x 380	1555 x 839 x 380	1555 x 839 x 380	1590×1087×690	1590×1087×690
	Net/Shipping Weight	kg	34/41	34/41	54/68	54/68	54/68	103/146	103/146
	Refrigerant Liquid Pipe	mm	9.52	9.52	9.52	9.52	9.52	12.7	12.7
	Refrigerant Gas Pipe	mm	15.88	15.88	15.88	15.88	15.88	22.22	22.22
	Static Pressure (Standard/max.)	Pa	0-200	0-200	0-200	0-200	0-200	100/250	100/250
Drain Pump	O-optional,S-standard,W-without	/	Standard	Standard	Standard	Standard	Standard	Without	Without

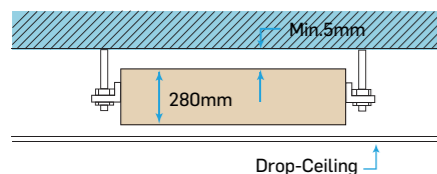


HIGH STATIC DUCT (DC MOTOR – 0/250 PA)



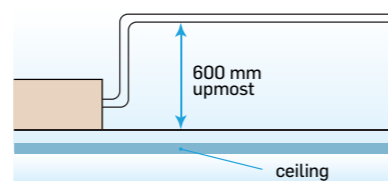
Slim, Light Weight & Compact Design

Uniform 280 mm in height. Compact design for easy installation where space over ceiling is limited.



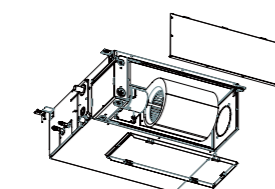
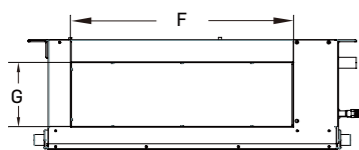
Built-in Drain Pump

Built-in drain pump (600 mm pump head).

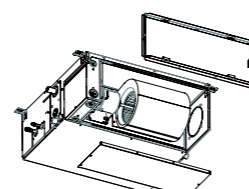


Energy Saving

- High-efficiency DC fan motor
- 6.35mm heat exchange tube ensures more precise refrigerant distribution and higher efficiency
- High performance composite material wind wheel, light and small air resistance



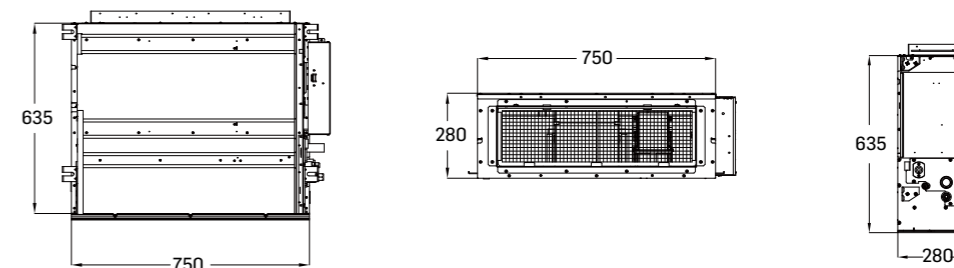
Back air return opening



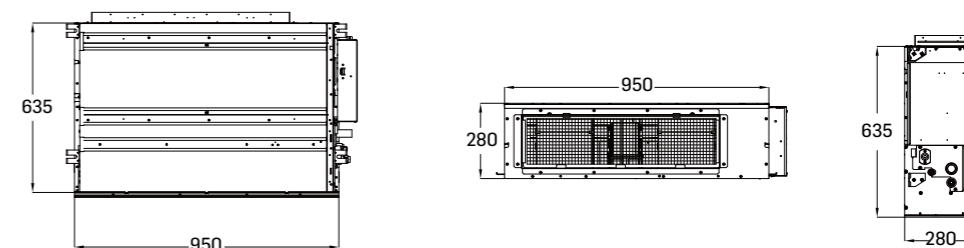
Below air return opening

Dimensions

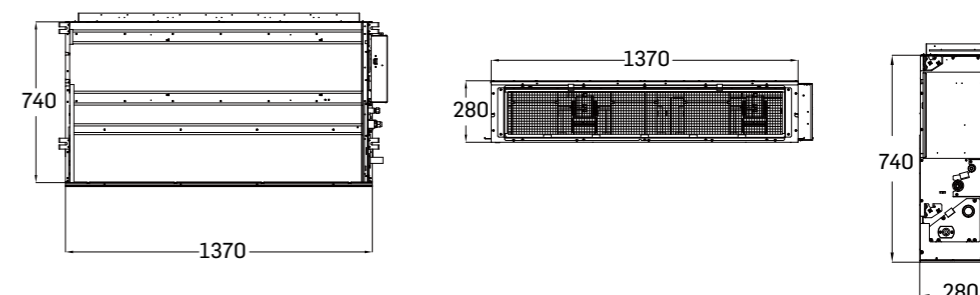
40VD007/009/012/015/018H-7S-QEE



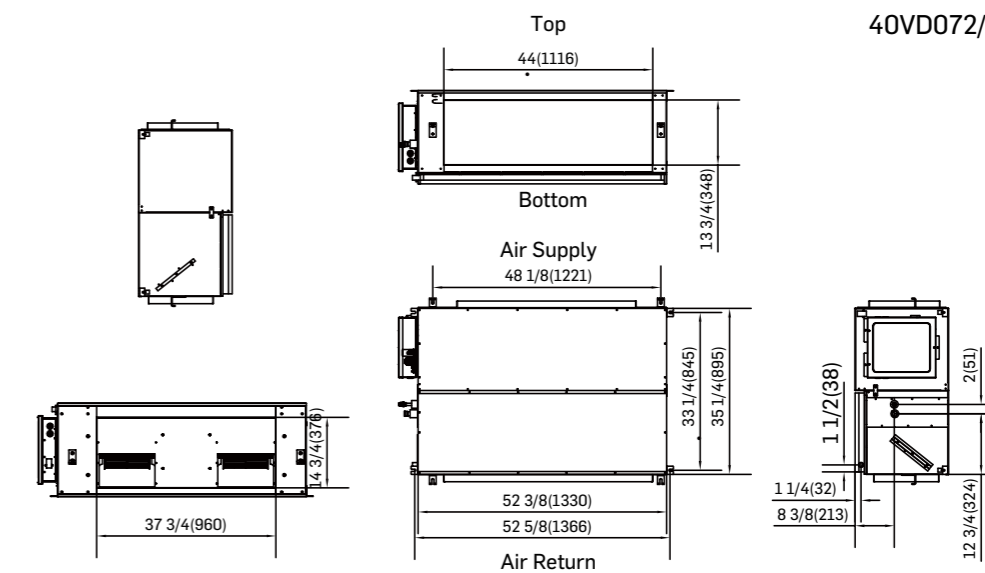
40VD024/028/030H-7S-QEE



40VD036/048/054H-7S-QEE



40VD072/096H-7S-QEE





Indoor





HIGH WALL (DC MOTOR)

- Stylish & exclusive design with LED display
- Easy-support clip to enable simple installation
- High efficiency DC powered fan
- Cover panel using ABS-material to improve surface brightness and tenacity
- PCB integrated design, flexible piping direction arrangement
- PM 2.5 filter available (optional)



Wired Controller
40VCW217FQEE



Simple Wired Controller
40VCW117FQEE



Wired Weekly Timer
40VCW317FQEE



Wireless Controller Standard For Cooling Only



Wireless Controller Standard For Heat Pump



Specifications

Model Code	Item (China) Item (Thiland)	Heat Pump	Unit	40VK005S-7S2QEE 40VK005S-7S2KEE	40VK007S-7S2QEE 40VK007S-7S2KEE	40VK009S-7S2QEE 40VK009S-7S2KEE	40VK012S-7S2QEE 40VK012S-7S2KEE	40VK016S-7S2QEE 40VK016S-7S2KEE
	Item (China) Item (Thiland)	Cooling only		40VK005S-7S-QSS 40VK005S-7S-KSS	40VK007S-7S-QSS 40VK007S-7S-KSS	40VK009S-7S-QSS 40VK009S-7S-KSS	40VK012S-7S-QSS 40VK012S-7S-KSS	40VK016S-7S-QSS 40VK016S-7S-KSS
Capacity	Cooling		kBtu/h	5.1	7.5	9.5	12.3	15.3
			kW	1.5	2.2	2.8	3.6	4.5
	Heating*		kBtu/h	5.8	8.5	10.9	13.6	17.1
			kW	1.7	2.5	3.2	4.0	5.0
Electrical Parameters	Power Supply	Ph/V/Hz	1/220-240/50/60	1/220-240/50/60	1/220-240/50/60	1/220-240/50/60	1/220-240/50/60	
	Power Consumption	W	38	38	38	38	52	
Performance	Air Flow (H/M/L)	m ³ /h	500/430/370	550/480/420	600/530/470	630/560/500	800/720/650	
	Sound Pressure Level(H/M/L)	dB(A)	33/31/29	35/31/29	36/31/29	37/33/29	39/36/34	
	Sound Power Level(H/M/L)	dB(A)	49/46/41	50/47/42	52/48/44	54/51/50	56/53/51	
Installation	External Dimensions(W x D x H)	mm	855 x 208 x 280	855 x 208 x 280	855 x 208 x 280	855 x 208 x 280	1115 x 243 x 336	
	Shipping Dimensions(W x D x H)	mm	954 x 279 x 355	954 x 279 x 355	954 x 279 x 355	954 x 279 x 355	1206 x 342 x 418	
	Net/Shipping Weight	kg	9.9/12	9.9/12	9.9/12	9.9/12	15.8/18.9	
	Refrigerant Liquid Pipe	mm	6.35	6.35	6.35	6.35	6.35	
	Refrigerant Gas Pipe	mm	9.52	9.52	9.52	12.7	12.7	
Drain Pump	O-optional,S-standard,W-without	/	Optional	Optional	Optional	Optional	Optional	

* Heating Data is invalid for cooling only products.

Specifications



Model Code	Item (China) Item (Thiland)	Heat Pump	Unit	40VK018S-7S2QEE 40VK018S-7S2KEE	40VK024S-7S2QEE 40VK024S-7S2KEE	40VK028S-7S2QEE 40VK028S-7S2KEE	40VK030S-7S2QEE 40VK030S-7S2 KEE
	Item (China) Item (Thiland)	Cooling only		40VK018S-7S-QSS 40VK018S-7S-KSS	40VK024S-7S-QSS 40VK024S-7S-KSS	40VK028S-7S-QSS 40VK028S-7S-KSS	40VK030S-7S-QSS 40VK030S-7S-KSS
Capacity	Cooling		kBtu/h	19.1	24.2	27.3	30.7
			kW	5.6	7.1	8.0	9.0
	Heating*		kBtu/h	21.5	27.3	30.7	34.1
			kW	6.3	8.0	9.0	10
Electrical Parameters	Power Supply	Ph/V/Hz	1/220-240/50/60	1/220-240/50/60	1/220-240/50/60	1/220-240/50/60	
	Power Consumption	W	52	52	94	94	
Performance	Air Flow (H/M/L)	m ³ /h	920/800/720	1010/920/800	1500/1400/1300	1600/1500/1400	
	Sound Pressure Level(H/M/L)	dB(A)	40/39/35	44/40/36	48/43/40	49/44/41	
	Sound Power Level(H/M/L)	dB(A)	57/54/52	58/56/54	60/57/53	61/58/54	
Installation	External Dimensions(W x D x H)	mm	1115 x 243 x 336	1115 x 243 x 336	1316 x 270 x 365	1316 x 270 x 365	
	Shipping Dimensions(W x D x H)	mm	1206 x 342 x 418	1206 x 342 x 418	1403 x 384x 463	1403 x 384x 463	
	Net/Shipping Weight	kg	15.8/18.9	15.8/18.9	21.8/26.3	21.8/26.3	
	Refrigerant Liquid Pipe	mm	6.35	9.52	9.52	9.52	
	Refrigerant Gas Pipe	mm	12.7	15.88	15.88	15.88	
Drain Pump	O-optional,S-standard,W-without	/	Optional	Optional	Optional	Optional	

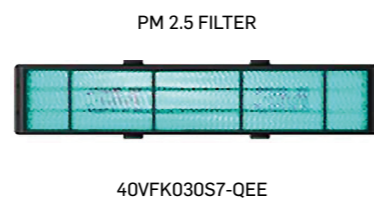
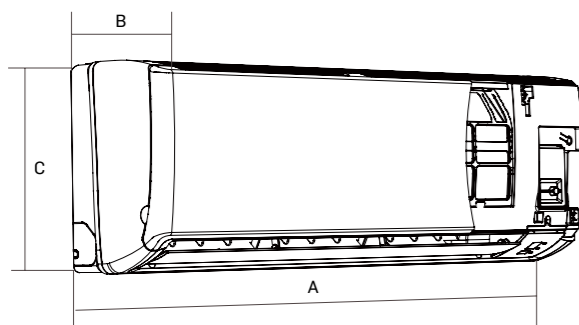


HIGH WALL (DC MOTOR)



Dimensions

MODEL	A	B	C
40VK005/007/009/012S-7S	855	208	280
40VK016/018/024S-7S	1115	243	336
40VK028/030S-7S	1316	220	365

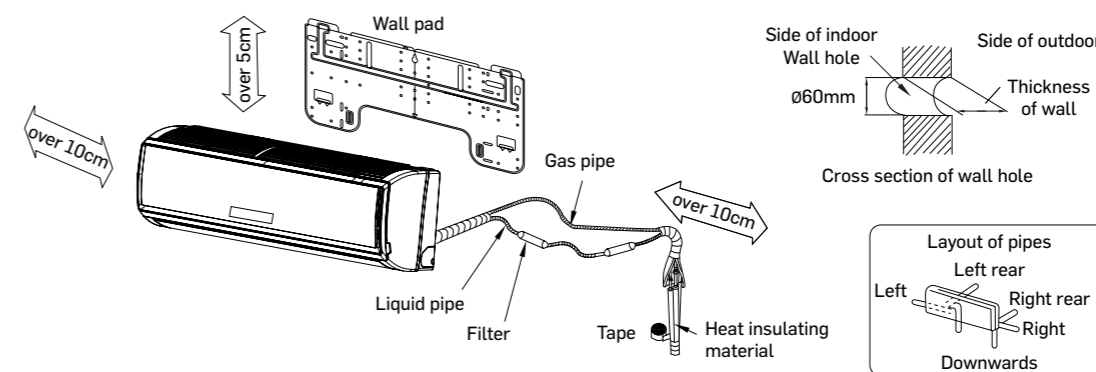
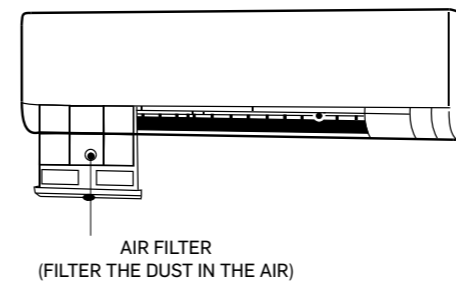


PM 2.5 FILTER (OPTIONAL)

FILTER CODE	DIMENSIONS
40VFK030S7-QEE	225*50*5 MM

Easy Service & Maintenance

- Easy removal of air filters for cleaning
- Remote on/off function and alarm function
- Easy access to indoor unit components





Indoor

Specifications



Model Code	Item	Unit	40VL005B-7E-QEE	40VL007B-7E-QEE	40VL009B-7E-QEE	40VL012B-7E-QEE	40VL018B-7E-QEE
Capacity	Cooling	kBtu/h	5.1	7.5	9.5	12.3	17
		kW	1.5	2.2	2.8	3.6	5.0
	Heating*	kBtu/h	5.8	8.5	10.9	13.6	18.5
		kW	1.7	2.6	3.2	4.0	5.5
Electrical Parameters	Power Supply	Ph/V/Hz	1,220-230V,50/60	1,220-230V,50/60	1,220-230V,50/60	1,220-230V,50/60	1,220-230V,50/60
	Power Consumption	W	31	31	31	34	36
Performance	Air Flow (H/M/L)	m³/h	540/460/390/310/270	540/460/390/310/270	540/460/390/310/270	580/500/420/350/270	620/540/460/390/270
	Sound Pressure Level(H/M/L)	dB(A)	45/42/38/33/30	45/42/38/33/30	45/42/38/33/30	47/44/40/36/30	48/45/42/38/30
	Sound Power Level(H/M/L)	dB(A)	58/55/52/48/45	58/55/52/48/45	58/55/52/48/45	60/57/54/51/47	61/58/55/52/48
Installation	External Dimensions(W x D x H)	mm	700 x 210 x 600	700 x 210 x 600	700 x 210 x 600	700 x 210 x 600	700 x 210 x 600
	Shipping Dimensions(W x D x H)	mm	783 x 303 x 695	783 x 303 x 695	783 x 303 x 695	783 x 303 x 695	783 x 303 x 695
	Net/Shipping Weight	kg	15.2/18.7	15.2/18.7	15.2/18.7	15.2/18.7	15.2/18.7
	Refrigerant Liquid Pipe	mm	6.35	6.35	6.35	6.35	6.35
	Refrigerant Gas Pipe	mm	12.7	12.7	12.7	12.7	12.7

TWO-WAY CONSOLE (DC MOTOR)



- ✂ Compact design makes installation flexible and easy on the floor or against the wall
- 🌀 Five fan speeds and two-way airflow modes that automatically adjust for extra comfort and flexibility
- 📶 Automatic adjusting to carpet airflow when switched to two-way airflow mode
- 🎨 Stylish & elegant design



Wired Controller
40VCW217FQEE



Simple Wired Controller
40VCW117FQEE



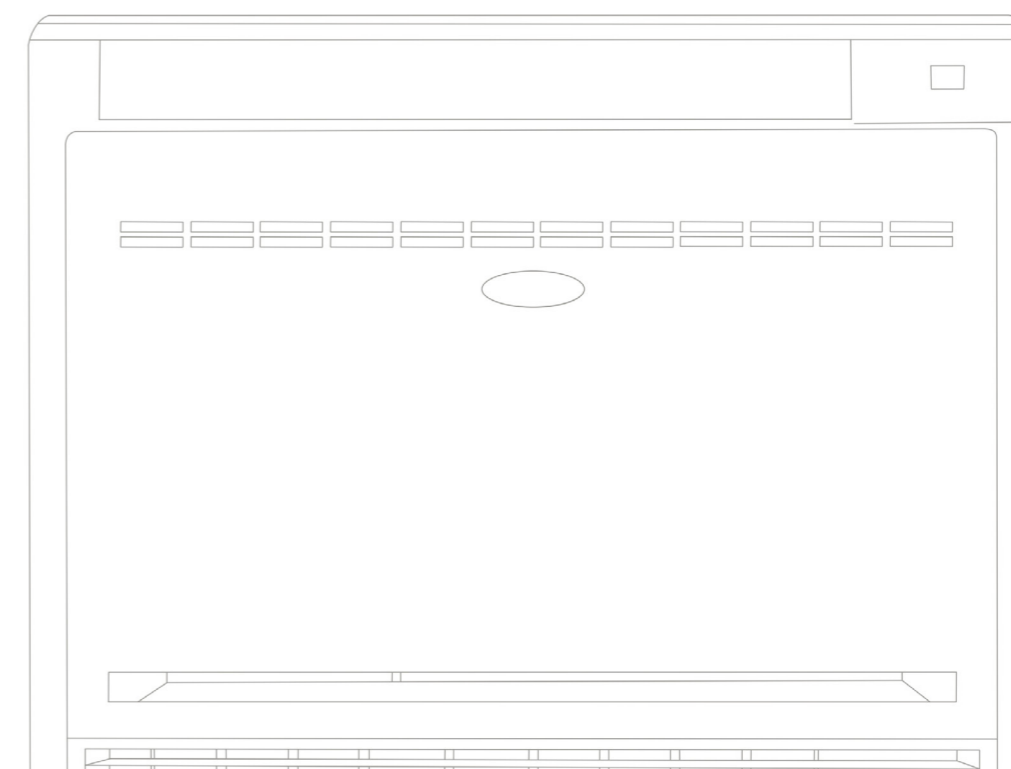
Wired Weekly Timer
40VCW317FQEE



Wireless Controller For Heat Pump
40VCI67FQEE



Wireless Controller For Cooling Only
40VIC7FQSS

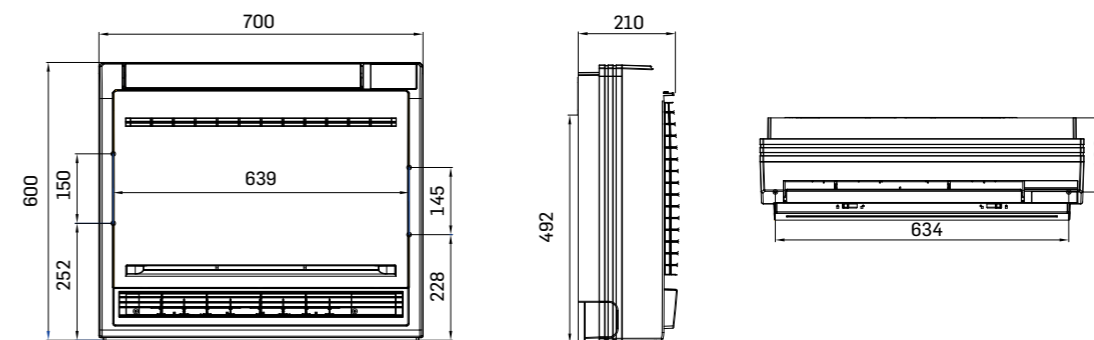




TWO-WAY CONSOLE (DC MOTOR)



Dimensions



Easy Installation

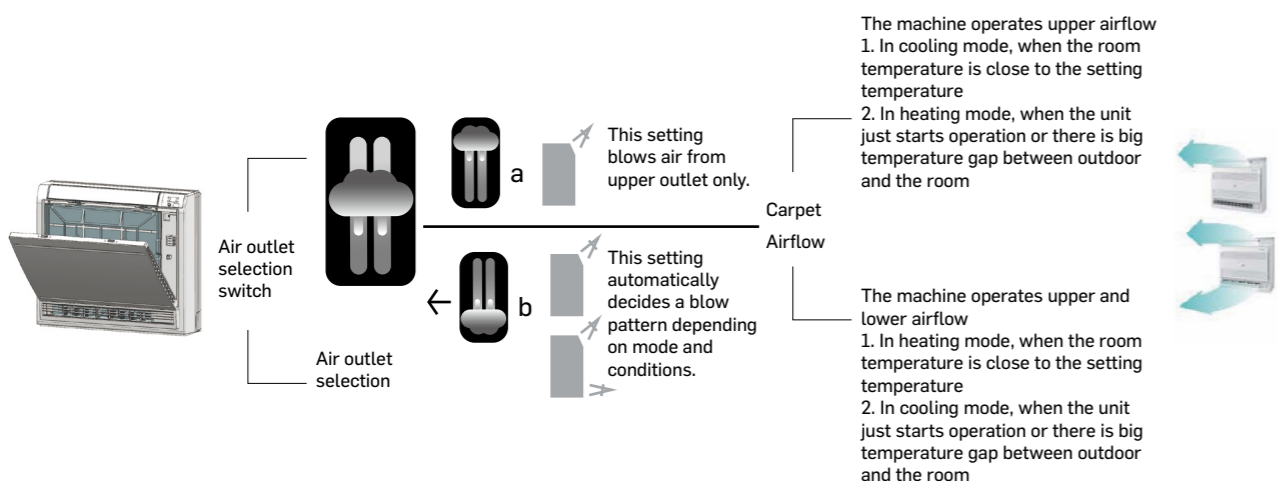
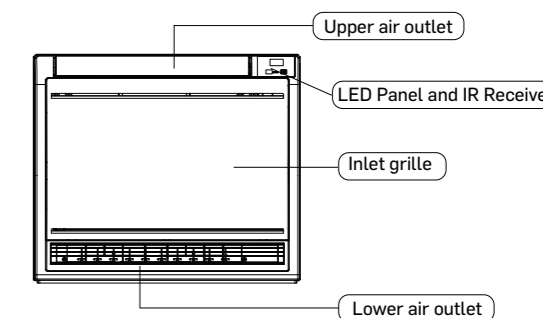
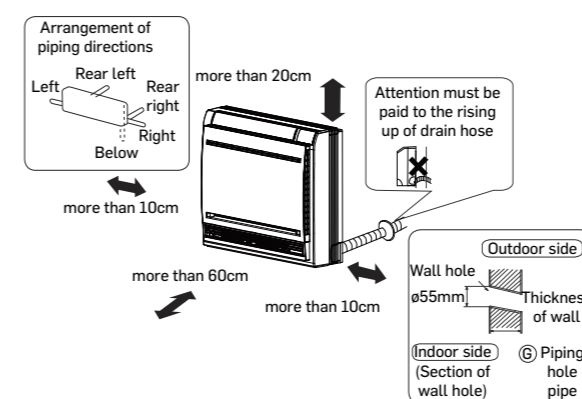
- The indoor units can be installed on the floor or on the wall. It's flexibility allows for easy installation.



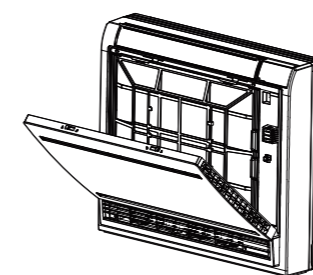
Compact Unit, Space Saving

- The console indoor unit is very slim and will be harmonious with any room. It can be placed at the corner, and is very space saving.

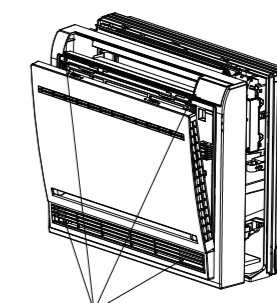
Installation & Service



- Hold the front panel by the tabs on the both sides and lift it until it stops with a click.



- Loosen the marked four screws and open the grille.



Four screws



Indoor

Specifications

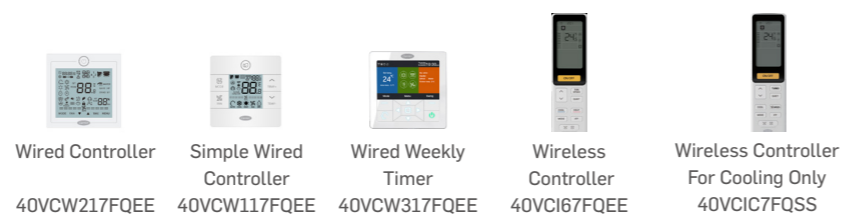


Model Code	Item	Unit	40VL007R-7G-QEE	40VL009R-7G-QEE	40VL012R-7G-QEE	40VL016R-7G-QEE	40VL018R-7G-QEE	40VL024R-7G-QEE
Capacity	Cooling	kBtu/h	7.5	9.5	12.3	15.3	19.1	24.2
		kW	2.2	2.8	3.6	4.5	5.6	7.1
	Heating	kBtu/h	8.5	10.9	13.6	17.1	21.5	27.3
		kW	2.5	3.2	4.0	5.0	6.3	8.0
Electrical Parameters	Power Supply	Ph/V/Hz	1/220-230/50/60	1/220-230/50/60	1/220-230/50/60	1/220-230/50/60	1/220-230/50/60	1/220-230/50/60
	Power Consumption	W	110	110	110	150	150	150
Performance	Air Flow (H/M/L)	m³/h	750/650/550	750/650/550	750/650/550	950/830/720	950/830/720	950/830/720
	Sound Pressure Level(H/M/L)	dB(A)	38/35/33	38/35/33	40/37/35	40/37/35	42/39/36	42/39/36
	Sound Power Level(H/M/L)	dB(A)	51/48/46	51/48/46	53/50/48	53/50/48	55/52/49	55/52/49
Installation	External Dimensions(W x D x H)	mm	1116 x 221 x 624	1116 x 221 x 624	1116 x 221 x 624	1116 x 221 x 624	1116 x 221 x 624	1116 x 221 x 624
	Shipping Dimensions(W x D x H)	mm	1198 x 295 x 707	1198 x 295 x 707	1198 x 295 x 707	1198 x 295 x 707	1198 x 295 x 707	1198 x 295 x 707
	Net/Shipping Weight	kg	29/37	29/37	29/37	31/39	31/39	31/39
	Refrigerant Liquid Pipe	mm	6.35	6.35	6.35	6.35	6.35	9.52
	Refrigerant Gas Pipe	mm	9.52	9.52	12.7	12.7	12.7	15.88
	Static Pressure	Pa	0/30	0/30	0/30	0/30	0/30	0/30

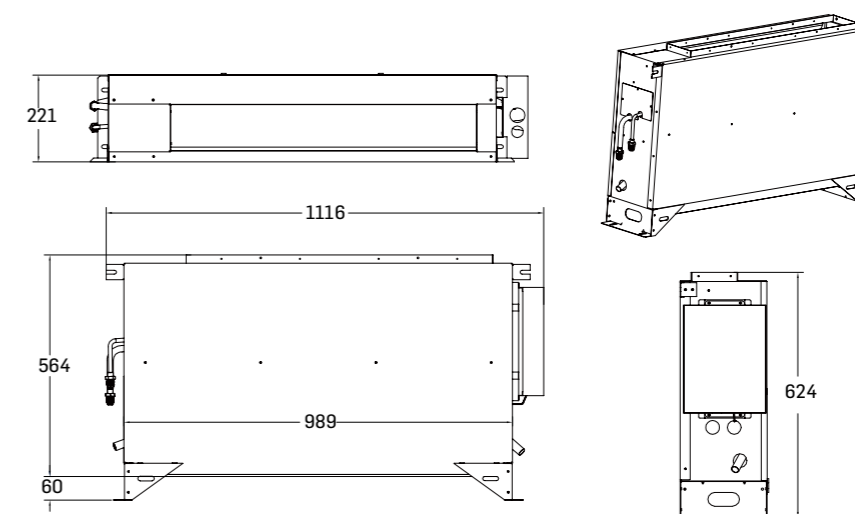
CONSOLE - RECESSED (AC MOTOR)



- Compact design suitable for installation space as little as 221 mm
- Good solution for installation beneath a window
- Washable filter fitted as standard
- 30 Pa available static pressure for small ducting or higher efficiency filter



Dimensions

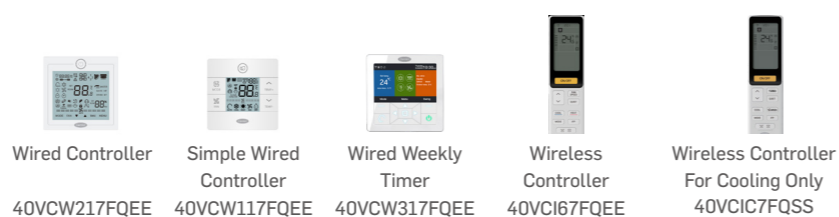




FLEX CEILING FLOOR (DC MOTOR)



- Ultra compact design (230 mm), elegant balance of flexibility and simplicity
- Appealing, even without screen cover
- Easy installation and maintenance
- Simultaneous left and right swing control for optional freestyle airflow
- Easy access to PCB
- PM 2.5 filter available (optional)



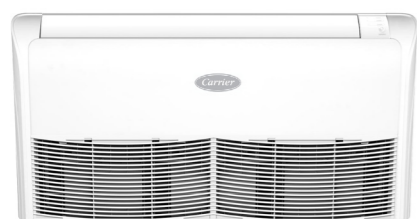
Specifications

Model Code	Item	Unit	40VC009F-7S-QEE	40VC012F-7S-QEE	40VC016F-7S-QEE	40VC018F-7S-QEE	40VC024F-7S-QEE
Capacity	Cooling	kBtu/h	9.5	12.3	15.4	19.1	24.2
		kW	2.8	3.6	4.5	5.6	7.1
	Heating	kBtu/h	10.9	13.6	17.1	21.5	27.3
		kW	3.2	4.0	5.0	6.3	8.0
Electrical Parameters	Power Supply	Ph/V/Hz	1,220-230,50/60	1,220-230,50/60	1,220-230,50/60	1,220-230,50/60	1,220-230,50/60
	Power Consumption	W	35	35	45	45	80
Performance	Air Flow (H/M/L)	m ³ /h	820/750/690	820/750/690	950/820/690	950/820/690	1420/1270/1240
	Sound Pressure Level(H/M/L)	dB(A)	38/36/34	38/36/34	42/38/35	42/38/35	46/44/41
	Sound Power Level(H/M/L)	dB(A)	52/50/47	52/50/47	55/51/48	55/51/48	60/58/54
Installation	External Dimensions(W x D x H)	mm	1000 x 230 x 680	1000 x 230 x 680	1000 x 230 x 680	1000 x 230 x 680	1330 x 230 x 680
	Shipping Dimensions(W x D x H)	mm	1100 x 305 x 779	1100 x 305 x 779	1100 x 305 x 779	1100 x 305 x 779	1425 x 305 x 779
	Net/Shipping Weight	kg	27.9/33.6	27.9/33.6	27.9/33.6	27.9/33.6	35.8/42.1
	Refrigerant Liquid Pipe	mm	6.35	6.35	6.35	6.35	9.52
	Refrigerant Gas Pipe	mm	9.52	12.7	12.7	12.7	15.88

Specifications



Model Code	Item	Unit	40VC028F-7S-QEE	40VC030F-7S-QEE	40VC038F-7S-QEE	40VC048F-7S-QEE	40VC054F-7S-QEE
Capacity	Cooling	kBtu/h	27.3	30.7	38.2	48.0	54
		kW	8.0	9.0	11.2	14.0	16
	Heating	kBtu/h	30.7	34.1	42.6	55.0	60
		kW	9.0	10	12.5	16.0	18
Electrical Parameters	Power Supply	Ph/V/Hz	1,220-230,50/60	1,220-230,50/60	1,220-230,50/60	1,220-230,50/60	1,220-230,50/60
	Power Consumption	W	105	105	126	126	126
Performance	Air Flow (H/M/L)	m ³ /h	1570/1420/1240	1570/1420/1240	2110/1990/1750	2110/1990/1750	2110/1990/1750
	Sound Pressure Level(H/M/L)	dB(A)	47/44/41	47/44/41	50/46/43	50/46/43	50/46/43
	Sound Power Level(H/M/L)	dB(A)	61/58/54	61/58/55	63/60/57	63/60/57	63/60/57
Installation	External Dimensions(W x D x H)	mm	1330 x 230 x 680	1330 x 230 x 680	1650 x 230 x 680	1650 x 230 x 680	1650*230*680
	Shipping Dimensions(W x D x H)	mm	1425 x 305 x 779	1425 x 305 x 779	1750 x 305 x 779	1750 x 305 x 779	1750*305*779
	Net/Shipping Weight	kg	35.8/42.1	35.8/42.1	43.5/50.5	43.5/50.5	43.5/50.5
	Refrigerant Liquid Pipe	mm	9.52	9.52	9.52	9.52	9.52
	Refrigerant Gas Pipe	mm	15.88	15.88	15.88	15.88	15.88

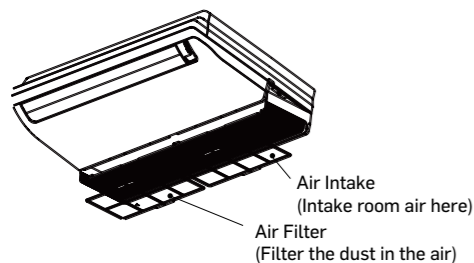


FLEX CEILING FLOOR (DC MOTOR)



Easy Service & Maintenance

- Easy removal of air filters for cleaning
- Easy access to indoor unit components
- Remote on/off function and alarm function



Design Aesthetics

- The visually ultra thin body features wave-shaped vents on both sides that embody multiple levels of design



- Visually screw-free, yet easy to maintain

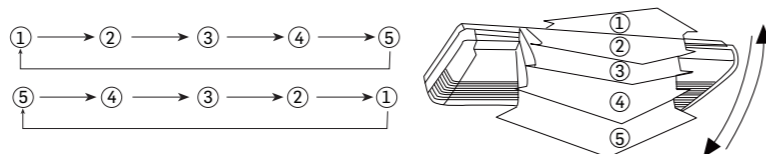


PM 2.5 Filter (Optional)

UNIT MODEL	FILTER MODEL NAME	FILTER SIZE	FILTER PIC
40VC009/012/016/018F-7S-QEE	40VFC018F7-QEE	133*52*10	
40VC024/028/030F-7S-QEE	40VFC054F7-QEE	224*69.3*10	
40VC038/048/054F-7S-QEE	2*40VFC054F7-QEE	2*224*69.3*10	

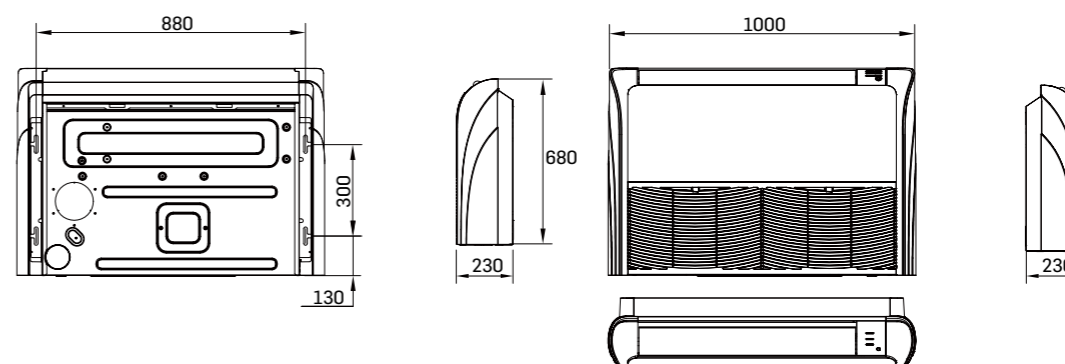
Multiple Air Distribution Directions

On pressing the SWING button, the flap changes between the following positions:

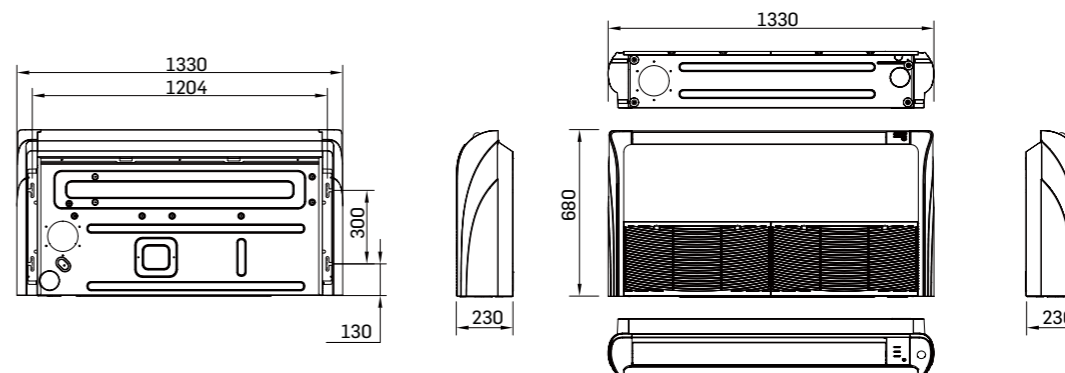


Dimensions

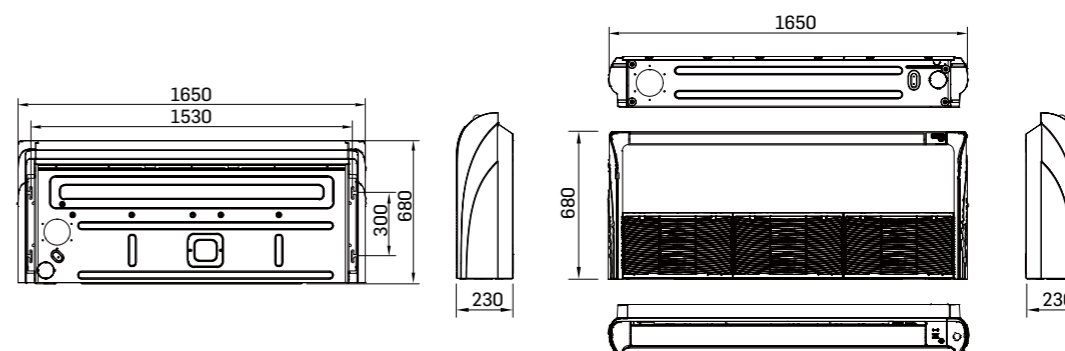
40VC009/012/016/018F-7S-QEE



40VC024/028/030F-7S-QEE



40VC038/048/054F-7S-QEE





Indoor





Indoor

Specifications

COOLING HEATING

Model Code	Item	Unit	40VD048A-7G-QEE	40VD072A-7G-QEE	40VD096A-7G-QEE
Capacity	Cooling	kBtu/h	47.7	77.1	95.5
		kW	14	22.6	28
	Heating	kBtu/h	30.4	51.8	60.8
		kW	8.9	15.2	17.8
Electrical Parameters	Power Supply	Ph/V/Hz	1/220-230/50/60	1/220-230/50/60	1/220-230/50/60
	Power Consumption	W	560	730	870
Performance	Air Flow (H/M/L)	m³/h	1600/1460/1070	2300/1900/1320	2800/2400/1820
	Sound Pressure Level(H/M/L)	dB(A)	48/47/42	55/53/50	55/54/52
	Sound Power Level(H/M/L)	dB(A)	61/60/56	68/65/60	68/66/62
Installation	External Dimensions(W x D x H)	mm	1355 x 876 x 360	1725 x 876 x 360	1725 x 876 x 360
	Shipping Dimensions(W x D x H)	mm	1386 x 966 x 418	1830 x 990 x 530	1830 x 990 x 530
	Net/Shipping Weight	kg	69/74	100/127	101/128
	Refrigerant Liquid Pipe	mm	9.52	9.52	9.52
	Refrigerant Gas Pipe	mm	15.88	25.4	25.4
	Static Pressure (Standard/Max.)	Pa	100/185	100/200	100/200

OUTSIDE AIR UNIT 40VDA



- AC Motor
- Rear air return with plenum
- Flexible discharge duct connection
- Static pressure setting 100-185 or 200 Pa
- 3 models ranging from 14 kw to 28 kw
- Three models can be installed with indoor unit from 14~28 (kW) to provide 100% outside air or in combination with other VRF indoor units (up to 30% outside air)-connection ratio 80 to 100%
- Optional drain pump 700 mm pump head 40VAD096P7FQEE



Wired Controller 40VCW217FQEE Simple Wired Controller 40VCW117FQEE Wired Weekly Timer 40VCW317FQEE

Note: Not compatible with SD ODU

The Matching Rule of Outside Air Unit

Duct Fresh Air Unit	Connection Method	Quantity of Outside Air Unit	Outdoor Unit Selection
40VD048A-7G-QEE	Outside air unit only	2	10 HP
	Together with VRF indoor units	1	Minimum outdoor capacity 18 HP
40VD072A-7G-QEE	Outside air unit only	1	8 HP
	Together with VRF indoor units	1	Minimum outdoor capacity 28 HP
40VD096A-7G-QEE	Outside air unit only	1	10 HP
	Together with VRF indoor units	1	Minimum outdoor capacity 34 HP



OUTSIDE AIR UNIT

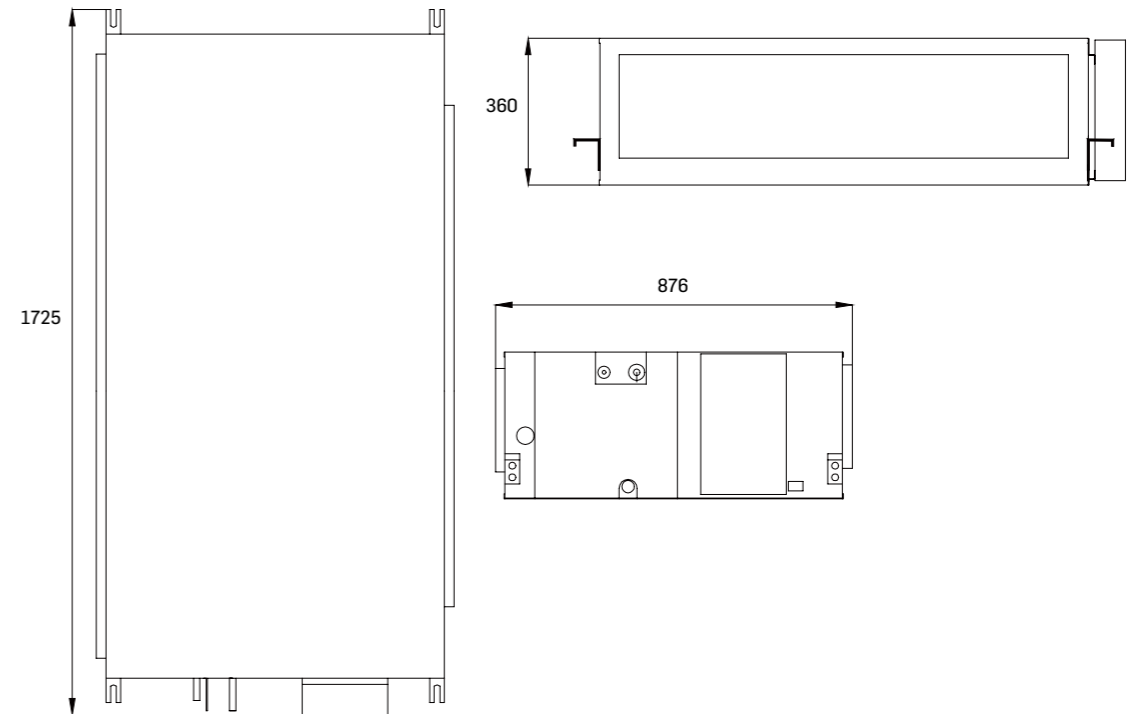
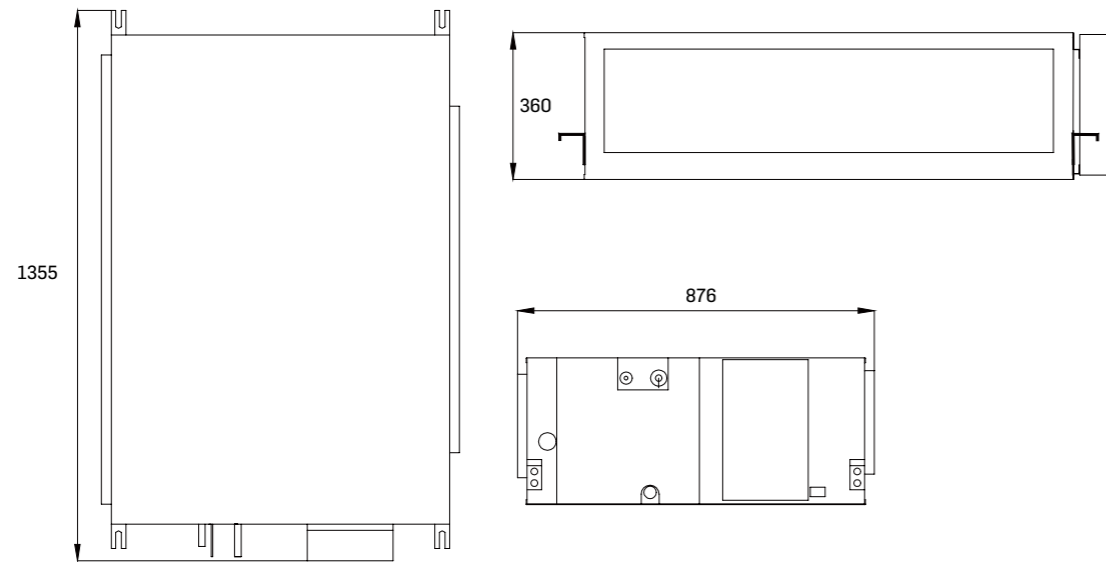


Indoor

Dimensions

40VD048A-7G-QEE

40VD072/096A-7G-QEE





Specifications

Model Code	Item	Unit	40VH015A-7G-QEE	40VH026A-7G-QEE	40VH050A-7G-QEE	40VH080A-7G-QEE	40VH100A-7G-QEE
Electrical Parameters	Power Supply	Ph/V/Hz	1/220-230/50/60	1/220-230/50/60	1/220-230/50/60	1/220-230/50/60	1/220-230/50/60
	Rated Power Input	KW	0.1	0.12	0.36	0.36	0.36
	Rated Current	A	0.55	0.55	1.65	1.65	1.65
Performance	Air Flow (H)	m ³ /h	150	260	500	800	1000
	Sound Pressure Level(H/L)	dB(A)	44/43	44/43	57/55	57/55	57/55
	Sound Power Level(H/L)	dB(A)	55/54	55/54	68/66	68/66	68/66
Installation	External Dimensions(W x D x H)	mm	632 x 553 x 276	632 x 553 x 276	1227 x 1115 x 387	1227 x 1115 x 387	1227 x 1115 x 387
	Shipping dimensions(W x D x H)	mm	1000 x 760 x 320	1000 x 760 x 320	1452 x 1200 x 410	1452 x 1200 x 410	1452 x 1200 x 410
	Net/Shipping Weight	kg	28.7/31.2	28.7/31.2	85.5/90.6	85.5/90.6	85.5/90.6
	Static Pressure	Pa	80	60	150	120	100

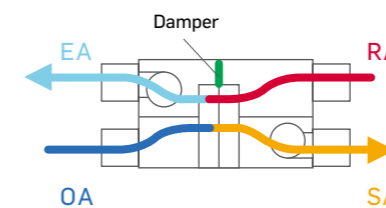
HRV



- Five models ranging from 150 CMH to 1000 CMH
- Efficient heat recovery air processing
- Heat exchanger efficiency up to 50% in summer & 65% in winter
- Independent 220V power supply
- Can run in slight over-pressure or under-pressure mode

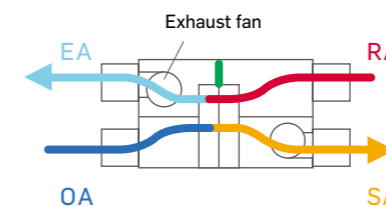
Note: This unit doesn't require refrigerant connection

Air to Air Heat Exchanger Process Patterns



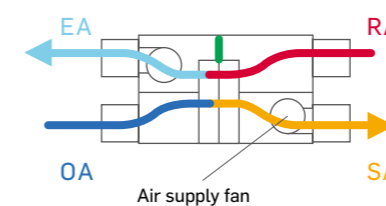
Heating Mode

Outdoor cold air and hot return air cross through the heat recovery element. The unit blows warmer air inside the ducts to the room.



Cooling Mode

Outdoor hot air and cold return air cross through the heat recovery element. The unit blows cooler air inside the ducts to the room.



Free Cooling Mode

Outdoor air passes without heat recovery treatment.



HRV

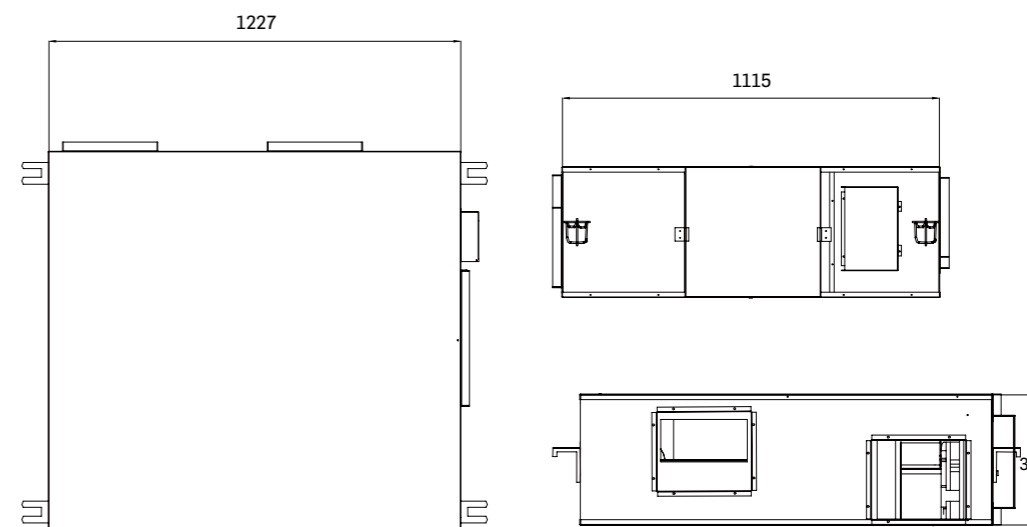
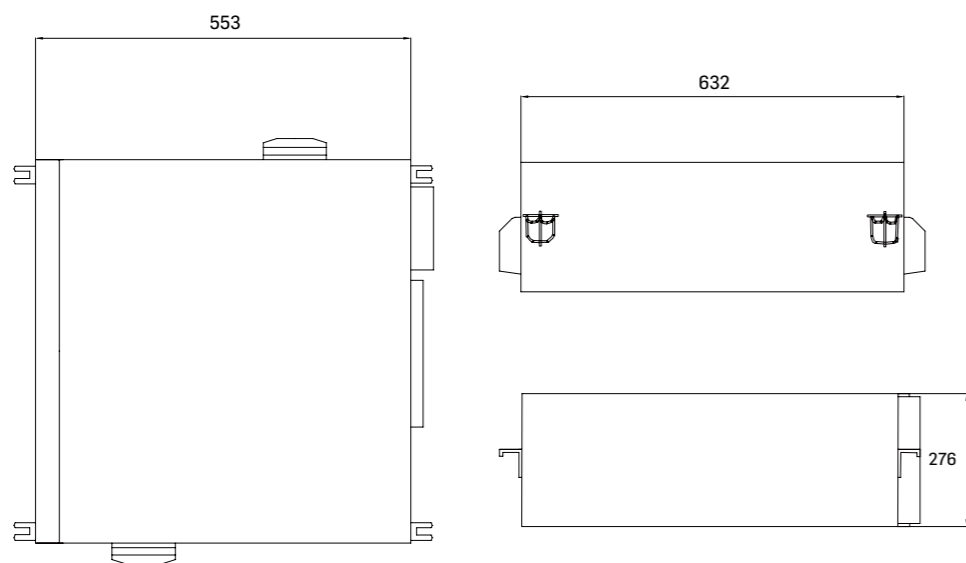


Indoor

Dimensions

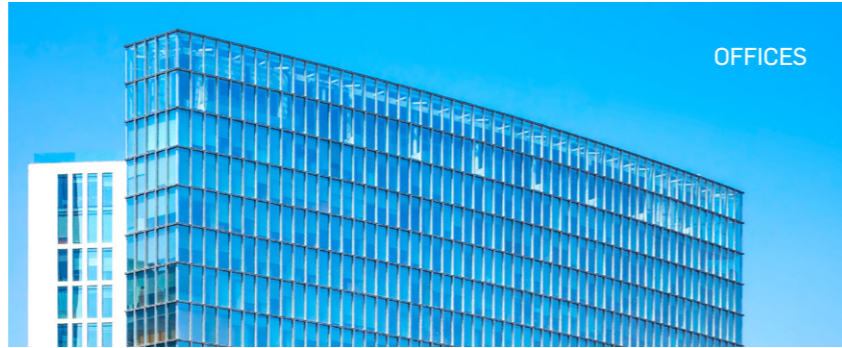
40VH015/026A-7G-QEE

40VH050/080/100A-7G-QEE





OFFICES



OFFICES



OFFICES



OFFICES



RETAIL

AHU DX KITS CONNECTION

- 139 TA CONTROL TYPE
- 141 DDC CONTROL TYPE
- 143 UNIT STRUCTURE



OFFICES



RETAIL



ADMINISTRATIONS



AHU Kit

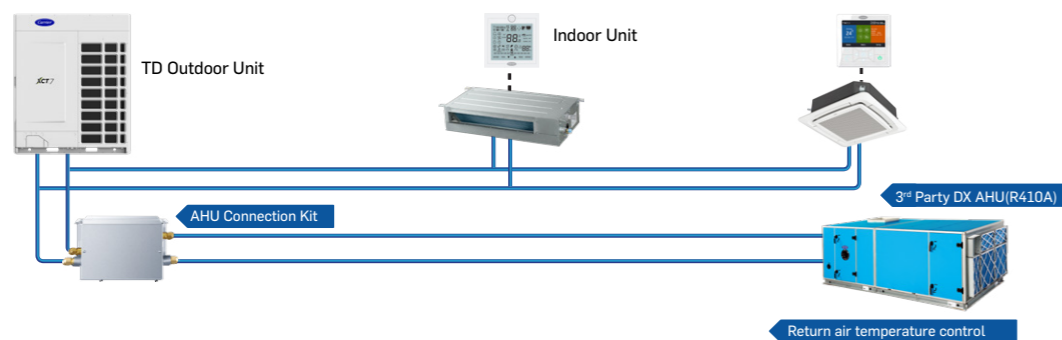


AHU DX Coil kit (TA Control)

Easy Installation

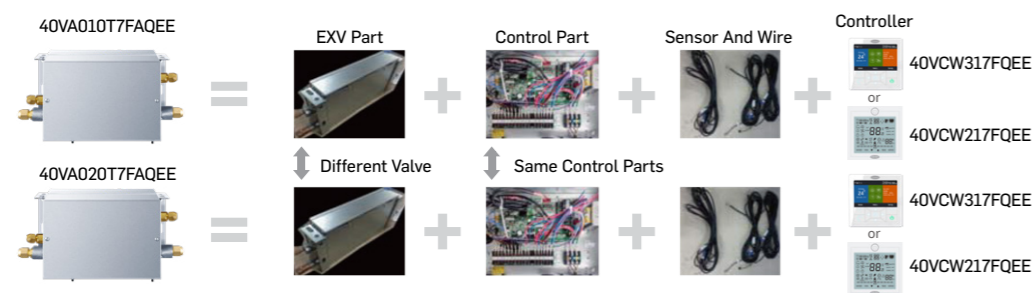
Carrier offers a range of connection kits to connect VRF outdoor units to 3rd party DX AHU (R410A)

- 2 connections are possible:
 - Mixed with VRF indoor units, AHU capacity should less than 30% of total capacity
 - AHU alone
- Combination Ratio between AHU & VRF ODU:
 - 90~110% for AHU alone
 - 50~110% with VRF IDU connection
- Compatible to XCT7 TD up to 60HP (3 kits)
- Compatible with all XCT7 VRF control solutions

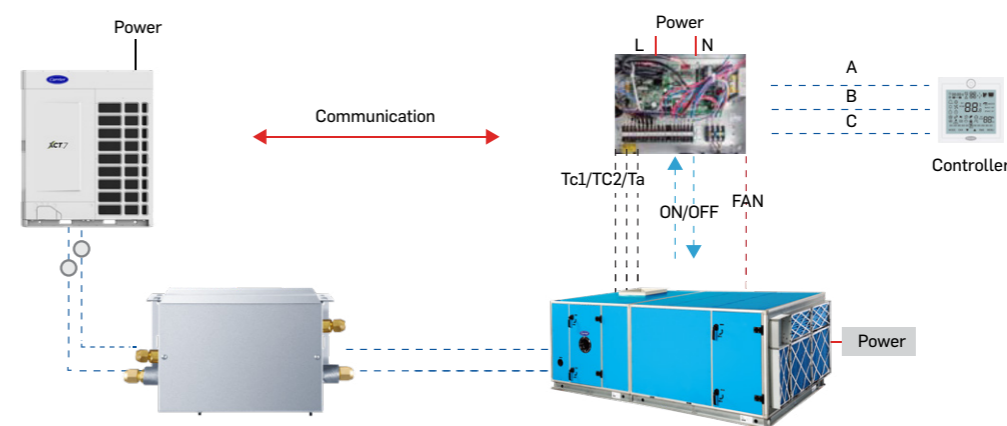


AHU Kit Configuration

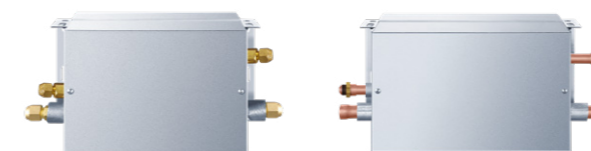
Carrier's AHU connection kit consists the following 4 parts, where controller is optional:



AHU Connection Kit Control



Specifications



Model	40VA010T7FAQEE	40VA020T7FAQEE
Connected AHU Capacity	14 ≤ x ≤ 28 kW (5-10 HP)	28 < x ≤ 56kW (10-20 HP)
Power Supply (Ph/V/Hz)	1/220-240/50/60	1/220-240/50/60
Dimensions (mm)(L x H x W)	(350 x 226 x 155)	(433 x 296 x 193)
Shipping Dimensions (mm)(L x H x W)	(606 x 295 x 209)	(667 x 365 x 249)
Material	Galvanized steel	Galvanized steel
Weight (kg)	6	8
Shipping Weight (kg)	10	13
Liquid Pipe (mm)	9.52 (Main) / 12.7	12.7 (Main) / 15.88
Gas Pipe (mm)	25.4 (Main) / 22.2 / 19.05	28.58 (Main) / 25.4 / 22.22
Pipe Connection Method	Flare connection and welding	Flare connection and welding
AHU Kit - AHU Coil Max Single Pipe Length (m)	5	5
AHU Kit - AHU Coil Max Height Difference (m)	5	5



AHU Kit

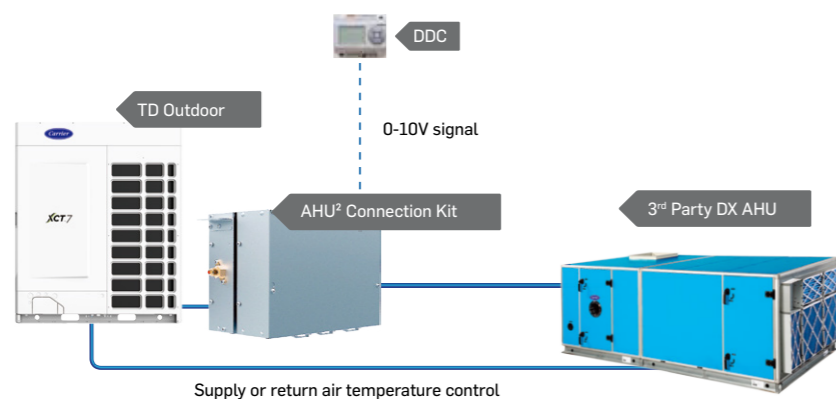


AHU DX Kit (DDC Control)

Easy Installation

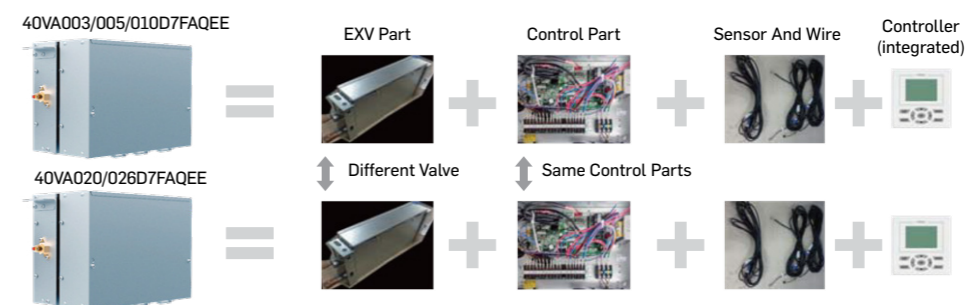
Carrier offers a range of connection kits to connect XCT7 outdoor units to 3rd party DX AHU, with DDC or TA control configuration

- 2 connections are possible:
 - Mixed with VRF indoor units, AHU capacity should less than 30% of total capacity
 - AHU alone
- Combination Ratio between AHU & VRF ODU:
 - 90~110% for AHU alone
 - 50~110% with VRF IDU connection
- Compatible to XCT7 top discharge up to 104HP(4 kits) & XCT7 side discharge (4 to 12 HP)
- Compatible with all XCT7 VRF control solutions



AHU Kit Configuration

Carrier 2nd generation AHU kit also contains the following 4 parts:



Control Solutions

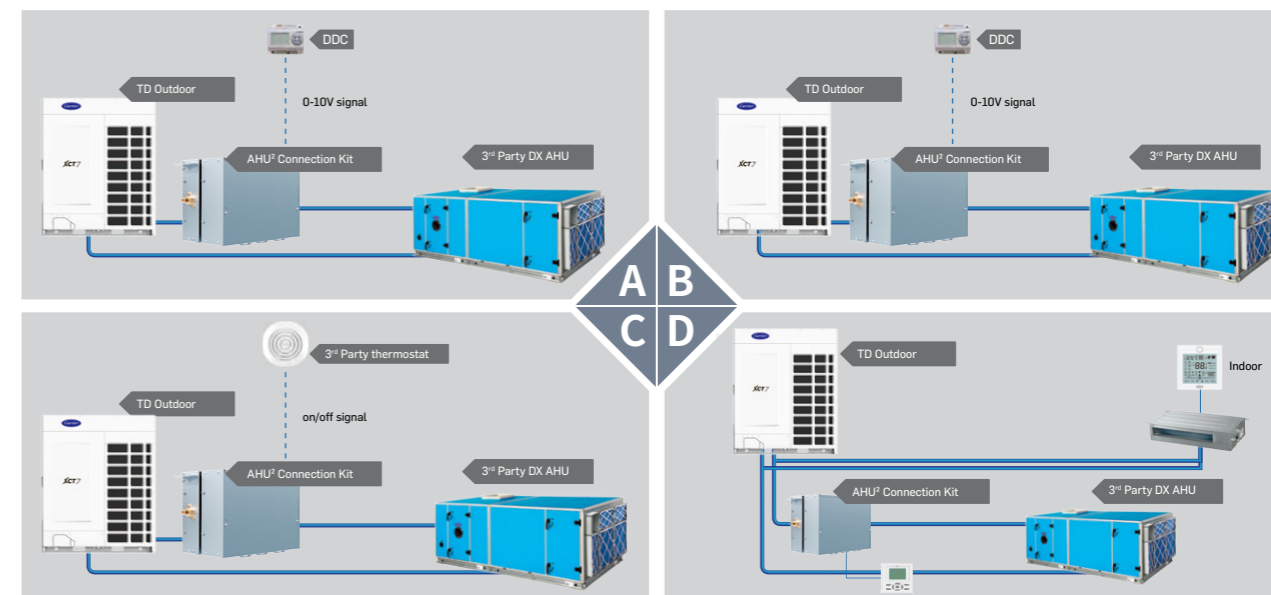
Four control methods can be used, which can be switched by dip switch based on the site scenario

Control solution for application with the 3rd party AHU with DDC controller

- Supply air temperature or return air temperature controllable
- Control AHU by temperature sensors and 0-10 V signal of DDC controller which is supplied locally
- Similar to B control solution, the difference is unproportional 0-10V algorithm for outdoor units capacity control

Control solution: For application with the 3rd party AHU with DDC controller

- Supply air temperature or return air temperature controllable
- Control AHU by temperature sensors and 0-10V signal of DDC controller which are supplied locally
- Similar to A control solution, more accurate temperature control than A



Control solution for application with 3rd party thermostat instead of DDC

- No additional DDC controller required
- Simple and cheap
- Indirect room temperature control

Control solution for system integrating 3rd part AHU with other VRF

- Control the AHU as a VRF indoor units



AHU Kit



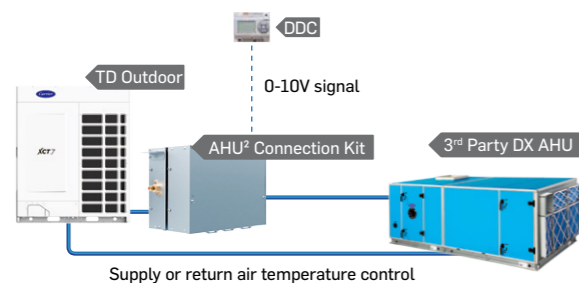
UNIT STRUCTURE

Features

- Extend the AHU connected capacity per kit, ranging from 3.5 kW to 73 kW, which can meet small, medium and large buildings demands
- Add the 0-10V signal control, for DDC configuration
- Supply air temperature or return air temperature controllable
- Remove the gas pipe, more convenient for installation
- Save space through compact design
- Compatible with XCT7 Heat pump TD up to 104 HP (4 kits) & XCT7 SD 4-12 HP (2 fan chassis)

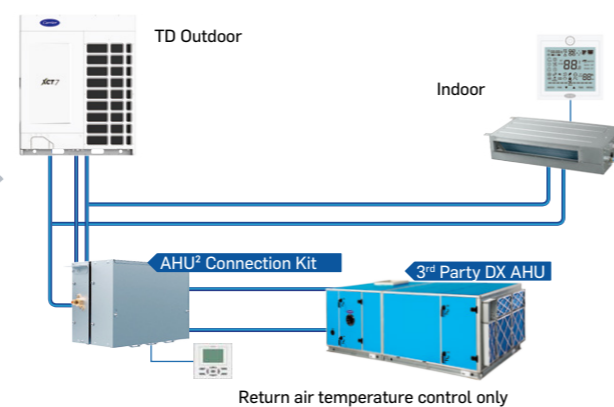
DDC or TA control

40VA_D7FAQEE



TA control only

40VA_T7FAQEE



VS

Specifications (DDC control)



40VA003D7FAQEE
40VA005D7FAQEE
40VA010D7FAQEE



40VA020D7FAQEE
40VA026D7FAQEE

Model	40VA003D7FAQEE	40VA005D7FAQEE	40VA010D7FAQEE	40VA020D7FAQEE	40VA026D7FAQEE
Connected AHU Capacity	3.5 ≤ x ≤ 7 kW (1-3HP)	7 < x ≤ 14 kW (3-5HP)	14 ≤ x ≤ 28 kW (5-10HP)	28 < x ≤ 56 kW (10-20HP)	56 < x ≤ 73 kW (20-26HP)
Power Supply (Ph/V/Hz)	1/220-240/50/60	1/220-240/50/60	1/220-240/50/60	1/220-240/50/60	1/220-240/50/60
Dimensions (mm)(L x H x W)	(420 x 260 x 165)	(420 x 260 x 165)	(420 x 260 x 165)	(420 x 260 x 215)	(420 x 260 x 215)
Shipping Dimensions (mm)(L x H x W)	(520 x 340 x 225)	(520 x 340 x 225)	(520 x 340 x 225)	(520 x 340 x 275)	(520 x 340 x 275)
Material	Galvanized Steel	Galvanized Steel	Galvanized Steel	Galvanized Steel	Galvanized Steel
Color	Grey	Grey	Grey	Grey	Grey
Weight (kg)	5.5	5.5	5.5	6.5	6.5
Shipping Weight (kg)	8.5	8.5	8.5	10	10
Liquid Pipe (mm)	9.52	9.52	9.52 (Main) / 12.7	12.7 (Main) / 15.88	15.88
AHU Kit – Indoor Units Max Single Pipe Length (m)	5	5	5	5	5
AHU Kit – Indoor units Max Drop (m)	5	5	5	5	5



CONTROLLER

- 151 INDIVIDUAL CONTROLLER
- 153 CENTRALIZED CONTROLLER
- 157 BMS

Individual Controller Features

Item	Infrared Controller	Infrared Controller	Wired Controller	Wired Weekly Time Controller	Wired Simple Controller	Remarks
Model	40VIC7FQSS	40VIC67FQEE	40VCW217FQEE	40VCW317FQEE	40VCW117FQEE	
picture						
Dimensions (W*H*D) mm	200 x 57x 29	200 x 57x 29	86 x 86 x 13.07	120 x 120 x 17.8	86 x 86 x 15.8	
Power Supply	Battery	Battery	12 V AC	12 V AC	12 V AC	
Connectivity	Max. IDUs Controllable	1	16	16	16	
	Max. Groups Controllable	1	1	1	1	
	On/Off	●	●	●	●	
Basic Control Function	Mode Setting	●	●	●	●	
	Auto-Heat-Cool-Fan-Dry	●	●	●	●	
	Auto-Cool-Fan-Dry	●	●	/	/	
	Fan Speed (Auto-Low-Mid-High)	●	●	● (5 fan speed)	● (5 fan speed)	
Basic Control Function	Temperature Setting	●	●	●	●	
	Airflow Direction — Up & Down	●	●	●	●	
	Airflow Direction — Left & Right	●	●	●	●	Whether the function is available depends on Indoor units.
	Precise Temp. Control	+/-0.5°C	+/-0.5°C	+/-0.5°C	+/-0.5°C	+/-0.5°C
Display	°F/°C	●	●	●	●	
	Set-point Temp. Display	●	●	●	●	
	Real Time Clock	●	●	●	●	/
	Day	/	/	/	●	/
Advanced Function	IDU Status Display, Including Qty Online, Standby or Running	/	/	●	/	
	Backlight	●	●	●	●	
	Sleep	●	●	●	●	/
	Child Lock	●	●	●	●	●
Advanced Function	Quiet	●	●	●	●	/
	Turbo	●	●	●	●	/
	Round-Way Cassette Blade Adjustment	●	●	●	●	/
	Human Sensor Function	●	●	●	●	/
	Electric Heater	●	/	●	●	/
	Control Lock(Under Central Controller)	/	/	●	●	●
	Temp. Range Limitation (For Energy Saving)	/	/	●	●	●
	Temp. Compensation	/	/	●	●	●
	Forced Cooling/Heating	/	/	●	/	●
	Screen Saving	/	/	●	●	●
	Screen Brightness Adjustment	/	/	/	●	/
	10°C Heating	●	/	●	●	/
Schedule/Timer	Timer On/Off	●	●	●	/	
	Weekly Schedule	/	/	/	●	/
	Forced Defrost	/	/	●	●	/
Installer Info.	Error Code	/	●	●	●	
	Filter Clean Indicator	/	/	●	●	●
	ESP Grades Adjustment	/	/	●	●	/
	Installer Setting	/	/	●	●	/
	Service Help	/	/	/	●	/
	Password	/	/	/	●	/
	Parameter Check	/	/	●	●	●
	Unit No. Setting	/	/	●	●	●
	Non Volatile Memory (Power Off Memory)	/	/	●	●	●
	Sensor Error Display	/	/	●	●	●

● With this function / Without this function

Centralized Controller & Local BMS Features

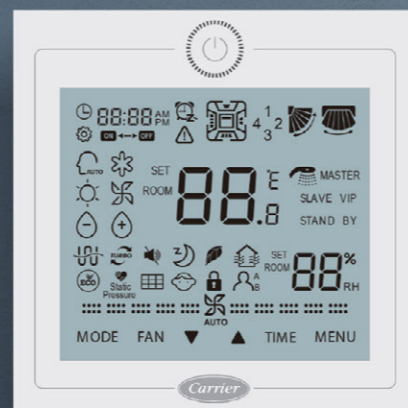
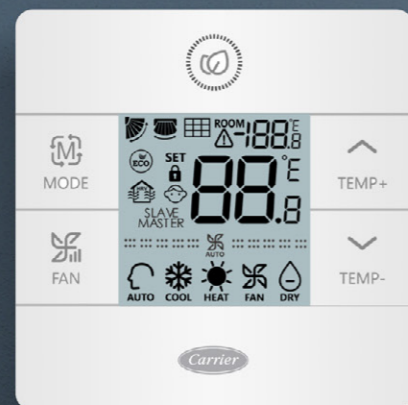
Item	Group Controller Touchscreen	Touchscreen Controller	Touchscreen Controller	Local Control	Remote monitoring
Model	40VCC837FQEE	40VCC617FQEE	40VCC727FQEE	40VCB117FQEE	40VCB217FQEE
picture					
Dimensions (W*H*D) mm	133 x103 x 17	190 x 130 x 20	302.5 x 187.7 x 25		137.25 x 260.5 x 69.2
Power Supply	12 V DC	12 V DC	12 V DC	/	AC 110-240
Connectivity	Max. Controllable IDUs	64	256	800	400
	Max. ODU System (Max. Gateway Qty)	32	32	32 x 2	32
Screen	Screen Type	TFT LCD	TFT LCD	TFT LCD	/
	Screen Dimension	5	7"	12.5	/
	Button Type	Full Touchscreen	Touch Button	Touch Button	/
	Backlight	●	●	●	/
Display	Screen Saver	●	●	●	/
	Screen Brightness Adjustment	●	●	●	/
	Indoor Temperature	●	●	●	●
	Clock And Day	●	●	●	●
Standard Control Function	°C/°F Switch	●	●	●	/
	General IDU Status Statistics Display	●	●	●	/
	On/Off	●	●	●	●
	Mode (Auto-Cool-Dry-Heat-Fan-Auto)	●	●	●	●
Central Control	Temperature Setting	●	●	●	●
	Precise Temp. Control 1°C/0.5°C	±1°C	±1°C	±1°C/±1°F	±1°C/±1°F
	Fan Speed (Auto-Low-Mid-High)	●	●	●	●
	Group (Zone) Control	●	●	●	●
Shedule	One Button For All On/Off	●	●	●	●
	Group (Zone) Name Setting	●	●	●	●
	Group (Zone) Name Display	●	●	●	●
	Daily	●	●	●	●
Electricity Data Management	Weekly	●	●	●	●
	Special Day	●	●	●	●
	Schedule Programs Qty	32	32	100	No Limit
	Electricity Bill	/	/	/	●
Advanced Function	Historical Electricity Data	/	/	/	●
	Historical Electricity Data Curve	/	/	/	●
	Child Lock	●	●	/	/
	Control Mode (LIFI/Central/Lock)	●	●	●	●
	ECO (Set temp. Range Limit)	●	●	●	/
	Unit/Groups Setting	●	●	●	●
	IDU No. Display	●	●	●	●
	Unit Running Time Display	●	●	/	●
	Unit Running Curve	/	/	/	●
	IDU Parameter Display	●	●	●	●
HRV Control	Working Mode (Cool Only/Heat Only/No Limit)	●	●	●	●
	Floor Layout (Floor Navigation)	●	/	●	●
	HRV ON/OFF	●	●	/	/
	HRV Fan (Low Air Exchange-High Air Exchange-Low-High)	●	●	/	/
Installer Info.	Password	●	●	●	●
	Error Code	●	●	●	●
	Error Record Check	●	●	●	●
	Parameter Inquiry	●	●	●	●
User Account Management	Reset	●	●	●	●
	Detailed IDU Parameters Display	/	/	●	●
Control Type	User Info.	/	/	●	●
	User Account Management Level	/	/	●	●
Communication	Local Control Panel	●	●	●	●
	PC Version	/	/	●	●
	Input	RS-485 1CH	RS-485 1CH	RS-485 5CH	RS-485 1CH
Protocol	Output	RS-485 1CH	RS-485 1CH	RS-485 1CH	TCP IP
	Fire Alarm Linkage	●	●	●	/
	Modbus Rtu	Modbus Rtu	Modbus Rtu	Modbus Rtu	Modbus IP or Bacnet IP

● With this function / Without this function

Adapters & BMS Gateway Features

Item		Protocol Adapter & Electricity Data	Protocol Adapter	Lonworks™ Gateway	KNX® Gateway	BACnet® Gateway
Model		40VCBM17FQEE	40VCCR17FQEE	40VCBL17FQEE	40VCBK17FQEE 40VCBK27FQEE 40VCBK37FQEE	40VCBB17FQEE
Protocol		Modbus Rtu	Modbus Rtu	Lonworks™	KNX®	BACnet® IP
Picture						
Power Supply		220 V AC	With 12 V DC transformer	24 V DC	29 V DC	AC and DC rated voltage 24 V, working range 12 V to 24 V
Dimensions (W*H*D) mm		200 x 130 x 43	125 x 120 x 40	90 x 70 x 22	70 x 70 x 28	142 x 91 x 35
Communication Port-Input	AC Port (PQ Connection)	1	1			
	RS485			1ch	1ch	2ch
	Pulse Port	1				
Communication Port-Output	RS485	1ch (3 rd party Or 40VCB117FQEE, 40VCB217FQEE)	RS485 2ch (for central controller or 3 rd party 1ch; for 40VCB117FQEE, 40VCB217FQEE)			
	RS485 For Lonworks Protocol Device			1ch		
	Bacnet IP					1
	KNX				KNX port plug-in terminal block(2 poles)	
Operation Temp.		-30-52°C	-20-70°C	-20-70°C	0-60°C	-20-70°C
Stock Temp.		-30-52°C	-40-85°C	-40-85°C	-20-85°C	-40-85°C
Operational Humidity		10%-85%	5-90% (non-condensing)	5-90% (non-condensing)	<90%,RH, non-condensing	5-90% (non-condensing)
Stock Humidity		10%-85%	5-95% (non-condensing)	5-95% (non-condensing)	<90%,RH, non-condensing	5-95% (non-condensing)
Function Description		Converter homebus to Modbus And Electricity collection and distribution function must connect this adapter.	Converter homebus to Modbus For SD ODU	For SD ODU Works with 40VCCR17FQEE to converter Modbus to Lonworks™	For SD ODU Works with 40VCCR17FQEE to converter Modbus to KNX®	For SD ODU Works with 40VCCR17FQEE to converter Modbus to BACnet® IP





Controller



INDIVIDUAL CONTROLLER



40VCI67FQEE(40VIC17FQSS) Wireless Remote Controller

- Basic function: On/off, mode, fan speed, temperature setting, swing
- Turbo, quiet
- Individual louver control for MINI 4-way cassette and Round Flow 4-way cassette
- Clock & timer
- Follow/evade function
- Celsius to fahrenheit



40VIC17FQEE Infrared Receiver

- For duct units



40VCW117FQEE Simple Wired Controller

- Alternating current
- Basic function: on/off, mode, fan speed, temperature
- Individual & group controller (max 16 indoor units)
- Simple and smart design, 86*86*15.80mm
- Could receive wireless controller signal



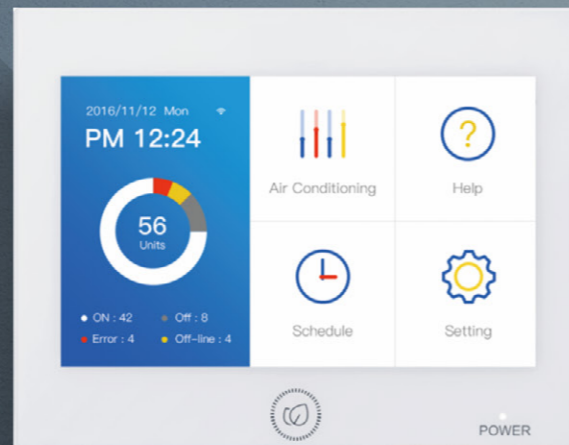
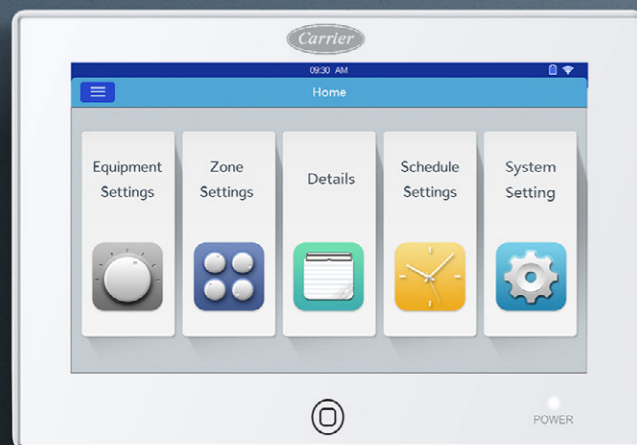
40VCW217FQEE Standard Wired Controller

- Basic function: on/off mode, 5 fan speed, temperature setting, swing
- Individual & group control (max. 16 indoor units)
- Simple and smart design, 86*86*13.05 mm
- Touch button with back light
- Timer/clock
- Easy installation
- Individual louver control for Round Flow 4-way cassette



40VCW317FQEE Wired Weekly Timer

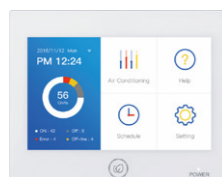
- Colorful screen
- Basic function: on/off mode, fan speed, temperature setting, swing
- Individual & group control (max. 16 indoor units)
- Fahrenheit/ Celsius selectable; sensitivity $\pm 0.5^{\circ}\text{C}$ ($\pm 1^{\circ}\text{F}$)
- Weekly timer
- Individual louver control for Round Flow 4-way cassette
- Static pressure setting



Controller



CENTRALIZED CONTROLLER



40VCC837FQEE Group Controller Touchscreen

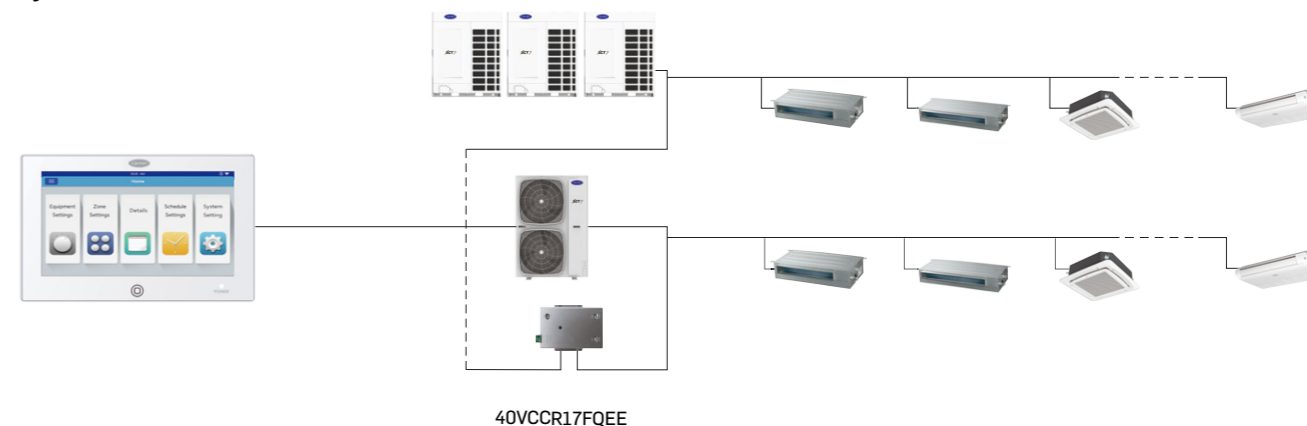
- Individual control, group control & central control
- Max. 32 systems, max. 64 indoor units
- schedule: daily/weekly/special day
- Flexible group management
- Energy saving: temperature limitation
- HRV control & monitoring
- Fire alarm interlocking
- Modbus RTU protocol for 3rd party BMS output
- Must be used in combination with 40VCCR17FQEE for SD ODU

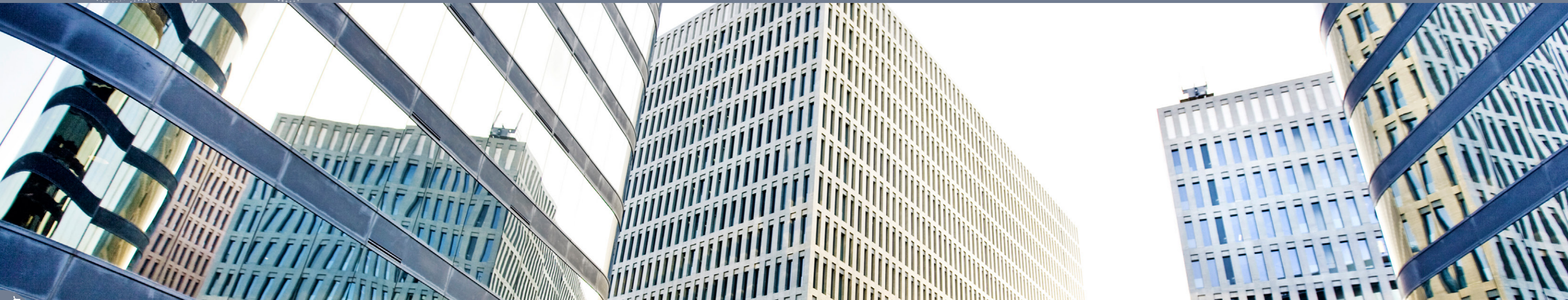


40VCC617FQEE Touchscreen Controller

- Individual control, group control & central control (Max. 256 indoor units)
- 7 inch TFT LCD touch screen with back light
- Weekly timer
- Indoor units' information editable
- Error display
- XCT7 TD system can connect directly; other SD systems require 40VCCR17FQEE

40VCC617FQEE System





Controller



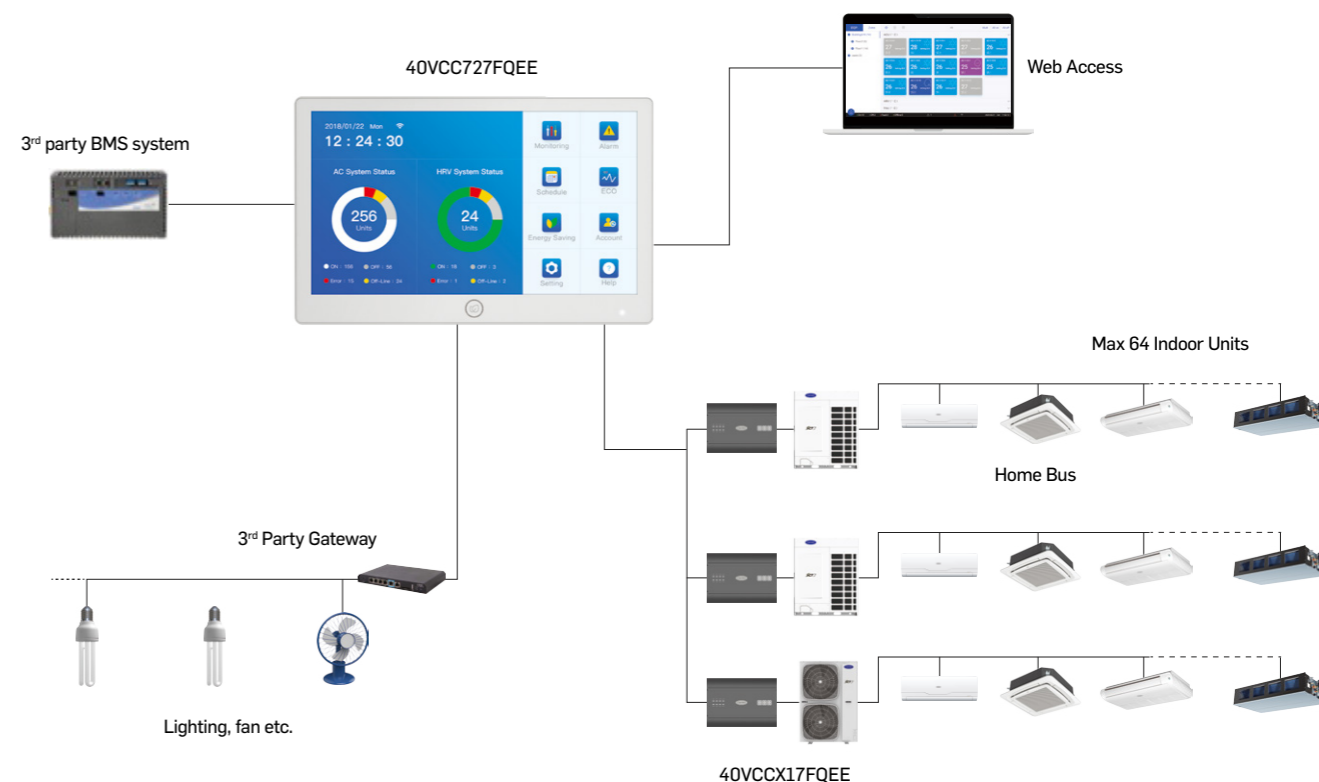
CENTRALIZED CONTROLLER

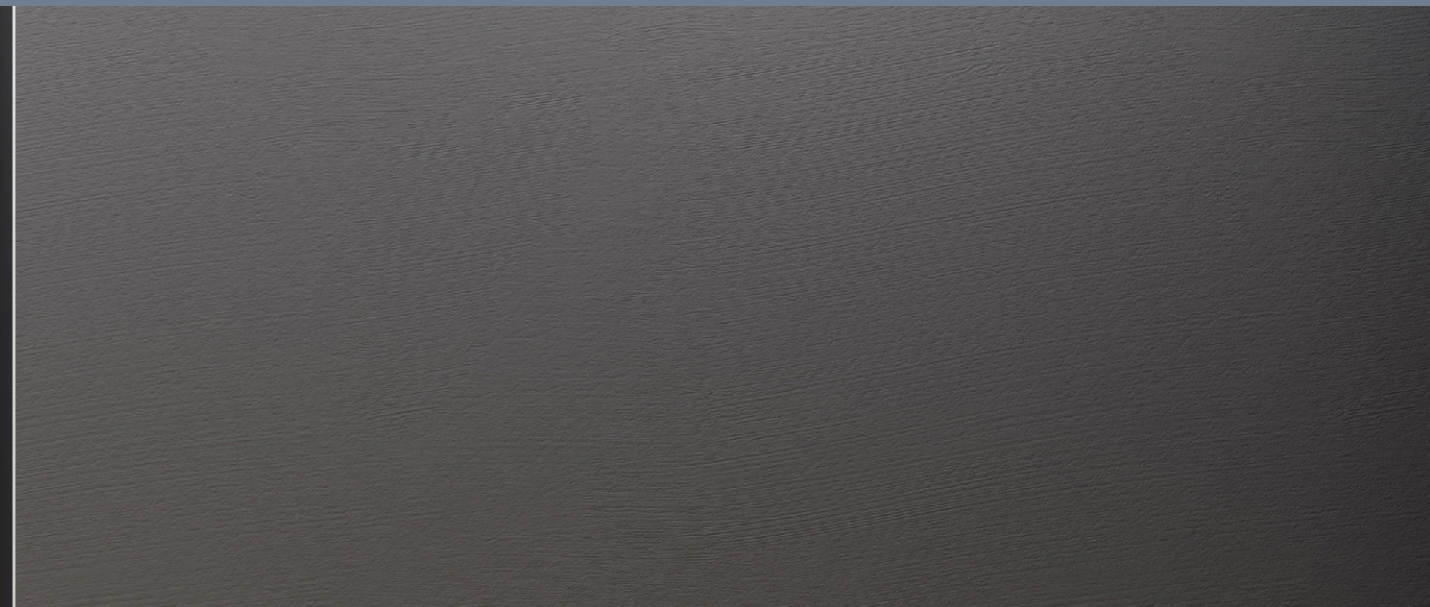
40VCC727FQEE



40VCC727FQEE Touchscreen Controller

- Individual control, group control & central control (Max 800 indoor units)
- 12.5 inch TFT LCD touch screen
- Web access & e-mail alarm
- Weekly schedule & special day setting
- Floor plan layout view
- Can integrate 3rd party devices like fire alarm, fan, lighting, other than XCT7 indoor units
- * Must be used in combination with a 40VCCX17FQEE for each XCT7 system (Max. 64 indoor units)





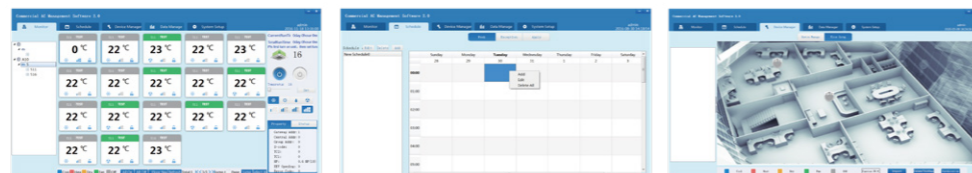
Controller

BMS - LOCAL CONTROL

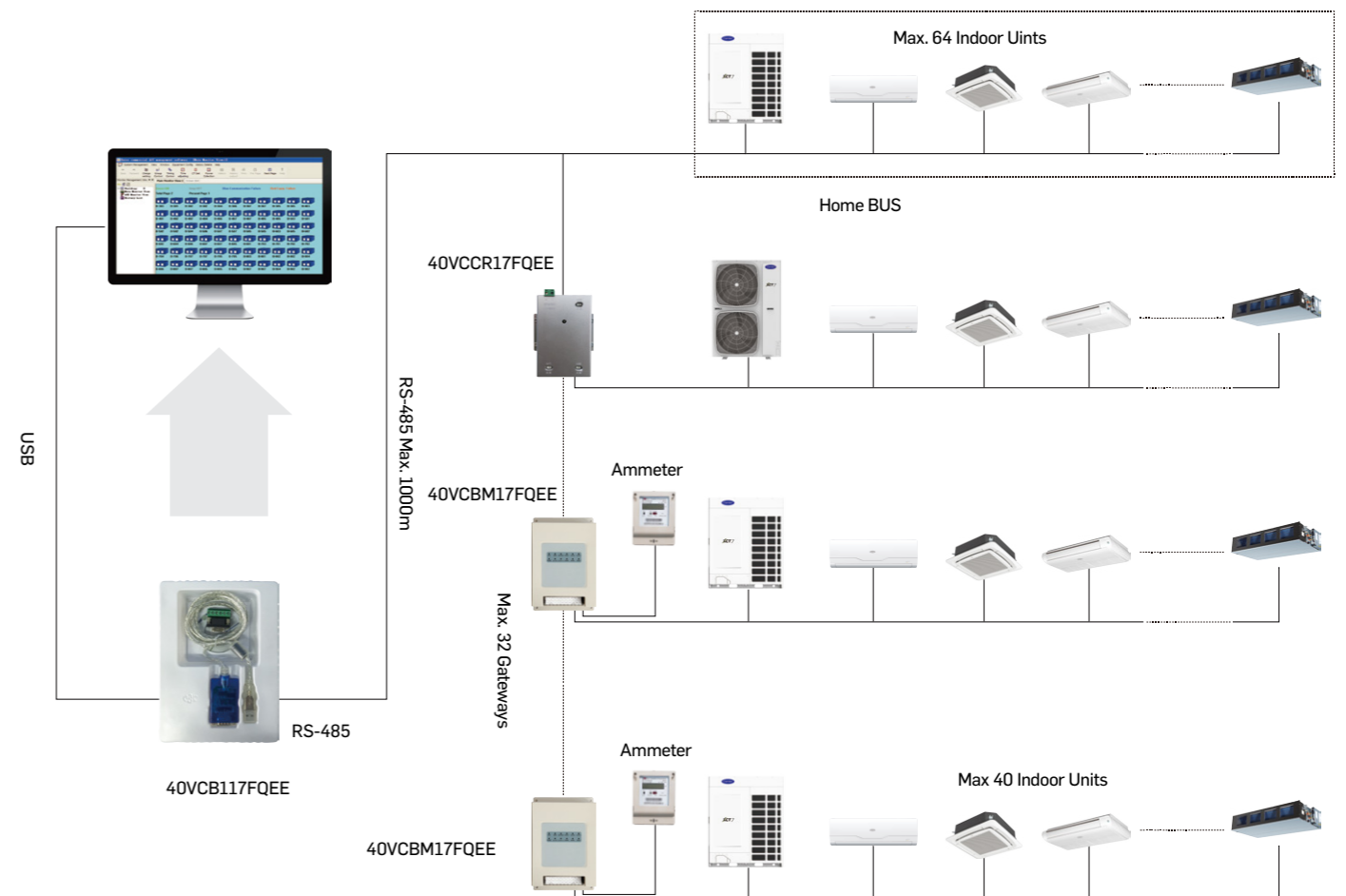


40VCB117FQEE

- Local version or PC version; Convert RS-485 to USB
- Max. 400 indoor units can be controlled
- ModBus RTU interface, also supports 3rd party interface
- Win 7 32bits/64bits, Win 8 Pro, Win 10 Pro
- Max. 32 systems
- Each SD system requires one 40VCCR17FQEE
- Schedule setting
- Power consumption report (must use 40VCBM17FQEE)
- Data monitoring & control function



40VCB117FQEE System





Controller

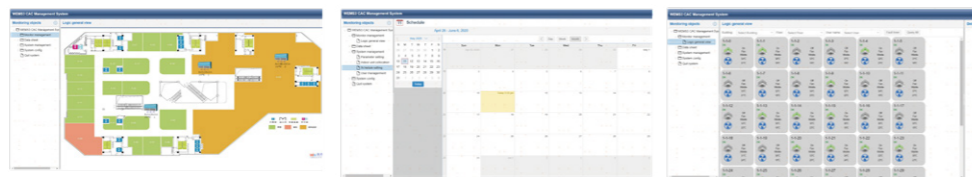


BMS - REMOTE MONITORING

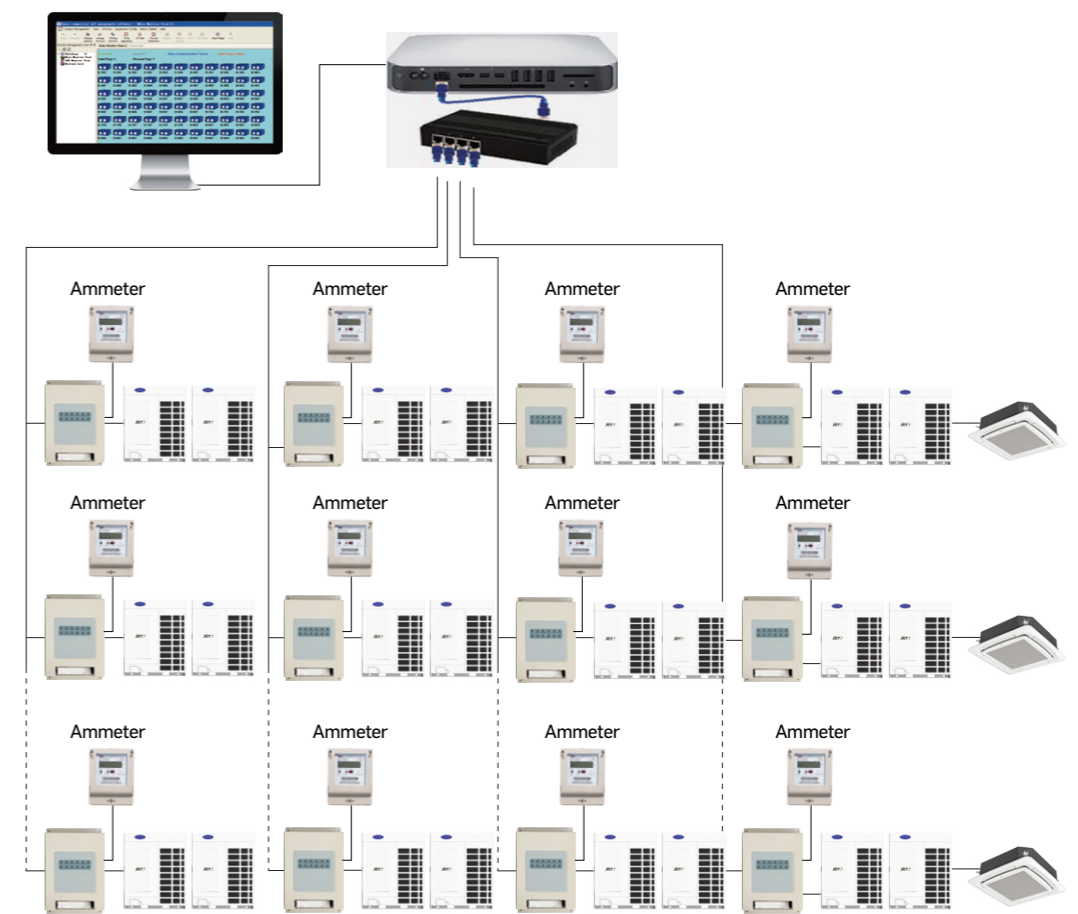


40VCB217FQEE

- Remote monitoring version supports also third party interface: BACnet ip/Modbus ip/Modbus RTU
- Max. 1500 indoor units can be controlled
- Max. 4 groups. each group can connect 20 systems. If TD CDU, additional adapter is not required. If SD ODU, 40VCCR17FQEE is needed.
- Operation status setting & monitoring
- Schedule setting
- Multi-user management with different authorized levels
- Operation and error history log
- Web interface access
- Power consumption data & report only available if using 40VCBM17FQEE + Ammeter



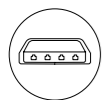
40VCB217FQEE System



40VCBM17FQEE



Controller



BMS GATEWAYS



40VCBL17FQEE

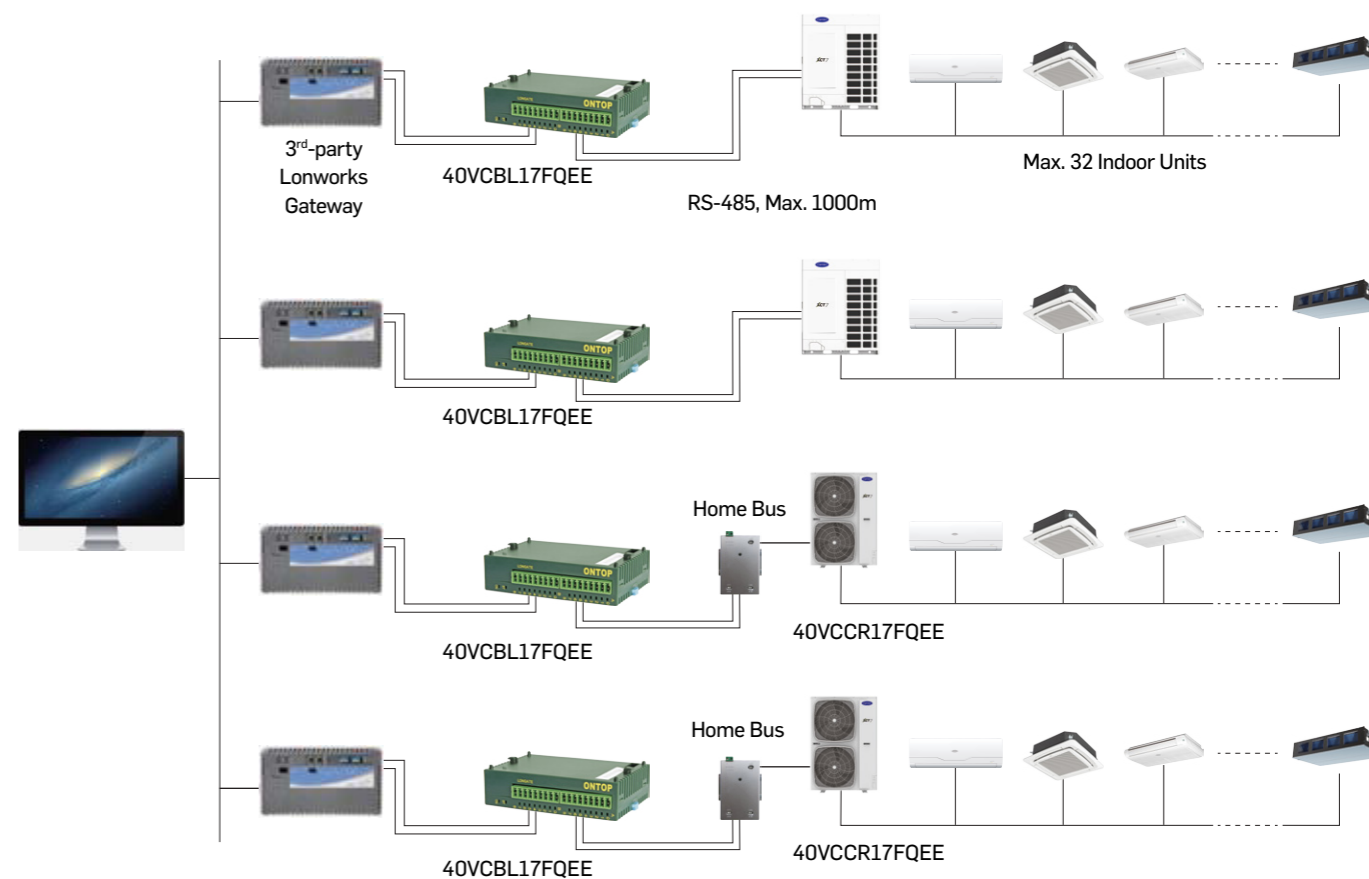
- 40VCBL17FQEE, convert ModBus RTU to BACnet® IP
- Each system requires one adapter 40VCBL17FQEE (combine with 40VCCR17FQEE if outdoor unit is XCT7)
- Max. 32 indoor units can be connected in one system
- External 24 V DC power supply is needed



40VCBB17FQEE

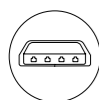
- Protocol adapter, convert Modbus to BACnet® IP
- Max. 128 indoor units/ 4 systems can be controlled
- Operation status setting & monitoring
- Schedule setting
- Multi-user management
- 40VCCR17FQEE is required for SD outdoor units

LonWorks System





Controller



BMS PROTOCOL ADAPTERS



40VCBK17FQEE(8 IDU) 40VCBK27FQEE(16 IDU)
40VCBK37FQEE(64 IDU)

- KNX gateway
- Convert ModBus RTU to KNX
- Each side discharge ODU requires one KNX gateway + 40VCCR17FQEE
- Max.8/16/64 indoor units can be connected in one system



40VCCR17FQEE

- Protocol adapter, convert home bus to RS-485
- Gateway: ModBus RTU
- Max. 64 indoor units can be connected with one 40VCCR17FQEE
- Side discharge XCT7 requires one 40VCCR17FQEE when connecting with centralized controller or BMS system

ModBus model No.	No. of I.U. controllable	Installation Method	Compatible O.U. Type
40VCCR17FQEE	64	Outside the O.U.	Side and Top discharge O.U.



40VCBM17FQEE

- Protocol adapter, convert home bus to ModBus
- Power consumption data collection, and storage (requires 3rd party ammeter)
- Match with local BMS (40VCB117FQEE, 40VCB217FQEE), each system requires one adapter
- Max. 40 indoor units can be connected with one 40VCBM17FQEE Gateway

Controllers Match Table for Indoor Units

Outlook	Series	40VCI67FQEE	40VCI7FQSS	40VCW217FQEE	40VCW317FQEE	40VCW117FQEE
	ONE-WAY CASSETTE	●	●	●	●	●
	TWO-WAY CASSETTE	●	●	●	●	●
	COMPACT FOUR-WAY CASSETTE	●	●	●	●	●
	FOUR-WAY CASSETTE	●	●	●	●	●
	ROUND-WAY CASSETTE	●	●	●	●	●
	SLIM DUCT	●	●	●	●	●
	STANDARD STATIC DUCT 50/100 PA	●	●	●	●	●
	MEDIUM STATIC DUCT 50/120 PA	●	●	●	●	●
	HIGH STATIC DUCT 100/196 PA	●	●	●	●	●
	HIGH STATIC DUCT 0/250 PA	●	●	●	●	●
	HIGH WALL	●	●	●	●	●
	TWO-WAY CONSOLE	●	●	●	●	●
	CONSOLE-RECESSED	●	●	●	●	●
	FLEX CEILING FLOOR DC	●	●	●	●	●
	OUTSIDE AIR UNIT			●	●	●

● Controllers match with the indoor unit



Control Systems

BMS

Centralized Controller

Individual Controller



40VCC837FQEE 40VCC617FQEE 40VCC727FQEE



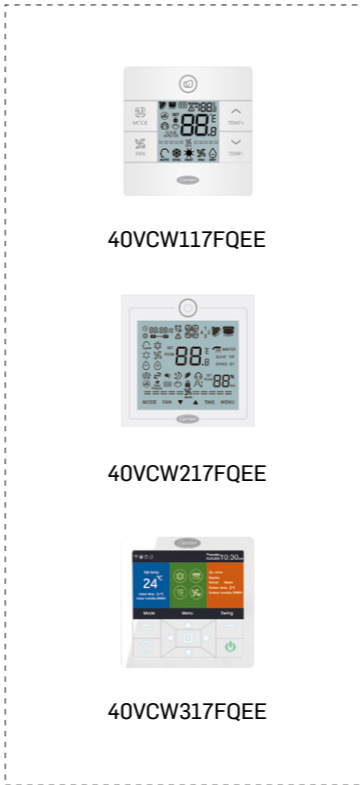
40VCB117FQEE
40VCB217FQEE



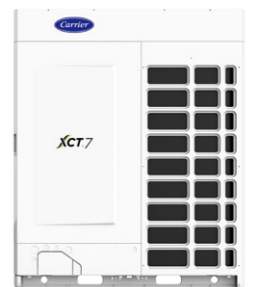
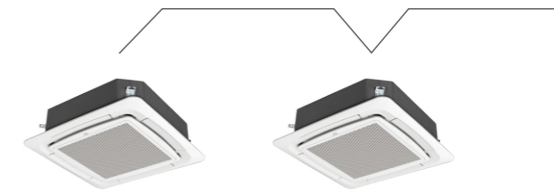
40VCCR17FQEE 40VCBB17FQEE
40VCBK17FQEE 40VCBK27FQEE 40VCBK37FQEE
40VCBL17FQEE



40VCI67FQEE 40VIC7FQSS



40VCW117FQEE
40VCW217FQEE
40VCW317FQEE



Controller



Softwares

Carrier Selection Software-Easy to Design and Customization

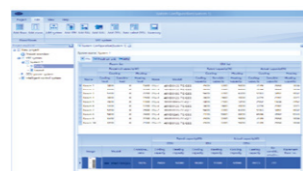
With the Carrier XCT7 Selection software, engineers and consultants can easily design, layout and prepare a full VRF system for quotation in a few steps. It selects the right models to meet your building load requirements and calculates the piping schematic automatically or manually, as well as the wiring. It's possible to import dwg or jpg drawings. The selection software guides you within design rules and offers a comprehensive system design report under pdf, Word or excel format.



Launch Page



System Layout Page



System Configuration Page



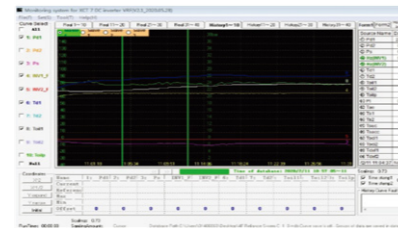
Complete Report Page

Carrier Service Tool- Easy to Monitor Your System

Installers and contractors will appreciate the Carrier service tool to monitor the XCT7 VRF systems operation data. Thanks to the 40VCTOOLQEE interface accessory, you can retrieve the VRF system information from the Outdoor Unit. You can then read the running parameters on your computer and analyze them for troubleshooting in the field or save the data for further analysis.



40VCTOOLQEE
Part No. 1148199682



Service, Support & Product Training

Customer Focus

As your preferred partner, Carrier designs tailored Service programs to meet your goals and optimize your business performance.

Proximity & Responsiveness

Carrier expert technicians are there to take action, quickly. The comprehensive and highly efficient maintenance processes mean your equipment will soon be back in action.

Expertise & Consultancy

Your Carrier experts can help you find the right balance between energy efficiency and your investment's optimization with our wide choice of technologies and solutions. Thanks to the expertise of our internal team, we are able to offer the highest level of consultancy.

Software

Accessories



ACCESSORIES

- 171 HEAT PUMP - ODU PIPING CONNECTION ACCESSORIES
- 172 HEAT PUMP - IDU PIPING CONNECTION ACCESSORIES

Shape	Model	Description
Piping accessory for ODU connection		
	40VJ052G7-HQEE	For two outdoor units combination at installation location
	40VJ078G7-HQEE	For three outdoor units combination at installation location
	40VJ078G7-HQEE +40VJ072M7-HQEE	For four outdoor units combination at installation location
Piping accessory for IDU connection		
	40VJ012M7-HQEE	< 33.5 kW
	40VJ018M7-HQEE	33.5 < < 50.6kW
	40VJ026M7-HQEE	50.6 < < 73kW
	40VJ048M7-HQEE	73 < < 135kW
	40VJ072M7-HQEE	135 < < 204kW
<p>Drain Pump</p>	40VAD096P7FQEE	Compatible with outside air unit (40VD_A-7G-QEE)
		Compatible with medium static duct AC (40VD_R-7G-QEE)
		Compatible with high static duct AC (40VD_H-7G-QEE)

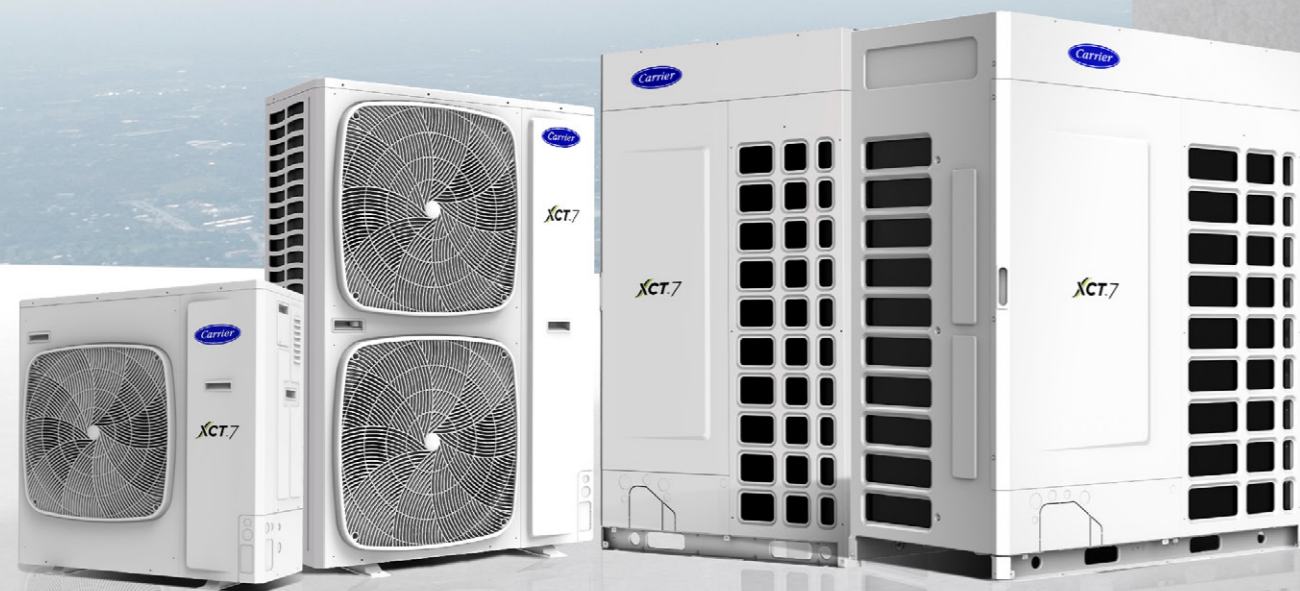
Piping accessory for ODU connection

Piping accessory for IDU connection

Model Name	Side	Gather Pipe	Connection of Gather Pipe
40VJ052G7-HQEE	Suction gas side		
	Liquid side		
40VJ078G7-HQEE	Suction gas side		
	Liquid side		

Model	Gas Side Branch Pipe	Liquid Side Branch Pipe	Gas Side Connection of Branch Pipe	Liquid Side Connection of Branch Pipe
40VJ012M7-HQEE				
40VJ018M7-HQEE				
40VJ026M7-HQEE				
40VJ048M7-HQEE				
40VJ072M7-HQEE				

PRODUCT OVERVIEW



ICON LIST

- | | | | |
|---|--|--------------------------------------|--|
| Ultimate Reliability | Easy installation & access & fix & maintenance | Advanced technology | AHU DX coil kit (TA Control) |
| Enhanced System Performance | One button trial operation | Less Brazing Refrigerant Accessories | Unit structure |
| High-Efficiency | Powerful heating | Advanced separator | Individual controller |
| Compact design & ultra-thin design & space saving
Incredible Flexibility | Knockout hole for outside fresh air | Fan motor | Centralized controller |
| Wide range of capacity | Large operating range | Built-in drain pump | BMS-Local control |
| Wide Range of Options | Bottom or rear air return | Administrations | BMS gateways |
| Superior comfort | Independent or flexible control of the air flow | Offices | Control systems |
| Low sound level | Static pressure setting | Hotels | Can be installed with or without discharge & return plenum |
| Effective control of the temperature | Light air resistance | Retail | Hidden installation for a clean and sophisticated appearance |
| Independent 220v power | PM 2.5 filter available | Healthcare | Flexible discharge duct connection |
| Automatic display of fault codes | Advanced Black Fin Technology | Individual and collective housing | Multiple direction for connection pipe setting |
| Unique design | Reliable multi-layer oil return technology | Pipe Liner | Cooling |
| Round corner design | Advanced compressor anti-liquid-shock technology | Rear & bottom inlet | Heating |